

Programming Guide
AC Power Solutions
Agilent Models 6811B, 6812B, 6813B
6814B, 6834B, and 6843A



Agilent Technologies

Agilent Part No. 5962-0889
Microfiche No 6962-0890

Printed in U.S.A.
December, 1998
Update April 2000

Safety Summary

The beginning of the ac source User's Guide has a Safety Summary page. Be sure you are familiar with the information on this page before programming the ac source from a controller.

WARNING: ***ENERGY HAZARD.*** Ac sources can supply 425 V peak at their output. **DEATH** on contact may result if the output terminals or circuits connected to the output are touched when power is applied.

Printing History

The edition and current revision of this manual are indicated below. Reprints of this manual containing minor corrections and updates may have the same printing date. Revised editions are identified by a new printing date. A revised edition incorporates all new or corrected material since the previous printing date. Changes to the manual occurring between revisions are covered by change sheets shipped with the manual.

This document contains proprietary information protected by copyright. All rights are reserved. No part of this document may be photocopied, reproduced, or translated into another language without the prior consent of Agilent Technologies. The information contained in this document is subject to change without notice.

© Copyright 1996-1998, 2000 Agilent Technologies, Inc.

Edition 1 _____ August, 1996
Edition 2 _____ March, 1997
Edition 3 _____ December, 1998
Update _____ April, 2000

Table of Contents

| | |
|---|-----------|
| Safety Summary | 2 |
| Printing History | 2 |
| Table of Contents | 3 |
| 1 - GENERAL INFORMATION | 11 |
| About this Guide | 11 |
| Earlier AC Source Models | 11 |
| Documentation Summary | 11 |
| External References | 12 |
| SCPI References | 12 |
| GPIB References | 12 |
| Agilent VXIplug&play Power Products Instrument Drivers | 12 |
| Supported Applications | 12 |
| System Requirements | 13 |
| Downloading and Installing the Driver | 13 |
| Accessing Online Help | 13 |
| 2 - INTRODUCTION TO PROGRAMMING | 15 |
| GPIB Capabilities of the AC Source | 15 |
| GPIB Address | 15 |
| RS-232 Capabilities of the AC Source | 15 |
| RS-232 Data Format | 15 |
| Baud Rate | 15 |
| RS-232 Programming Example | 16 |
| RS-232 Troubleshooting | 16 |
| Introduction to SCPI | 17 |
| Conventions Used in This Guide | 17 |
| Types of SCPI Commands | 17 |
| Types of SCPI Messages | 17 |
| The SCPI Command Tree | 18 |
| The Root Level | 18 |
| Active Header Path | 18 |
| The Effect of Optional Headers | 19 |
| Moving Among Subsystems | 19 |
| Including Common Commands | 20 |
| Using Queries | 20 |
| Coupled Commands | 20 |
| Structure of a SCPI Message | 20 |
| The Message Unit | 20 |
| Combining Message Units | 21 |
| Headers | 21 |
| Query Indicator | 22 |
| Message Unit Separator | 22 |
| Root Specifier | 22 |
| Message Terminator | 22 |
| SCPI Data Formats | 23 |
| Numerical Data Formats | 23 |
| Suffixes and Multipliers | 23 |
| Character Data | 23 |

| | |
|---|-----------|
| System Considerations | 24 |
| Assigning the GPIB Address in Programs | 24 |
| Types of DOS Drivers | 24 |
| Error Handling | 25 |
| Agilent BASIC Controllers | 25 |
| | |
| 3 - LANGUAGE DICTIONARY | 27 |
| Introduction | 27 |
| Subsystem Commands | 28 |
| Calibration Subsystem Commands | 29 |
| Subsystem Syntax | 29 |
| CALibrate:CURRent:AC | 29 |
| CALibrate:CURRent:MEASure | 30 |
| CALibrate:DATA | 30 |
| CALibrate:IMPedance | 30 |
| CALibrate:LEVel | 30 |
| CALibrate:PASSword | 31 |
| CALibrate:PWM:FREQuency | 31 |
| CALibrate:PWM:RAMP | 31 |
| CALibrate:SAVE | 31 |
| CALibrate:STATe | 32 |
| CALibrate:VOLTage:AC | 32 |
| CALibrate:VOLTage:DC | 32 |
| CALibrate:VOLTage:OFFSet | 33 |
| CALibrate:VOLTage:PROTection | 33 |
| CALibrate:VOLTage:RTIME | 33 |
| Display Subsystem Commands | 34 |
| Subsystem Syntax | 34 |
| DISPlay | 34 |
| DISPlay:MODE | 34 |
| DISPlay:TEXT | 34 |
| Instrument Subsystem | 35 |
| Subsystem Syntax | 35 |
| INSTrument:COUPlE | 35 |
| INSTrument:NSElect INSTrument:SElect | 36 |
| Measurement Subsystem (Arrays) | 37 |
| Subsystem Syntax | 37 |
| MEASure:ARRAy:CURRent? FETCh:ARRAy:CURRent? | 37 |
| MEASure:ARRAy:CURRent:HARMonic? FETCh:ARRAy:CURRent:HARMonic? | 38 |
| MEASure:ARRAy:CURRent:HARMonic:PHASe? FETCh:ARRAy:CURRent:HARMonic:PHASe? | 38 |
| MEASure:ARRAy:CURRent:NEUTral? FETCh:ARRAy:CURRent:NEUTral? | 39 |
| MEASure:ARRAy:CURRent:NEUTral:HARMonic? FETCh:ARRAy:CURRent:NEUTral:HARMonic? | 39 |
| MEASure:ARRAy:CURRent:NEUTral:HARMonic:PHASe? | |
| FETCh:ARRAy:CURRent:NEUTral:HARMonic:PHASe? | 40 |
| MEASure:ARRAy:VOLTage? FETCh:ARRAy:VOLTage? | 40 |
| MEASure:ARRAy:VOLTage:HARMonic? FETCh:ARRAy:VOLTage:HARMonic? | 41 |
| MEASure:ARRAy:VOLTage:HARMonic:PHASe? FETCh:ARRAy:VOLTage:HARMonic:PHASe? | 41 |
| Measurement Subsystem (Current) | 42 |
| Subsystem Syntax | 42 |
| MEASure:CURRent? FETCh:CURRent? | 42 |
| MEASure:CURRent:AC? FETCh:CURRent:AC? | 43 |
| MEASure:CURRent:ACDC? FETCh:CURRent:ACDC? | 43 |
| MEASure:CURRent:AMPLitude:MAXimum? FETCh:CURRent:AMPLitude:MAXimum? | 43 |
| MEASure:CURRent:CREStfactor? FETCh:CURRent:CREStfactor? | 44 |

| | |
|---|-----------|
| MEASure:CURRent:HARMonic? FETCh:CURRent:HARMonic? | 44 |
| MEASure:CURRent:HARMonic:PHASe? FETCh:CURRent:HARMonic:PHASe? | 45 |
| MEASure:CURRent:HARMonic:THD? FETCh:CURRent:HARMonic:THD? | 45 |
| MEASure:CURRent:NEUTral? FETCh:CURRent:NEUTral? | 45 |
| MEASure:CURRent:NEUTral:AC? FETCh:CURRent:NEUTral:AC? | 46 |
| MEASure:CURRent:NEUTral:ACDC? FETCh:CURRent:NEUTral:ACDC? | 46 |
| MEASure:CURRent:NEUTral:HARMonic? FETCh:CURRent:NEUTral:HARMonic? | 46 |
| MEASure:CURRent:NEUTral:HARMonic:PHASe? FETCh:CURRent:NEUTral:HARMonic:PHASe? | 47 |
| Measurement Subsystem (Frequency) | 48 |
| Subsystem Syntax | 48 |
| MEASure:FREQuency? FETCh:FREQuency? | 48 |
| Measurement Subsystem (Power) | 49 |
| Subsystem Syntax | 49 |
| MEASure:POWer? FETCh:POWer? | 49 |
| MEASure:POWer:AC? FETCh:POWer:AC? | 49 |
| MEASure:POWer:AC:APParent? FETCh:POWer:AC:APParent? | 50 |
| MEASure:POWer:AC:REACTive? FETCh:POWer:AC:REACTive? | 50 |
| MEASure:POWer:AC:PFACtor? FETCh:POWer:AC:PFACtor? | 50 |
| MEASure:POWer:AC:TOTal? FETCh:POWer:AC:TOTal? | 51 |
| Measurement Subsystem (Voltage) | 52 |
| Subsystem Syntax | 52 |
| MEASure:VOLTagE? FETCh:VOLTagE? | 52 |
| MEASure:VOLTagE:AC? FETCh:VOLTagE:AC? | 52 |
| MEASure:VOLTagE:ACDC? FETCh:VOLTagE:ACDC? | 53 |
| MEASure:VOLTagE:HARMonic? FETCh:VOLTagE:HARMonic? | 53 |
| MEASure:VOLTagE:HARMonic:PHASe? FETCh:VOLTagE:HARMonic:PHASe? | 54 |
| MEASure:VOLTagE:HARMonic:THD? FETCh:VOLTagE:HARMonic:THD? | 54 |
| Output Subsystem | 55 |
| Subsystem Syntax | 55 |
| OUTPut | 55 |
| OUTPut:COUPling | 56 |
| OUTPut:DFI | 56 |
| OUTPut:DFI:SOURce | 56 |
| OUTPut:IMPedance | 57 |
| OUTPut:IMPedance:REAL | 57 |
| OUTPut:IMPedance:REACTive | 57 |
| OUTPut:PON:STATe | 58 |
| OUTPut:PROTection:CLEar | 58 |
| OUTPut:PROTection:DELAy | 58 |
| OUTPut:RI:MODE | 59 |
| OUTPut:TTLTrg | 59 |
| OUTPut:TTLTrg:SOURce | 59 |
| Sense Subsystem | 60 |
| Subsystem Syntax | 60 |
| SENSe:CURRent:ACDC:RANGe | 60 |
| SENSe:SWEep:OFFSet:POINts | 61 |
| SENSe:SWEep:TINTerval | 61 |
| SENSe:WINDow | 61 |
| Source Subsystem (Current) | 62 |
| Subsystem Syntax | 62 |
| CURRent | 62 |
| CURRent:PEAK | 63 |
| CURRent:PEAK:MODE | 63 |
| CURRent:PEAK:TRIGgered | 64 |
| CURRent:PROTection:STATe | 64 |

| | |
|-------------------------------------|-----------|
| Source Subsystem (Frequency) | 65 |
| Subsystem Syntax | 65 |
| FREQuency | 65 |
| FREQuency:MODE | 65 |
| FREQuency:SLEW | 66 |
| FREQuency:SLEW:MODE | 66 |
| FREQuency:SLEW:TRIGgered | 66 |
| FREQuency:TRIGgered | 67 |
| Source Subsystem (Function) | 68 |
| Subsystem Syntax | 68 |
| FUNCTion | 68 |
| FUNCTion:MODE | 69 |
| FUNCTion:TRIGgered | 69 |
| FUNCTion:CSINusoid | 70 |
| Source Subsystem (List) | 71 |
| Subsystem Syntax | 71 |
| LIST:COUNT | 72 |
| LIST:CURRent | 72 |
| LIST:CURRent:POINts? | 72 |
| LIST:DWELl | 73 |
| LIST:DWELl:POINts? | 73 |
| LIST:FREQuency | 73 |
| LIST:FREQuency:POINts? | 74 |
| LIST:FREQuency:SLEW | 74 |
| LIST:FREQuency:SLEW:POINts? | 74 |
| LIST:PHASe | 74 |
| LIST:PHASe:POINts? | 75 |
| LIST:SHAPe | 75 |
| LIST:SHAPe:POINts? | 75 |
| LIST:STEP | 76 |
| LIST:TTLTrg | 76 |
| LIST:TTLTrg:POINts? | 76 |
| LIST:VOLTage | 77 |
| LIST:VOLTage:POINts? | 77 |
| LIST:VOLTage:SLEW | 77 |
| LIST:VOLTage:SLEW:POINts? | 78 |
| LIST:VOLTage:OFFSet | 78 |
| LIST:VOLTage:OFFSet:POINts? | 78 |
| LIST:VOLTage:OFFSet:SLEW | 79 |
| LIST:VOLTage:OFFSet:SLEW:POINts? | 79 |
| Source Subsystem (Phase) | 80 |
| PHASe | 80 |
| PHASe:MODE | 81 |
| PHASe:TRIGgered | 81 |
| Source Subsystem (Pulse) | 82 |
| Subsystem Syntax | 82 |
| PULSe:COUNT | 82 |
| PULSe:DCYClE | 82 |
| PULSe:HOLD | 83 |
| PULSe:PERiod | 84 |
| PULSe:WIDTh | 84 |

| | |
|---|------------|
| Source Subsystem (Voltage) | 85 |
| Subsystem Syntax | 85 |
| VOLTage | 86 |
| VOLTage:TRIGgered | 86 |
| VOLTage:MODE | 87 |
| VOLTage:OFFSet | 87 |
| VOLTage:OFFSet:MODE | 88 |
| VOLTage:OFFSet:TRIGgered | 88 |
| VOLTage:OFFSet:SLEW | 89 |
| VOLTage:OFFSet:SLEW:MODE | 89 |
| VOLTage:OFFSet:SLEW:TRIGgered | 90 |
| VOLTage:PROTection | 90 |
| VOLTage:PROTection:STATe | 90 |
| VOLTage:RANGe | 91 |
| VOLTage:SENSe:DETeCTOR VOLTage:ALC:DETeCTOR | 91 |
| VOLTage:SENSe:SOURce VOLTage:ALC:SOURce | 92 |
| VOLTage:SLEW | 92 |
| VOLTage:SLEW:MODE | 93 |
| VOLTage:SLEW:TRIGgered | 93 |
| Status Subsystem | 94 |
| Subsystem Syntax | 94 |
| STATus:PRESet | 94 |
| Bit Configuration of Operation Status Registers | 95 |
| STATus:OPERation? | 95 |
| STATus:OPERation:CONDition? | 95 |
| STATus:OPERation:ENABle | 95 |
| STATus:OPERation:NTRansition STATus:OPERation:PTRansition | 96 |
| Bit Configuration of Questionable Status Registers | 97 |
| STATus:QUEStionable? | 97 |
| STATus:QUEStionable:CONDition? | 97 |
| STATus:QUEStionable:ENABle | 98 |
| STATus:QUEStionable:NTRansition STATus:QUEStionable:PTRansition | 98 |
| Bit Configuration of Questionable Instrument Summary Registers | 99 |
| STATus:QUEStionable:INSTrument:ISUMmary? | 99 |
| STATus:QUEStionable:INSTrument:ISUMmary:CONDition? | 100 |
| STATus:QUEStionable:INSTrument:ISUMmary:ENABle | 100 |
| STATus:QUEStionable:INSTrument:ISUMmary:NTR STATus:QUEStionable:INSTrument:ISUMmary:PTR | 101 |
| System Commands | 102 |
| Subsystem Syntax | 102 |
| SYSTem:CONFigure | 102 |
| SYSTem:CONFigure:NOUtputs | 103 |
| SYSTem:ERRor? | 103 |
| SYSTem:VERsion? | 103 |
| SYSTem:LANGuage | 104 |
| SYSTem:LOCal | 104 |
| SYSTem:REMote | 104 |
| SYSTem:RWLock | 104 |
| Trace Subsystem | 105 |
| Subsystem Syntax | 105 |
| TRACe DATA | 105 |
| TRACe:CATalog? DATA:CATalog? | 106 |
| TRACe:DEFine DATA:DEFine | 106 |
| TRACe:DELete DATA:DELete | 106 |

| | |
|--|------------|
| Trigger Subsystem | 107 |
| Subsystem Syntax | 107 |
| ABORt | 108 |
| INITiate:SEQuence INITiate:NAME | 108 |
| INITiate:CONTInuous:SEQuence INITiate:CONTInuous:NAME | 109 |
| TRIGger | 109 |
| TRIGger:DELay | 109 |
| TRIGger:SOURce | 110 |
| TRIGger:SEQuence2:SOURce TRIGger:SYNChronize:SOURce | 110 |
| TRIGger:SEQuence2:PHASe TRIGger:SYNChronize:PHASe | 111 |
| TRIGger:SEQuence3 TRIGger:ACQuire | 111 |
| TRIGger:SEQuence3:SOURce TRIGger:ACQuire:SOURce | 112 |
| TRIGger:SEQuence1:DEFine TRIGger:SEQuence2:DEFine TRIGger:SEQuence3:DEFine | 112 |
| Common Commands | 113 |
| Common Commands Syntax | 113 |
| *CLS | 114 |
| *ESE | 114 |
| Bit Configuration of Standard Event Status Enable Register | 114 |
| *ESR? | 115 |
| *IDN? | 115 |
| *OPC | 115 |
| *OPT? | 116 |
| *PSC | 116 |
| *RCL | 116 |
| *RST | 117 |
| *SAV | 118 |
| *SRE | 118 |
| *STB? | 119 |
| Bit Configuration of Status Byte Register | 119 |
| *TRG | 119 |
| *TST? | 119 |
| *WAI | 120 |
| | |
| 4 - PROGRAMMING EXAMPLES | 121 |
| Introduction | 121 |
| Programming the Output | 121 |
| Power-on Initialization | 121 |
| Enabling the Output | 121 |
| AC Voltage and Frequency | 122 |
| Voltage and Frequency Slew Rates | 123 |
| Waveform Shapes | 123 |
| Individual Phases (Agilent 6834B only) | 124 |
| Current Limit | 125 |
| DC Output (Agilent 6811B/6812B/6813B only) | 126 |
| Coupled Commands | 127 |
| Programming Output Transients | 128 |
| Transient System Model | 129 |
| Step and Pulse Transients | 130 |
| List Transients | 130 |
| Triggering Output Changes | 132 |
| SCPI Triggering Nomenclature | 132 |
| Output Trigger System Model | 132 |
| Initiating the Output Trigger System | 134 |
| Selecting the Output Trigger Source | 134 |

| | |
|--|------------|
| Specifying a Trigger Delay | 135 |
| Synchronizing Output Changes to a Reference Phase Angle | 135 |
| Generating Output Triggers | 136 |
| Specifying a Dwell Time for Each List Point | 136 |
| Making Measurements | 137 |
| Voltage and Current Measurements | 137 |
| Power Measurements | 138 |
| Harmonic Measurements | 138 |
| Simultaneous Output Phase Measurements (Agilent 6834B only) | 138 |
| Returning Voltage and Current Data From the Data Buffer | 139 |
| Regulatory-Compliant Measurement of Quasi-Stationary Harmonics | 139 |
| Triggering Measurements | 139 |
| SCPI Triggering Nomenclature | 139 |
| Measurement Trigger System Model | 139 |
| Initiating the Measurement Trigger System | 140 |
| Selecting the Measurement Trigger Source | 140 |
| Generating Measurement Triggers | 141 |
| Controlling the Instantaneous Voltage and Current Data Buffers | 141 |
| Programming the Status Registers | 142 |
| Power-On Conditions | 142 |
| Operation Status Group | 142 |
| Questionable Status Group | 144 |
| Questionable Instrument Isummary Status Group | 145 |
| Standard Event Status Group | 146 |
| Status Byte Register | 147 |
| Examples | 147 |
| Programming the Trigger In and Trigger Out BNC Connectors | 148 |
| Trigger In BNC | 148 |
| Trigger Out BNC | 149 |
| Remote Inhibit and Discrete Fault Indicator | 149 |
| Remote Inhibit (RI) | 150 |
| Discrete Fault Indicator (DFI) | 150 |
| SCPI Command Completion | 150 |
| | |
| A - SCPI COMMAND TREE | 151 |
| Command Syntax | 151 |
| | |
| B - SCPI CONFORMANCE INFORMATION | 155 |
| SCPI Confirmed Commands | 155 |
| Non SCPI Commands | 156 |
| | |
| C - ERROR MESSAGES | 157 |
| Error Number List | 157 |
| | |
| D - ELGAR MODEL 9012 COMPATIBILITY | 161 |
| Elgar Model 9012 Plug-in Programmer Compatibility | 161 |
| Main Board W1 Jumper Option Emulation | 161 |
| Syntax Compatibility | 161 |
| Status Model | 162 |
| Power-on State | 162 |
| Protection | 163 |
| Front Panel Operation | 163 |
| System Keys | 163 |

| | |
|---|------------|
| Function Keys | 163 |
| Entry Keys | 164 |
| E9012 Language Command Summary | 164 |
| E - IEC MODE COMMAND SUMMARY | 167 |
| Introduction | 167 |
| Using the SENSE:CURRENT:ACDC:RANGE command | 167 |
| Command Syntax | 168 |
| CALCulate:INTEgral:TIME | 169 |
| CALCulate:SMOothing | 169 |
| CALCulate:LIMit:UPPer | 170 |
| FORMat | 171 |
| FORMat:BORDer | 172 |
| MEASure:ARRay:CURRent:HARMonic? | 173 |
| MEASure:ARRay:VOLTagE:FLUCtuations:ALL? | 174 |
| MEASure:ARRay:VOLTagE:FLUCtuations:FLICKer? | 176 |
| MEASure:ARRay:VOLTagE:FLUCtuations:PST? | 177 |
| SENSe:CURRent:PREFerence | 178 |
| SENSe:WINDow | 178 |
| SYSTem:CONFigure | 179 |
| INDEX | 181 |

General Information

About this Guide

This manual contains programming information for the Agilent 6811B, 6812B, 6813B, 6814B, 6834B, 6843A AC Power Solutions. These units will be referred to as "ac sources" throughout this manual. You will find the following information in the rest of this guide:

| | |
|------------|--|
| Chapter 1 | Introduction to this guide. |
| Chapter 2 | Introduction to SCPI messages structure, syntax, and data formats. |
| Chapter 3 | Dictionary of SCPI commands. |
| Chapter 4 | Introduction to programming the ac source with SCPI commands. |
| Appendix A | SCPI command tree. |
| Appendix B | SCPI conformance information. |
| Appendix C | Error messages |
| Appendix D | Elgar Model 9012 plug-in programmer compatibility |
| Appendix E | IEC mode SCPI commands |

Earlier AC Source Models

With the exception of some minor readback specification differences, information in this manual also applies to the following earlier ac source models:

| Information about this current model | also applies to the following earlier models: |
|--------------------------------------|---|
| Agilent 6811B | Agilent 6811A AC Power Source/Analyzer |
| Agilent 6812B | Agilent 6812A AC Power Source/Analyzer Agilent 6841A Harmonic/Flicker Test System in normal mode |
| Agilent 6813B | Agilent 6813A AC Power Source/Analyzer Agilent 6842A Harmonic/Flicker Test System in normal mode |

Documentation Summary

The following documents that are related to this Programming Guide have additional helpful information for using the ac source.

- ◆ *Quick Start Guide.* Information on how to quickly get started using the ac source.
- ◆ *User's Guide.* Includes specifications and supplemental characteristics, how to use the front panel, how to connect to the instrument, and calibration procedures.
- ◆ *Quick Reference Card.* Designed as a memory jogger for front panel and GPIB operation.
- ◆ *Agilent 14761A, 14762A, 14763A User's Guides* are shipped along with the specific software application and with Agilent 6843A units only.

External References

SCPI References

The following documents will assist you with programming in SCPI:

- ◆ *Beginner's Guide to SCPI*. Agilent Part No. H2325-90001. Highly recommended for anyone who has not had previous experience programming with SCPI.
- ◆ *Tutorial Description of the General Purpose Interface Bus*. Agilent Part No. 5952-0156. Highly recommended for those not familiar with the IEEE 488.1 and 488.2 standards.

To obtain a copy of the above documents, contact your local Agilent Sales and Support Office.

GPIB References

The most important GPIB documents are your controller programming manuals - Agilent BASIC, GPIB Command Library for MS DOS, etc. Refer to these for all non-SCPI commands (for example: Local Lockout).

The following are two formal documents concerning the GPIB interface:

- ◆ *ANSI/IEEE Std. 488.1-1987 IEEE Standard Digital Interface for Programmable Instrumentation*. Defines the technical details of the GPIB interface. While much of the information is beyond the need of most programmers, it can serve to clarify terms used in this guide and in related documents.
- ◆ *ANSI/IEEE Std. 488.2-1987 IEEE Standard Codes, Formats, Protocols, and Common Commands*. Recommended as a reference only if you intend to do fairly sophisticated programming. Helpful for finding precise definitions of certain types of SCPI message formats, data types, or common commands.

The above two documents are available from the IEEE (Institute of Electrical and Electronics Engineers), 345 East 47th Street, New York, NY 10017, USA.

Agilent VXIplug&play Power Products Instrument Drivers

Agilent VXIplug&play Power Products instrument drivers for Microsoft Windows 95 and Windows NT are now available on the Web at <http://www.ag.com/go/drivers>. These instrument drivers provide a high-level programming interface to your Agilent Power Products instrument. Agilent VXIplug&play instrument drivers are an alternative to programming your instrument with SCPI command strings. Because the instrument driver's function calls work together on top of the VISA I/O library, a single instrument driver can be used with multiple application environments.

Supported Applications

- Agilent VEE
- Microsoft Visual BASIC
- Microsoft Visual C/C++
- Borland C/C++
- National Instruments LabVIEW
- National Instruments LabWindows/CVI

System Requirements

The Agilent *VXIplug&play* Power Products instrument driver complies with the following:

- Microsoft Windows 95
- Microsoft Windows NT 4.0
- HP VISA revision F.01.02
- National Instruments VISA 1.1

Downloading and Installing the Driver

NOTE: Before installing the Agilent *VXIplug&play* instrument driver, make sure that you have one of the supported applications installed and running on your computer.

1. Access Agilent Technologies' Web site at <http://www.ag.com/go/drivers>.
2. Select the instrument for which you need the driver.
3. Click on the driver, either Windows 95 or Windows NT, and download the executable file to your PC.
4. Locate the file that you downloaded from the Web. From the **Start** menu select **Run** <path>:\agxxxx.exe - where <path> is the directory path where the file is located, and agxxxx is the instrument driver that you downloaded .
5. Follow the directions on the screen to install the software. The default installation selections will work in most cases. The readme.txt file contains product updates or corrections that are not documented in the on-line help. If you decide to install this file, use any text editor to open and read it.
6. To use the *VXIplug&play* instrument driver, follow the directions in the Agilent *VXIplug&play* online help under "Introduction to Programming".

Accessing Online Help

A comprehensive online programming reference is provided with the driver. It describes how to get started using the instrument driver with Agilent VEE, LabVIEW, and LabWindows. It includes complete descriptions of all function calls as well as example programs in C/C++ and Visual BASIC.

- To access the online help when you have chosen the default **Vxipnp** start folder, click on the **Start** button and select **Programs | Vxipnp | agxxxx Help (32-bit)**.
- where agxxxx is the instrument driver.

Introduction to Programming

GPIB Capabilities of the AC Source

All ac source functions except for setting the GPIB address are programmable over the GPIB. The IEEE 488.2 capabilities of the ac source are listed in the appendix A of the User's Guide.

GPIB Address

The ac source operates from a GPIB address that is set from the front panel. To set the GPIB address, press the **Address** key on the front panel and enter the address using the Entry keys.

RS-232 Capabilities of the AC Source

The ac source provides an RS-232 programming interface, which is activated by commands located under the front panel **Address** key. All SCPI and E9012 commands are available through RS-232 programming. When the RS-232 interface is selected, the GPIB interface is disabled.

The EIA RS-232 Standard defines the interconnections between Data Terminal Equipment (DTE) and Data Communications Equipment (DCE). The ac source is designed to be a DTE. It can be connected to another DTE such as a PC COM port through a null modem cable.

NOTE: The RS-232 settings in your program must match the settings specified in the front panel Address menu. Press the front panel **Address** key if you need to change the settings.

RS-232 Data Format

The RS-232 data is a 11-bit word with one start bit and two stop bits. The number of start and stop bits is not programmable. The following parity options are selectable using the front panel Address key:

| | |
|-------|--|
| EVEN | Seven data bits with even parity |
| ODD | Seven data bits with odd parity |
| MARK | Seven data bits with mark parity (parity is always true) |
| SPACE | Seven data bits with space parity (parity is always false) |
| NONE | Eight data bits without parity |

Parity options are stored in non-volatile memory.

Baud Rate

The front panel Address key lets you select one of the following baud rates, which is stored in non-volatile memory: 300 600 1200 2400 4800 9600

RS-232 Programming Example

The following program illustrates how to program the ac source using RS-232 to set the output voltage and frequency and to read back the model number and output voltage. The program was written to run on any controller using Microsoft QBasic.

NOTE: The ac source must be configured for RS232 and the same baud rate and parity as the controller.

```
` Program to write and read via RS232
` Configure serial port for:
` 9600 baud
` 7 bit data
` 2 stop bits
` Ignore request to send
` Ignore carrier detect
` Even parity           ` Needed with Vectra basic, ignored with QBasic
` Send line feed
` Reserve 1000 character buffer for serial I/O
`
DECLARE FUNCTION gets$ ()           ` Function to read string from ac source
CLS                                 ` Clears screen
LOCATE 1, 1                         ` Position cursor at top left
` Configure Com1 Port
OPEN "com1:9600,e,7,2,rs,cd,pe,lf" FOR RANDOM AS #1 LEN = 1000
PRINT #1, "*RST"                    ` Resets the ac source
PRINT #1, "VOLT 60"                 ` Set voltage to 60 volts
PRINT #1, "FREQ 50"                ` Set frequency to 50 hertz
PRINT #1, "OUTPUT ON"              ` Turn on the output
PRINT #1, "*IDN?"                  ` Query the ac source identification string
PRINT gets$                         ` Go to gets$ Function and print data returned
PRINT #1, MEAS"VOLT?"; volt        ` Query the ac source voltage
Volt = VAL (gets$)                 ` Convert gets$ string to a value
PRINT gets$                         ` Print the value of the voltage
END                                 ` End of main program

FUNCTION gets$                       ` Get a new line feed terminated string from device #1
C$ = ""                             ` Set C$ to null
WHILE c$ <> CHR$ (10)                ` Set loop to stop at Line Feed
    C$ = INPUT$ (1, #1)              ` Read 1 bit into file #1
    Resp$ = resp$ + c$              ` Concatenate bit with previous bits
WEND                                  ` End of WHILE loop
gets$ = resp$                        ` Assign response to gets$
END FUNCTION
```

RS-232 Troubleshooting

If you are having trouble communicating over the RS-232 interface, check the following:

- ◆ The computer and the ac source must be configured for the same baud rate, parity, and number of data bits. Note that the ac source is configured for 1 start bit and 2 stop bits (these values are fixed).
- ◆ The correct interface cables or adaptors must be used, as described under "RS-232 Connector" in the User's Guide. Note that even if the cable has the proper connectors for your system, the internal wiring may be incorrect.
- ◆ The interface cable must be connected to the correct serial port on your computer (COM1, COM2, etc.).

Introduction to SCPI

SCPI (Standard Commands for Programmable Instruments) is a programming language for controlling instrument functions over the GPIB. SCPI is layered on top of the hardware-portion of IEEE 488.2. The same SCPI commands and parameters control the same functions in different classes of instruments. For example, you would use the same DISPLAY command to control the ac source display and the display of a SCPI-compatible multimeter.

Conventions Used in This Guide

| | | |
|-----------------|-----|--|
| Angle brackets | < > | Items within angle brackets are parameter abbreviations. For example, <NR1> indicates a specific form of numerical data. |
| Vertical bar | | Vertical bars separate alternative parameters. For example, NORM TEXT indicates that either "TEXT" or "NORM" can be used as a parameter. |
| Square Brackets | [] | Items within square brackets are optional. The representation [SOURCE:]LIST means that SOURCE: may be omitted. |
| Braces | { } | Braces indicate parameters that may be repeated zero or more times. It is used especially for showing arrays. The notation <A>{<,B>} shows that parameter "A" must be entered, while parameter "B" may be omitted or may be entered one or more times. |
| Computer font | | Computer font is used to show program lines in text. TRIGger:DElay .5 shows a program line. |

Types of SCPI Commands

SCPI has two types of commands, common and subsystem.

- ◆ Common commands generally are not related to specific operation but to controlling overall ac source functions, such as reset, status, and synchronization. All common commands consist of a three-letter mnemonic preceded by an asterisk: *RST*IDN?*SRE 8
- ◆ Subsystem commands perform specific ac source functions. They are organized into an inverted tree structure with the "root" at the top. Some are single commands while others are grouped within specific subsystems.

Refer to appendix A for the ac source SCPI tree structure.

Types of SCPI Messages

There are two types of SCPI messages, program and response.

- ◆ A program message consists of one or more properly formatted SCPI commands sent from the controller to the ac source. The message, which may be sent at any time, requests the ac source to perform some action.
- ◆ A response message consists of data in a specific SCPI format sent from the ac source to the controller. The ac source sends the message only when commanded by a program message called a "query."

The SCPI Command Tree

As previously explained, the basic SCPI communication method involves sending one or more properly formatted commands from the SCPI command tree to the instrument as program messages. The following figure shows a portion of a subsystem command tree, from which you access the commands located along the various paths (you can see the complete tree in appendix A).

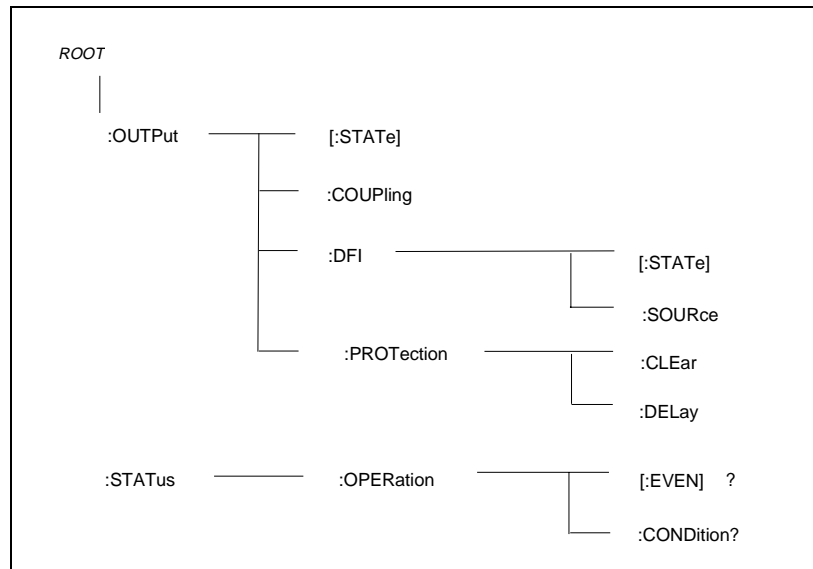


Figure 2-1. Partial Command Tree

The Root Level

Note the location of the ROOT node at the top of the tree. Commands at the root level are at the top level of the command tree. The SCPI interface is at this location when:

- ◆ the ac source is powered on
- ◆ a device clear (DCL) is sent to the ac source
- ◆ the SCPI interface encounters a message terminator
- ◆ the SCPI interface encounters a root specifier

Active Header Path

In order to properly traverse the command tree, you must understand the concept of the active header path. When the ac source is turned on (or under any of the other conditions listed above), the active path is at the root. That means the SCPI interface is ready to accept any command at the root level, such as OUTPut or STATe.

If you enter OUTPut, the active header path moves one colon to the right. The interface is now ready to accept :STATe, :COUPling, :DFI, or :PROTection as the next header. You must include the colon, because it is required between headers.

If you now enter :PROTection, the active path again moves one colon to the right. The interface is now ready to accept either :CLEar or :DELay as the next header.

If you now enter :CLEAr, you have reached the end of the command string. The active header path remains at :CLEAr. If you wished, you could have entered :CLEAr;DELAy 20 and it would be accepted as a compound message consisting of:

```
OUTPut:PROTection:CLEAr    and
OUTPut:PROTection:DELAy 20.
```

The entire message would be:

```
OUTPut:PROTection:CLEAr;DELAy 20
```

The message terminator after DELAy 20 returns the path to the root.

The Effect of Optional Headers

If a command includes optional headers, the interface assumes they are there. For example, if you enter OUTPut OFF, the interface recognizes it as OUTPut:STATe OFF. This returns the active path to the root (:OUTPut). But if you enter [OUTPut:STATe OFF,] then the active path remains at :STATe. This allows you to send

```
OUTPut:STATe OFF;PROTection:CLEAr
```

in one message. If you tried to send

```
OUTPut OFF;PROTection:CLEAr
```

the header path would return to :OUTPut instead of :PROTection.

The optional header [SOURce] precedes the current, frequency, function, phase, pulse, list, and voltage subsystems. This effectively makes :CURRent, :FREQUency, :FUNCTion, :PHASe, :PULse, :LIST, and :VOLTage root-level commands.

Moving Among Subsystems

In order to combine commands from different subsystems, you need to be able to restore the active path to the root. You do this with the root specifier (:). For example, you could clear the output protection and check the status of the Operation Condition register as follows:

```
OUTPut:PROTection:CLEAr
STATus:OPERation:CONDition?
```

Because the root specifier resets the command parser to the root, you can use the root specifier and do the same thing in one message:

```
OUTPut:PROTection:CLEAr;;STATus:OPERation:CONDition?
```

The following message shows how to combine commands from different subsystems as well as within the same subsystem:

```
VOLTage:LEVel 70;PROTection 80;;CURRent:LEVel 3;PROTection:STATe ON
```

Note the use of the optional header LEVel to maintain the correct path within the voltage and current subsystems and the use of the root specifier to move between subsystems.

NOTE: The "Enhanced Tree Walking Implementation" given in appendix A of the IEEE 488.2 standard is not implemented in the ac source.

Including Common Commands

You can combine common commands with system commands in the same message. Treat the common command as a message unit by separating it with a semicolon (the message unit separator). Common commands do not affect the active header path; you may insert them anywhere in the message.

```
VOLTage:TRIGger 7.5;INITialize;*TRG  
OUTPut OFF;*RCL 2;OUTPut ON
```

Using Queries

Observe the following precautions with queries:

- ◆ Set up the proper number of variables for the returned data.
- ◆ Read back all the results of a query before sending another command to the ac source. Otherwise a Query Interrupted error will occur and the unreturned data will be lost.

Coupled Commands

When commands are coupled it means that the value sent by one command is affected by the settings of the other commands. The following commands are coupled in the ac source:

- ◆ the voltage, voltage offset, and function shape commands
- ◆ the step, pulse, and list commands that control output voltages, voltage offsets, and function shapes
- ◆ the pulse commands that program the width, duty cycle, period, and the hold parameter
- ◆ the voltage range and current limit commands in some ac source models

As explained later in Chapter 4, the order in which data is sent by these coupled commands can be important when more than one parameter is changed.

Structure of a SCPI Message

SCPI messages consist of one or more message units ending in a message terminator. The terminator is not part of the syntax, but implicit in the way your programming language indicates the end of a line (such as a newline or end-of-line character).

The Message Unit

The simplest SCPI command is a single message unit consisting of a command header (or keyword) followed by a message terminator.

```
ABORt<newline>  
VOLTage?<newline>
```

The message unit may include a parameter after the header. The parameter usually is numeric, but it can be a string:

```
VOLTage 20<newline>  
VOLTage MAX<newline>
```

Combining Message Units

The following command message is briefly described here, with details in subsequent paragraphs.

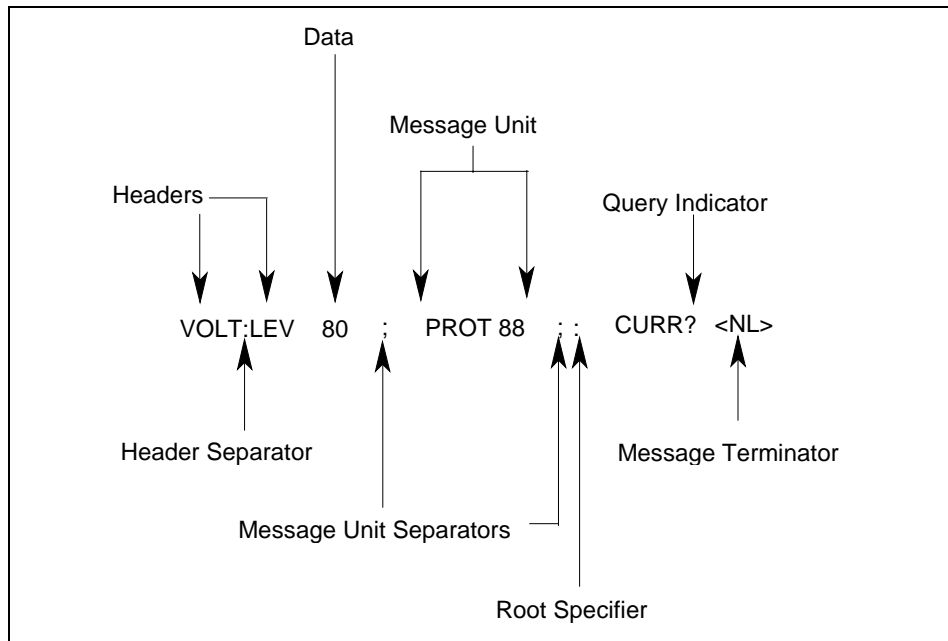


Figure 2-2. Command Message Structure

The basic parts of the above message are:

| Message Component | Example |
|-------------------------------|---|
| <i>Headers</i> | VOLT LEV PROT CURR |
| <i>Header Separator</i> | The colon in VOLT:LEV |
| <i>Data</i> | 8088 |
| <i>Data Separator</i> | The space in VOLT 80 and PROT 88 |
| <i>Message Units</i> | VOLT:LEV 80 PROT 88 CURR? |
| <i>Message Unit Separator</i> | The semicolons in VOLT:LEV 80; and PROT 88; |
| <i>Root Specifier</i> | The colon in PROT 88;CURR? |
| <i>Query Indicator</i> | The question mark in CURR? |
| <i>Message Terminator</i> | The <NL> (newline) indicator. Terminators are not part of the SCPI syntax |

Headers

Headers are instructions recognized by the ac source. Headers (which are sometimes known as "keywords") may be either in the long form or the short form.

Long Form The header is completely spelled out, such as VOLTAGE, STATUS, and DELAY.

Short Form The header has only the first three or four letters, such as VOLT, STAT, and DEL.

The SCPI interface is not sensitive to case. It will recognize any case mixture, such as TRIGGER, Trigger, TRIGger.

NOTE: Short form headers result in faster program execution.

| | |
|--------------------------|--|
| Header Convention | In the command descriptions in Chapter 3 of this manual, headers are emphasized with boldface type. The proper short form is shown in upper-case letters, such as DELay. |
| Header Separator | If a command has more than one header, you must separate them with a colon (VOLT:PROT OUTPut:RELAy:POLarity). |
| Optional Headers | The use of some headers is optional. Optional headers are shown in brackets, such as OUTPut[:STATE] ON. As previously explained under "The Effect of Optional Headers", if you combine two or more message units into a compound message, you may need to enter the optional header. |

Query Indicator

Following a header with a question mark turns it into a query (VOLTage?, VOLTage:PROTection?). If a query contains a parameter, place the query indicator at the end of the last header (VOLTage:PROTection? MAX).

Message Unit Separator

When two or more message units are combined into a compound message, separate the units with a semicolon (STATus:OPERation?:QUEStionable?).

Root Specifier

When it precedes the first header of a message unit, the colon becomes the root specifier. It tells the command parser that this is the root or the top node of the command tree. Note the difference between root specifiers and header separators in the following examples:

| | |
|---|--|
| OUTPut:PROTection:DELAy .1 | All colons are header separators |
| :OUTPut:PROTection:DELAy .1 | Only the first colon is a root specifier |
| OUTPut:PROTection:DELAy .1;VOLTage 12.5 | Only the third colon is a root specifier |

NOTE: You do not have to precede root-level commands with a colon; there is an implied colon in front of every root-level command.

Message Terminator

A terminator informs SCPI that it has reached the end of a message. Three permitted message terminators are:

- ◆ newline (<NL>), which is ASCII decimal 10 or hex 0A.
- ◆ end or identify (<END>)
- ◆ both of the above (<NL><END>).

In the examples of this guide, there is an assumed message terminator at the end of each message. If the terminator needs to be shown, it is indicated as <NL> regardless of the actual terminator character.

SCPI Data Formats

All data programmed to or returned from the ac source is ASCII. The data may be numerical or character string.

Numerical Data Formats

| Symbol | Data Form |
|--------|---|
| | <u>Talking Formats</u> |
| <NR1> | Digits with an implied decimal point assumed at the right of the least-significant digit. Examples: 273 |
| <NR2> | Digits with an explicit decimal point. Example: .0273 |
| <NR3> | Digits with an explicit decimal point and an exponent. Example: 2.73E+2 |
| <Bool> | Boolean Data. Example: 0 1 or OFF ON (0 = OFF; 1 = ON) |
| | <u>Listening Formats</u> |
| <Nrf> | Extended format that includes <NR1>, <NR2> and <NR3>. Examples: 273273. 2.73E2 |
| <Nrf+> | Expanded decimal format that includes <Nrf> and MINMAX. Examples: 273 73.2 .73E2 MAX. MIN and MAX are the minimum and maximum limit values that are implicit in the range specification for the parameter. |
| <Bool> | Boolean Data. Example: 0 1 |

Suffixes and Multipliers

| Class | Suffix | Unit | Unit with Multiplier |
|---------------------------|--------|--------|----------------------|
| Current | A | ampere | MA (milliampere) |
| Amplitude | V | volt | MV (millivolt) |
| Time | S | second | MS (millisecond) |
| Frequency | HZ | Hertz | KHZ (kilohertz) |
| Common Multipliers | | | |
| | 1E3 | K | kilo |
| | 1E-3 | M | milli |
| | 1E-6 | U | micro |

Character Data

Character strings returned by query statements may take either of the following forms, depending on the length of the returned string:

- <CRD> Character Response Data. Permits the return of character strings.
- <AARD> Arbitrary ASCII Response Data. Permits the return of undelimited 7-bit ASCII. This data type has an implied message terminator.
- <SRD> String Response Data. Returns string parameters enclosed in double quotes.

System Considerations

The remainder of this chapter addresses some system issues concerning programming. These are ac source addressing and the use of the following types of GPIB system interfaces:

- ◆ HP Vectra PC controller with Agilent 82335A GPIB Interface Command Library
- ◆ IBM PC controller with National Instruments GPIB-PCII Interface/Handler
- ◆ Agilent controller with Agilent BASIC Language System

Assigning the GPIB Address in Programs

The ac source address cannot be set remotely. It must be set from the front panel. Once the address is set, you can assign it inside programs. The following examples assume that the GPIB select code is 7, and the ac source will be assigned to the variable ACS.

```
1070 ACS=706                ! Agilent 82335A Interface
1070 ASSIGN @ACS TO 706    ! Agilent BASIC Interface
```

For systems using the National Instruments DOS driver, the address is specified in the software configuration program (IBCONFIG.EXE) and assigned a symbolic name. The address then is referenced only by this name within the application program (see the National Instruments GPIB documentation).

Types of DOS Drivers

The Agilent 82335A and National Instruments GPIB are two popular DOS drivers. Each is briefly described here. See the software documentation supplied with the driver for more details.

Agilent **82335A Driver**

For GW-BASIC programming, the GPIB library is implemented as a series of subroutine calls. To access these subroutines, your application program must include the header file SETUP.BAS, which is part of the DOS driver software.

SETUP.BAS starts at program line 5 and can run up to line 999. Your application programs must begin at line 1000. SETUP.BAS has built-in error checking routines that provide a method to check for GPIB errors during program execution. You can use the error-trapping code in these routines or write your own code using the same variables as used by SETUP.BAS.

National Instruments GPIB Driver

Your program must include the National Instruments header file DECL.BAS. This contains the initialization code for the interface. Prior to running any applications programs, you must set up the interface with the configuration program (IBCONF.EXE).

Your application program will not include the ac source symbolic name and GPIB address. These must be specified during configuration (when you run IBCONF.EXE). Note that the primary address range is from 0 to 30 but any secondary address must be specified in the address range of 96 to 126. The instrument expects a message termination on EOI or line feed, so set EOI w/last byte of Write. It is also recommended that you set Disable Auto Serial Polling.

All function calls return the status word IBSTA%, which contains a bit (ERR) that is set if the call results in an error. When ERR is set, an appropriate code is placed in variable IBERR%. Be sure to check IBSTA% after every function call. If it is not equal to zero, branch to an error handler that reads IBERR% to extract the specific error.

Error Handling

If there is no error-handling code in your program, undetected errors can cause unpredictable results. This includes "hanging up" the controller and forcing you to reset the system. Both of the above DOS drivers have routines for detecting program execution errors.

Important Use error detection after every call to a subroutine.

Agilent BASIC Controllers

The Agilent BASIC Programming Language provides access to GPIB functions at the operating system level. This makes it unnecessary to have the header files required in front of DOS applications programs. Also, you do not have to be concerned about controller "hangups" as long as your program includes a timeout statement. Because the ac source can be programmed to generate SRQ on errors, your program can use an SRQ service routine for decoding detected errors. The detectable errors are listed in Appendix C.

Language Dictionary

Introduction

This section gives the syntax and parameters for all the IEEE 488.2 SCPI commands and the Common commands used by the ac sources when operating in Normal mode. It is assumed that you are familiar with the material in Chapter 2 "Introduction to Programming". Because the SCPI syntax remains the same for all programming languages, the examples given for each command are generic.

| | |
|------------------------------|--|
| Syntax Forms | Syntax definitions use the long form, but only short form headers (or "keywords") appear in the examples. Use the long form to help make your program self-documenting. |
| Parameters | Most commands require a parameter and all queries will return a parameter. The range for a parameter may vary according to the model of ac source. Parameters for all models are listed in the Specifications table in the User's Guide. |
| Models | If a command only applies to specific models, those models are listed in the <Model> Only entry. If there is no <Model> Only entry, the command applies to all models. |
| Phases | If a command can apply to individual phases of an , the entry Phase Selectable will appear in the command description. |
| Related Commands | Where appropriate, related commands or queries are included. These are listed because they are either directly related by function, or because reading about them will clarify or enhance your understanding of the original command or query. |
| Order of Presentation | The dictionary is organized as follows: <ul style="list-style-type: none"> ◆ Subsystem commands, arranged by subsystem ◆ IEEE 488.2 common commands |

Subsystem Commands

Subsystem commands are specific to functions. They can be a single command or a group of commands. The groups are comprised of commands that extend one or more levels below the root. The description of common commands follows the description of the subsystem commands.

The subsystem command groups are listed in alphabetical order and the commands within each subsystem are grouped alphabetically under the subsystem. Commands followed by a question mark (?) take only the query form. When commands take both the command and query form, this is noted in the syntax descriptions.

You will find the subsystem command groups discussed on the following pages:

| Subsystem | Page |
|-----------------------------------|-------------|
| Calibration Subsystem | 29 |
| Display Subsystem | 34 |
| Instrument Subsystem | 35 |
| Measurement Subsystem (Arrays) | 37 |
| Measurement Subsystem (Current) | 42 |
| Measurement Subsystem (Frequency) | 48 |
| Measurement Subsystem (Power) | 49 |
| Measurement Subsystem (Voltage) | 52 |
| Output Subsystem | 55 |
| Sense Subsystem | 60 |
| Source Subsystem (Current) | 62 |
| Source Subsystem (Frequency) | 65 |
| Source Subsystem (Function) | 68 |
| Source Subsystem (List) | 71 |
| Source Subsystem (Phase) | 80 |
| Source Subsystem (Pulse) | 82 |
| Source Subsystem (Voltage) | 85 |
| Status Subsystem | 94 |
| System Commands | 102 |
| Trace Subsystem | 105 |
| Trigger Subsystem | 107 |
| Common Commands | 113 |

Calibration Subsystem Commands

The commands in this subsystem allow you to do the following:

- ◆ Enable and disable the calibration mode
- ◆ Change the calibration password
- ◆ Calibrate the current and voltage output levels, and store new calibration constants in nonvolatile memory.

Subsystem Syntax

CALibrate

| | |
|----------------------|--|
| :CURRent | |
| :AC | Begin ac current programming calibration sequence |
| :MEASure | Begin current measurement calibration sequence |
| :DATA <n> | Input a calibration measurement |
| :IMPedance | Begin output impedance calibration sequence |
| :LEVel <level> | Advance to next calibration step (P1 P2 P3 P4) |
| :PASSword <n> | Set calibration password |
| :PWM | |
| :FREQuency <n> | Trim pulse width modulator frequency |
| :RAMP <n> | Trim pulse width modulator ramp |
| :SAVE | Save new cal constants in non-volatile memory |
| :STATE <bool> [,<n>] | Enable or disable calibration mode |
| :VOLTage | |
| :AC | Begin ac voltage calibration sequence |
| :DC | Begin dc voltage calibration sequence |
| :OFFSet | Begin offset voltage calibration sequence |
| :PROTection | Begin voltage protection calibration sequence |
| :RTIME | Begin realtime voltage calibration sequence |

CALibrate:CURRent:AC

Phase Selectable

This command can only be used in the calibration mode. It initiates the calibration of the ac current limit and metering circuits.

| | |
|-------------------------|--------------------------|
| Command Syntax | CALibrate:CURRent:AC |
| Parameters | None |
| Examples | CAL:CURR:AC |
| Related Commands | CAL:STAT CAL:SAV CAL:LEV |

CALibrate:CURRent:MEASure

Agilent 6811B, 6812B, 6813B, 6843A Only

This command is used to initiate the calibration of the current metering circuits and the peak current limit circuits. It can only be used in the calibration mode.

| | |
|-------------------------|---------------------------|
| Command Syntax | CALibrate:CURRent:MEASure |
| Parameters | None |
| Examples | CAL:CURR:MEAS |
| Related Commands | CAL:STAT CAL:SAV CAL:LEV |

CALibrate:DATA

Phase Selectable

This command is only used in calibration mode. It enters a calibration value that you obtain by reading an external meter. You must first select a calibration level (with CALibrate:LEVel) for the value being entered. These constants are not stored in nonvolatile memory until they are saved with CALibrate:SAVE. If CALibrate:STATE OFF is programmed without a CALibrate:SAVE, the previous calibration constants are restored.

| | |
|-------------------------|-----------------------------------|
| Command Syntax | CALibrate:DATA <NRf> |
| Parameters | <external reading> |
| Unit | A (amperes) |
| Examples | CAL:DATA 3222.3 MA CAL:DATA 5.000 |
| Related Commands | CAL:STAT CAL:SAV |

CALibrate:IMPedance

Agilent 6811B, 6812B, 6813B, 6843A Only

This command can only be used in calibration mode. It calibrates the output impedance circuits. The automatically performs the calibration and stores the impedance constant in nonvolatile memory. CALibrate:IMPedance is a sequential command that takes several seconds to complete.

| | |
|-------------------------|---------------------|
| Command Syntax | CALibrate:IMPedance |
| Parameters | None |
| Examples | CAL:IMP |
| Related Commands | CAL:STAT CAL:SAV |

CALibrate:LEVel

Phase Selectable

This command can only be used in calibration mode. It is used to advance to the next state in the calibration sequence.

| | |
|-------------------------|-------------------------|
| Command Syntax | CALibrate:LEVel <level> |
| Parameters | P1 P2 P3 P4 |
| Examples | CAL:LEV P2 |
| Related Commands | CAL:STAT CAL:SAV |

CALibrate:PASSword

This command can only be used in calibration mode. It allows you to change the calibration password. A new password is automatically stored in nonvolatile memory and does not have to be stored with CALibrate:SAVE. If the password is set to 0, password protection is removed and the ability to enter the calibration mode is unrestricted.

| | |
|-------------------------|---|
| Command Syntax | CALibrate:PASSword <NRf> |
| Parameters | 0 (default) |
| Examples | CAL:PASS 6812 CAL:PASS 02.1997 |
| Related Commands | CAL:STAT |

CALibrate:PWM:FREQuency**Agilent 6811B, 6812B, 6813B Only**

This command is only used during manufacture or repair. It trims the switching frequency of the power output stages. The numbers from 0 to 7 are internally mapped to 8 discrete frequencies.

| | |
|----------------------------|-------------------------------|
| Command Syntax | CALCulate:PWM:FREQuency <NRf> |
| Parameters | 0 through 7 |
| Examples | CAL:PWM:FREQ 1 |
| Query Syntax | CALibrate:PWM:FREQuency? |
| Returned Parameters | <NR1> |
| Related Commands | CAL:PWM:RAMP |

CALibrate:PWM:RAMP**Agilent 6811B, 6812B, 6813B, Only**

This command modulates the slope of voltage ramp driving the power output stages. Varying the ramp affects the harmonic distortion of the output. The argument is a number from 0 to 255. This command is only used during manufacture or repair of the .

| | |
|----------------------------|--------------------------|
| Command Syntax | CALCulate:PWM:RAMP <NRf> |
| Parameters | 0 through 255 |
| Examples | CAL:PWM:RAMP 100 |
| Query Syntax | CALibrate:PWM:RAMP? |
| Returned Parameters | <NR1> |
| Related Commands | CAL:PWM:FREQ |

CALibrate:SAVE

This command can only be used in calibration mode. It saves any new calibration constants (after a current or voltage calibration procedure has been completed) in nonvolatile memory.

| | |
|-------------------------|----------------------------------|
| Command Syntax | CALibrate:SAVE |
| Parameters | None |
| Examples | CAL:SAVE |
| Related Commands | CAL:CURR CAL:VOLT CAL:STAT |

CALibrate:STATE

This command enables and disables calibration mode. The calibration mode must be enabled before the will accept any other calibration commands. The first parameter specifies the enabled or disabled state. The second parameter is the password. It is required if the calibration mode is being enabled and the existing password is not 0. If the password is not entered or is incorrect, an error is generated and the calibration mode remains disabled. The query statement returns only the state, not the password.

Whenever the calibration state is changed from enabled to disabled, any new calibration constants are lost unless they have been stored with CALibrate:SAVE.

| | |
|----------------------------|---------------------------------|
| Command Syntax | CALibrate:STATe <bool> [,<NRf>] |
| Parameters | 0 1 OFF ON [,<password>] |
| *RST Value | OFF |
| Examples | CAL:STAT 1,6812 CAL:STAT OFF |
| Query Syntax | CALibrate:STATe? |
| Returned Parameters | <NR1> |
| Related Commands | CAL:PASS CAL:SAVE |

CALibrate:VOLTage:AC

Phase Selectable

This command can only be used in calibration mode. It initiates the calibration of the ac voltage programming and metering circuits.

| | |
|-------------------------|----------------------|
| Command Syntax | CALibrate:VOLTage:AC |
| Parameters | None |
| Examples | CAL:VOLT:AC |
| Related Commands | CAL:SAVE CAL:STAT |

CALibrate:VOLTage:DC

Agilent 6811B, 6812B, 6813B, Only

This command can only be used in calibration mode. It initiates the calibration of the dc voltage programming circuits.

| | |
|-------------------------|----------------------|
| Command Syntax | CALibrate:VOLTage:DC |
| Parameters | None |
| Examples | CAL:VOLT:DC |
| Related Commands | CAL:SAVE CAL:STAT |

CALibrate:VOLTage:OFFSet**Agilent 6811B, 6812B, 6813B, Only**

This command can only be used in calibration mode. It initiates the calibration of the offset voltage programming circuits.

| | |
|-------------------------|---------------------------|
| Command Syntax | CALibrate:VOLTage:OFFSet |
| Parameters | None |
| Examples | CAL:VOLT:OFFS |
| Related Commands | CAL:SAVE CAL:STAT CAL:LEV |

CALibrate:VOLTage:PROTection

This command can only be used in calibration mode. It calibrates the overvoltage protection (OV) circuit. The automatically performs the calibration and stores the new OV constant in nonvolatile memory. CALibrate:VOLTage:PROTection is a sequential command that takes several seconds to complete.

| | |
|-------------------------|------------------------------|
| Command Syntax | CALibrate:VOLTage:PROTection |
| Parameters | None |
| Examples | CAL:VOLT:PROT |
| Related Commands | CAL:SAVE CAL:STAT |

CALibrate:VOLTage:RTIME**Agilent 6843A Only**

This command can only be used in calibration mode. It calibrates the realtime voltage programming circuit.

| | |
|-------------------------|-------------------------|
| Command Syntax | CALibrate:VOLTage:RTIME |
| Parameters | None |
| Examples | CAL:VOLT:RTIM |
| Related Commands | CAL:SAVE CAL:STAT |

Display Subsystem Commands

This subsystem programs the front panel display of the ac source.

Subsystem Syntax

```
DISPlay
  [:WINDow]
    [:STATe] <bool>           Enable/disable front panel display
    :MODE <mode>             Set display mode (NORMAl | TEXT)
    :TEXT
      [:DATA] <display string> Set text displayed in text mode
```

DISPlay

This command turns the front panel display on and off. It does not affect the annunciators.

| | |
|----------------------------|-------------------------------|
| Command Syntax | DISPlay[:WINDow]:STATe <bool> |
| Parameters | 0 1 OFF ON |
| *RST Value | ON |
| Examples | DISP:STAT 1, DISP:STAT OFF |
| Query Syntax | DISPlay[:WINDow]:STATe? |
| Returned Parameters | 0 1 |
| Related Commands | DISP:MODE DISP:TEXT |

DISPlay:MODE

This command sets the display to show either normal instrument functions, or to show a text message. Text messages are defined with DISPlay:TEXT:DATA.

| | |
|----------------------------|------------------------------|
| Command Syntax | DISPlay[:WINDow]:MODE <mode> |
| Parameters | NORMAl TEXT |
| *RST Value | NORMAl |
| Examples | DISP:MODE TEXT |
| Query Syntax | DISPlay[:WINDow]:MODE? |
| Returned Parameters | <CRD> |
| Related Commands | DISP DISP:TEXT |

DISPlay:TEXT

This command sets the character string that is displayed when the display mode is set to TEXT. The argument is a quoted string limited to upper case alpha characters and numbers. The display is capable of showing up to 14 characters. If the string exceeds the display capacity, it will be truncated.

| | |
|----------------------------|---|
| Command Syntax | DISPlay[:WINDow]:TEXT[:DATA] <display_string> |
| Parameters | <display_string> |
| *RST Value | null string |
| Examples | DISP:TEXT "DO TEST1" |
| Query Syntax | DISPlay[:WINDow]:TEXT? |
| Returned Parameters | <SRD> (the last programmed string) |
| Related Commands | DISP DISP:MODE |

Instrument Subsystem

This subsystem programs the three-phase output capability of the Agilent 6834B .

Subsystem Syntax

INSTRument
 :COUPle <phase> Couple all phases for programming (ALL | NONE)
 :NSElect <n> Select the output phase to program (1 | 2 | 3)
 :SElect <output> Select the output phase to program (OUTP1 | OUTP2 | OUTP3)

INSTRument:COUPle

Agilent 6834B Only

In a three-phase power source it is convenient to set parameters of all three output phases simultaneously with one programming command. When INSTR:COUP ALL is programmed, sending a command to any phase will result in that command being sent to all three phases.

NOTE: INSTRument:COUPle only affects the operation of subsequent commands. It does not by itself immediately affect the 's output. The commands that are affected by INSTRument:COUPle are those with the designation: **Phase Selectable**.

INSTRument:COUPle has no affect on queries. There is no way to query more than one phase with a single command. Directing queries to individual phases is done with INSTRument:NSElect.

| | |
|----------------------------|---------------------------|
| Command Syntax | INSTRument:COUPle <phase> |
| Parameters | ALL NONE |
| *RST Value | ALL |
| Examples | INST:COUP ALL |
| Query Syntax | INSTRument:COUPle? |
| Returned Parameters | <CRD> |
| Related Commands | INST:NSEL |

INSTRument:NSElect **INSTRument:SElect**

Agilent 6834B Only

These commands allow the selection of individual outputs in a three-phase model for subsequent commands or queries. Their operation is dependent on the setting of INSTRument:COUPle. If INST:COUP NONE is programmed, then the phase selectable commands are sent only to the particular output phase set by INSTRument:NSElect. If INST:COUP ALL is programmed, then all commands are sent to all three output phases.

INSTRument:NSElect selects the phase by its number, while INSTRument:SElect references it by name. These commands also select which output phase returns data when a query is sent.

| | |
|----------------------------|---|
| Command Syntax | INSTRument:NSElect <NR1> INSTRument:SElect <output> |
| Parameters | For INST:NSEL 1 2 3 For INST:SEL OUTPut1 OUTPut2 OUTPut3 |
| *RST Value | 1 or OUTPut1 |
| Examples | INST:NSEL 3 INST:SEL OUTP1 |
| Query Syntax | INSTRument:NSElect? |
| Returned Parameters | <NR1> |
| Related Commands | INST:COUP |

Measurement Subsystem (Arrays)

This subsystem lets you retrieve arrays containing measurements data. Only current and voltage measurements are stored in an array. Two measurement commands are available: MEASure and FETCh. MEASure triggers the acquisition of new data before returning the readings from the array. FETCh returns previously acquired data from the array.

Individual outputs of a three-phase source are specified by the setting of INSTRument:NSElect.

Subsystem Syntax

| | |
|-----------------|--|
| MEASure FETCh | |
| :ARRay | |
| :CURRent | |
| [:DC]? | Returns the digitized instantaneous current |
| :HARMonic | |
| [:AMPLitude]? | Returns amplitudes of the first 50 harmonics |
| :PHASe? | Returns phase angles of the first 50 harmonics |
| :NEUTral | |
| [:DC]? | Returns the neutral digitized instantaneous current (3-phase only) |
| :HARMonic | |
| [:AMPLitude]? | Returns neutral current harmonic amplitude |
| :PHASe? | Returns neutral current harmonic phase |
| :VOLTage | |
| [:DC]? | Returns the digitized instantaneous voltage |
| :HARMonic | |
| [:AMPLitude]? | Returns amplitudes of the first 50 harmonics |
| :PHASe? | Returns phase angles of the first 50 harmonics |

MEASure:ARRay:CURRent?

FETCh:ARRay:CURRent?

Phase Selectable

These queries return an array containing the instantaneous output current in amperes. The output voltage and current are digitized whenever a measure command is given or whenever an acquire trigger occurs. If digitization is caused by a measure command, the time interval between samples is determined by the output frequency. For frequencies greater than 45Hz, the time interval is 25 microseconds. If digitization is caused by an acquire trigger, the time interval is set by SENSE:SWEep:TINTerval, and the position of the trigger relative to the beginning of the data buffer is determined by SENSE:SWEep:OFFSet:POINTs.

| | | |
|----------------------------|-----------------------------|---------------------------|
| Query Syntax | MEASure:ARRay:CURRent[:DC]? | FETCh:ARRay:CURRent[:DC]? |
| Parameters | None | |
| Examples | MEAS:ARR:CURR? | FETC:ARR:CURR? |
| Returned Parameters | 4096 NR3 values | |
| Related Commands | MEAS:ARR:VOLT? | |

MEASure:ARRay:CURRent:HARMonic? FETCh:ARRay:CURRent:HARMonic?

Phase Selectable

These queries return an array of harmonic amplitudes of output current in rms amperes.

The first value returned is the dc component, the second value is the fundamental frequency, and so on up to the 50th harmonic. Harmonic orders can be measured up to the fundamental measurement bandwidth of the measurement system, which is 12.6kHz. Thus, the maximum harmonic that can be measured is dependent on the output frequency. Any harmonics that represent frequencies greater than 12.6kHz are returned as 0.

| | | |
|----------------------------|---|---|
| Query Syntax | MEASure:ARRay:CURRent:HARMonic[:AMPLitude]? | FETCh:ARRay:CURRent:HARMonic[:AMPLitude]? |
| Parameters | None | |
| Examples | MEAS:ARR:CURR:HARM? | FETC:ARR:CURR:HARM? |
| Returned Parameters | 51 NR3 values | |
| Related Commands | MEAS:ARR:VOLT:HARM? | MEAS:ARR:CURR:HARM:PHAS? |

MEASure:ARRay:CURRent:HARMonic:PHASe? FETCh:ARRay:CURRent:HARMonic:PHASe?

Phase Selectable

These queries return an array of harmonic phases of output current in degrees, referenced to the positive zero crossing of the fundamental component.

The first value returned is the dc component (always returned as 0 degrees phase) , the second value is the fundamental frequency, and so on up to the 50th harmonic. Harmonic orders can be measured up to the fundamental measurement bandwidth of the measurement system, which is 12.6kHz. Thus the maximum harmonic that can be measured is dependent on the output frequency. Any harmonics that represent frequencies greater than 12.6kHz are returned as 0.

| | | |
|----------------------------|---|---|
| Query Syntax | MEASure:ARRay:CURRent:HARMonic:PHASe? <NRf> | FETCh:ARRay:CURRent:HARMonic:PHASe? <NRf> |
| Parameters | None | |
| Examples | MEAS:ARR:CURR:HARM:PHAS? | FETC:ARR:CURR:HARM:PHAS? |
| Returned Parameters | 51 NR3 values | |
| Related Commands | MEAS:ARR:VOLT:HARM:PHAS? | MEAS:ARR:CURR:HARM? |

MEASure:ARRay:CURRent:NEUTral? FETCh:ARRay:CURRent:NEUTral?

Agilent 6834B Only

These queries return an array containing the instantaneous output current of the neutral output terminal in amperes.

The output voltage and current are digitized whenever a measure command is given or whenever an acquire trigger occurs. If digitization is caused by a measure command, the time interval between samples is determined by the output frequency. For frequencies greater than 45Hz, the time interval is 25 microseconds. If digitization is caused by an acquire trigger, the time interval is set by SENSE:SWEep:TINTerval, and the position of the trigger relative to the beginning of the data buffer is determined by SENSE:SWEep:OFFSet:POINTs.

| | |
|----------------------------|--|
| Query Syntax | MEASure:ARRay:CURRent:NEUTral[:DC]? FETCh:ARRay:CURRent:NEUTral[:DC]? |
| Parameters | None |
| Examples | MEAS:ARR:CURR:NEUT? FETC:ARR:CURR:NEUT? |
| Returned Parameters | 4096 NR3 values |

MEASure:ARRay:CURRent:NEUTral:HARMonic? FETCh:ARRay:CURRent:NEUTral:HARMonic?

Agilent 6834B Only

These queries return an array of harmonic amplitudes of output current of the neutral output terminal in rms amperes.

The first value returned is the dc component, the second value is the fundamental frequency, and so on up to the 50th harmonic. Harmonic orders can be measured up to the fundamental measurement bandwidth of the measurement system, which is 12.6kHz. Thus, the maximum harmonic that can be measured is dependent on the output frequency. Any harmonics that represent frequencies greater than 12.6kHz are returned as 0.

| | |
|----------------------------|--|
| Query Syntax | MEASure:ARRay:CURRent:NEUTral:HARMonic[:AMPLitude]? FETCh:ARRay:CURRent:NEUTral:HARMonic[:AMPLitude]? |
| Parameters | None |
| Examples | MEAS:ARR:CURR:NEUT:HARM? FETC:ARR:CURR:NEUT:HARM? |
| Returned Parameters | 51 NR3 values |
| Related Commands | MEAS:ARR:CURR:NEUT:HARM:PHAS? |

**MEASure:ARRay:CURRent:NEUTral:HARMonic:PHASe?
FETCh:ARRay:CURRent:NEUTral:HARMonic:PHASe?**

Agilent 6834B Only

These queries return an array of harmonic phases of output current of the neutral output terminal in degrees, referenced to the positive zero crossing of the fundamental component.

The first value returned is the dc component (always returned as 0 degrees phase) , the second value is the fundamental frequency, and so on up to the 50th harmonic. Harmonic orders can be measured up to the fundamental measurement bandwidth of the measurement system, which is 12.6kHz. Thus the maximum harmonic that can be measured is dependent on the output frequency. Any harmonics that represent frequencies greater than 12.6kHz are returned as 0.

| | |
|----------------------------|--|
| Query Syntax | MEASure:ARRay:CURRent:NEUTral:HARMonic:PHASe? FETCh:ARRay:CURRent:NEUTral:HARMonic:PHASe? |
| Parameters | None |
| Examples | MEAS : ARR : CURR : NEUT : HARM : PHAS ? FETC : ARR : CURR : NEUT : HARM : PHAS ? |
| Returned Parameters | 51 NR3 values |
| Related Commands | MEAS:ARR:CURR:NEUT:HARM? |

**MEASure:ARRay:VOLTage?
FETCh:ARRay:VOLTage?**

Phase Selectable

These queries return an array containing the instantaneous output voltage in volts.

The output voltage and current are digitized whenever a measure command is given or whenever an acquire trigger occurs. If digitization is caused by a measure command, the time interval between samples is determined by the output frequency. For frequencies greater than 45Hz, the time interval is 25 microseconds. If digitization is caused by an acquire trigger, the time interval is set by SENSE:SWEp:TINTerval, and the position of the trigger relative to the beginning of the data buffer is determined by SENSE:SWEp:OFFSet:POINTs.

| | |
|----------------------------|--|
| Query Syntax | MEASure:ARRay:VOLTage[:DC]? FETCh:ARRay:VOLTage[:DC]? |
| Parameters | None |
| Examples | MEAS : ARR : VOLT ? FETC : ARR : VOLT ? |
| Returned Parameters | 4096 NR3 values |
| Related Commands | MEAS:ARR:CURR? |

MEASure:ARRay:VOLTage:HARMonic? FETCh:ARRay:VOLTage:HARMonic?

Phase Selectable

These queries return an array of harmonic amplitudes of output voltage in rms volts.

The first value returned is the dc component, the second value is the fundamental frequency, and so on up to the 50th harmonic. Harmonic orders can be measured up to the fundamental measurement bandwidth of the measurement system, which is 12.6kHz. Thus, the maximum harmonic that can be measured is dependent on the output frequency. Any harmonics that represent frequencies greater than 12.6kHz are returned as 0.

| | | |
|----------------------------|---|---|
| Query Syntax | MEASure:ARRay:VOLTage:HARMonic[:AMPLitude]? | FETCh:ARRay:VOLTage:HARMonic[:AMPLitude]? |
| Parameters | None | |
| Examples | MEAS:ARR:VOLT:HARM? | FETC:ARR:VOLT:HARM? |
| Returned Parameters | 51 NR3 values | |
| Related Commands | MEAS:ARR:CURR:HARM? | MEAS:ARR:VOLT:HARM:PHAS? |

MEASure:ARRay:VOLTage:HARMonic:PHASe? FETCh:ARRay:VOLTage:HARMonic:PHASe?

Phase Selectable

These queries return an array of harmonic phases of output voltage in degrees, referenced to the positive zero crossing of the fundamental component.

The first value returned is the dc component (always returned as 0 degrees phase), the second value is the fundamental frequency, and so on up to the 50th harmonic. Harmonic orders can be measured up to the fundamental measurement bandwidth of the measurement system, which is 12.6kHz. Thus the maximum harmonic that can be measured is dependent on the output frequency. Any harmonics that represent frequencies greater than 12.6kHz are returned as 0.

| | | |
|----------------------------|---|---|
| Query Syntax | MEASure:ARRay:VOLTage:HARMonic:PHASe? <NRf> | FETCh:ARRay:VOLTage:HARMonic:PHASe? <NRf> |
| Parameters | None | |
| Examples | MEAS:ARR:VOLT:HARM:PHAS? | FETC:ARR:VOLT:HARM:PHAS? |
| Returned Parameters | 51 NR3 values | |
| Related Commands | MEAS:ARR:CURR:HARM:PHAS? | MEAS:ARR:VOLT:HARM? |

Measurement Subsystem (Current)

This subsystem programs the current measurement capability of the ac source. Two measurement commands are available: MEASure and FETCh. MEASure triggers the acquisition of new measurement data before returning a reading. FETCh returns a reading computed from previously acquired data.

Individual outputs of a three-phase source are specified by the setting of INSTRument:NSElect.

Subsystem Syntax

| | |
|-------------------|---|
| MEASure FETCh | |
| [:SCALar] | |
| :CURRent | |
| [:DC]? | Returns dc component of the current |
| :AC? | Returns ac rms current |
| :ACDC? | Returns ac+dc rms current |
| :AMPLitude | |
| :MAX? | Returns peak current |
| :CREStfactor? | Returns current crestfactor |
| :HARMonic | |
| [:AMPLitude]? <n> | Returns amplitude of the Nth harmonic of current |
| :PHASe? <n> | Returns phase of the Nth harmonic of current |
| :THD? | Returns % of total harmonic distortion of current |
| :NEUTral | |
| [:DC]? | Returns neutral dc current (3-phase only) |
| :AC? | Returns neutral ac rms current (3-phase only) |
| :ACDC? | Returns neutral ac+dc rms current (3-phase only) |
| :HARMonic | |
| [:AMPLitude]? <n> | Returns neutral current harmonic amplitude (3-phase only) |
| :PHASe? <n> | Returns neutral current harmonic phase (3-phase only) |

MEASure:CURRent?

FETCh:CURRent?

Phase Selectable

These queries return the dc component of the output current being sourced at the output terminals.

| | |
|----------------------------|--------------------------------|
| Query Syntax | MEASure:[SCALar]:CURRent[:DC]? |
| | FETCh:[SCALar]:CURRent[:DC]? |
| Parameters | None |
| Examples | MEAS:CURR? FETC:CURR? |
| Returned Parameters | <NR3> |
| Related Commands | MEAS:VOLT? MEAS:CURR:AC? |

MEASure:CURRent:AC? FETCh:CURRent:AC?

Phase Selectable

These queries return the ac component rms current being sourced at the output terminals.

| | |
|----------------------------|--|
| Query Syntax | MEASure:[SCALar]:CURRent:AC? FETCh:[SCALar]:CURRent:AC? |
| Parameters | None |
| Examples | MEAS:CURR:AC? FETC:CURR:AC? |
| Returned Parameters | <NR3> |
| Related Commands | MEAS:VOLT:AC? MEAS:CURR? |

MEASure:CURRent:ACDC? FETCh:CURRent:ACDC?

Phase Selectable

These queries return the ac+dc rms current being sourced at the output terminals.

| | |
|----------------------------|--|
| Query Syntax | MEASure:[SCALar]:CURRent:ACDC? FETCh:[SCALar]:CURRent:ACDC? |
| Parameters | None |
| Examples | MEAS:CURR:ACDC? FETC:CURR:ACDC? |
| Returned Parameters | <NR3> |
| Related Commands | MEAS:VOLT:ACDC? MEAS:CURR:AMPL:MAX? |

MEASure:CURRent:AMPLitude:MAXimum? FETCh:CURRent:AMPLitude:MAXimum?

Phase Selectable

These queries return the absolute value of the peak current as sampled over one measurement acquisition of 4096 data points.

| | |
|----------------------------|--|
| Query Syntax | MEASure:[SCALar]:CURRent:AMPLitude:MAXimum? FETCh:[SCALar]:CURRent:AMPLitude:MAXimum? |
| Parameters | None |
| Examples | MEAS:CURR:AMPL:MAX? FETC:CURR:AMPL:MAX? |
| Returned Parameters | <NR3> |
| Related Commands | MEAS:CURR:ACDC? MEAS:CURR:CRES? |

**MEASure:CURRent:CREStfactor?
FETCh:CURRent:CREStfactor?**

Phase Selectable

These queries return the output current crest factor. This is the ratio of peak output current to rms output current.

| | |
|----------------------------|--|
| Query Syntax | MEASure:[SCALar]:CURRent:CREStfactor? FETCh:[SCALar]:CURRent:CREStfactor? |
| Parameters | None |
| Examples | MEAS:CURR:CRES? FETC:CURR:CRES? |
| Returned Parameters | <NR3> |
| Related Commands | MEAS:CURR:ACDC? MEAS:CURR:AMPL:MAX? |

**MEASure:CURRent:HARMonic?
FETCh:CURRent:HARMonic?**

Phase Selectable

These queries return the rms amplitude of the Nth harmonic of output current.

The parameter is the desired harmonic number. Queries sent with a value of 0 return the dc component. A value of 1 returns the fundamental output frequency. Harmonic orders can be queried up to the fundamental measurement bandwidth of the measurement system, which is 12.6kHz. Thus the maximum harmonic that can be measured is dependent on the output frequency. Any harmonics that represent frequencies greater than 12.6kHz are returned as 0.

| | |
|----------------------------|--|
| Query Syntax | MEASure:[SCALar]:CURRent:HARMonic[:AMPLitude]? <NRf> FETCh:[SCALar]:CURRent:HARMonic[:AMPLitude]? <NRf> |
| Parameters | 0 to 50 |
| Examples | MEAS:CURR:HARM? 3 FETC:CURR:HARM? 1 |
| Returned Parameters | <NR3> |
| Related Commands | MEAS:CURR:HARM:PHAS? MEAS:CURR:HARM:THD? |

MEASure:CURRENT:HARMonic:PHASe? FETCh:CURRENT:HARMonic:PHASe?

Phase Selectable

These queries return the phase angle of the Nth harmonic of output current, referenced to the positive zero crossing of the fundamental component.

The parameter is the desired harmonic number. Queries sent with a value of 0 return the dc component. A value of 1 returns the fundamental output frequency. Harmonic orders can be queried up to the fundamental measurement bandwidth of the measurement system, which is 12.6kHz. Thus the maximum harmonic that can be measured is dependent on the output frequency. Any harmonics that represent frequencies greater than 12.6kHz are returned as 0.

| | |
|----------------------------|--|
| Query Syntax | MEASure:[SCALar]:CURRENT:HARMonic:PHASe? <NRf> FETCh:[SCALar]:CURRENT:HARMonic:PHASe? <NRf> |
| Parameters | 0 to 50 |
| Examples | MEAS:CURR:HARM:PHAS? 3 FETC:CURR:HARM:PHAS? 1 |
| Returned Parameters | <NR3> |
| Related Commands | MEAS:CURR:HARM? MEAS:CURR:HARM:THD? |

MEASure:CURRENT:HARMonic:THD? FETCh:CURRENT:HARMonic:THD?

Phase Selectable

These queries return the percentage of total harmonic distortion and noise in the output current.

| | |
|----------------------------|--|
| Query Syntax | MEASure:[SCALar]:CURRENT:HARMonic:THD? FETCh:[SCALar]:CURRENT:HARMonic:THD? |
| Parameters | None |
| Examples | MEAS:CURR:HARM:THD? FETC:CURR:HARM:THD? |
| Returned Parameters | <NR3> |
| Related Commands | MEAS:CURR:HARM? MEAS:CURR:HARM:PHAS? |

MEASure:CURRENT:NEUTral? FETCh:CURRENT:NEUTral?

Agilent 6834B Only

These queries return the dc current in the neutral output terminal of a three-phase ac source.

| | |
|----------------------------|--|
| Query Syntax | MEASure:[SCALar]:CURRENT:NEUTral[:DC]? FETCh:[SCALar]:CURRENT:NEUTral[:DC]? |
| Parameters | None |
| Examples | MEAS:CURR:NEUT? FETC:CURR:NEUT? |
| Returned Parameters | <NR3> |
| Related Commands | MEAS:CURR:NEUT:AC? MEAS:CURR:NEUT:ACDC? |

**MEASure:CURRent:NEUTral:AC?
FETCh:CURRent:NEUTral:AC?**

Agilent 6834B Only

These queries return the ac rms current in the neutral output terminal of a three-phase ac source.

| | |
|----------------------------|--|
| Query Syntax | MEASure:[SCALar]:CURRent:NEUTral:AC? FETCh:[SCALar]:CURRent:NEUTral:AC? |
| Parameters | None |
| Examples | MEAS : CURR : NEUT : AC? FETC : CURR : NEUT : AC? |
| Returned Parameters | <NR3> |
| Related Commands | MEAS:CURR:NEUT? MEAS:CURR:NEUT:ACDC? |

**MEASure:CURRent:NEUTral:ACDC?
FETCh:CURRent:NEUTral:ACDC?**

Agilent 6834B Only

These queries return the ac+dc rms current in the neutral output terminal of a three-phase .

| | |
|----------------------------|--|
| Query Syntax | MEASure:[SCALar]:CURRent:NEUTral:ACDC? FETCh:[SCALar]:CURRent:NEUTral:ACDC? |
| Parameters | None |
| Examples | MEAS : CURR : NEUT : ACDC? FETC : CURR : NEUT : ACDC? |
| Returned Parameters | <NR3> |
| Related Commands | MEAS:CURR:NEUT? MEAS:CURR:NEUT:AC? |

**MEASure:CURRent:NEUTral:HARMonic?
FETCh:CURRent:NEUTral:HARMonic?**

Agilent 6834B Only

These queries return the rms amplitude of the Nth harmonic of current in the neutral output terminal of a three-phase ac source.

The parameter is the desired harmonic number. Queries sent with a value of 0 return the dc component. A value of 1 returns the fundamental output frequency. Harmonic orders can be queried up to the fundamental measurement bandwidth of the measurement system, which is 12.6kHz. Thus the maximum harmonic that can be measured is dependent on the output frequency. Any harmonics that represent frequencies greater than 12.6kHz are returned as 0.

| | |
|----------------------------|--|
| Query Syntax | MEASure:[SCALar]:CURRent:NEUTral:HARMonic[:AMPLitude]? <NRf> FETCh:[SCALar]:CURRent:NEUTral:HARMonic[:AMPLitude]? <NRf> |
| Parameters | 0 to 50 |
| Examples | MEAS : CURR : NEUT : HARM? 3 FETC : CURR : NEUT : HARM? 1 |
| Returned Parameters | <NR3> |
| Related Commands | MEAS:CURR:NEUT:HARM:PHAS? |

MEASure:CURRent:NEUTral:HARMonic:PHASe?
FETCh:CURRent:NEUTral:HARMonic:PHASe?

Agilent 6834B Only

These queries return the phase angle of the Nth harmonic of current in the neutral output terminal of a three-phase ac source, referenced to the positive zero crossing of the fundamental component.

The parameter is the desired harmonic number. Queries sent with a value of 0 return the dc component. A value of 1 returns the fundamental output frequency. Harmonic orders can be queried up to the fundamental measurement bandwidth of the measurement system, which is 12.6kHz. Thus the maximum harmonic that can be measured is dependent on the output frequency. Any harmonics that represent frequencies greater than 12.6kHz are returned as 0.

Query Syntax MEASure:[SCALar]:CURRent:NEUTral:HARMonic:PHASe? <NRf>
 FETCh:[SCALar]:CURRent:NEUTral:HARMonic:PHASe? <NRf>

Parameters 0 to 50

Examples MEAS:CURR:NEUT:HARM:PHAS? 3
 FETC:CURR:NEUT:HARM:PHAS? 1

Returned Parameters <NR3>

Related Commands MEAS:CURR:NEUT:HARM?

Measurement Subsystem (Frequency)

This subsystem programs the frequency measurement capability of the ac source. Two measurement commands are available: MEASure and FETCh. MEASure triggers the acquisition of new measurement data before returning a reading. FETCh returns a reading computed from previously acquired data.

Subsystem Syntax

MEASure | FETCh
[:SCALar]
:FREQuency? Returns the output frequency

MEASure:FREQuency?

FETCh:FREQuency?

This query returns the output frequency in Hertz.

| | |
|----------------------------|--|
| Query Syntax | MEASure:[SCALar]:FREQuency? FETCh:[SCALar]:FREQuency? |
| Parameters | None |
| Examples | MEAS:FREQ? FETC:FREQ? |
| Returned Parameters | <NR3> |

Measurement Subsystem (Power)

This subsystem programs the power measurement capability of the ac source. Two measurement commands are available: MEASure and FETCh. MEASure triggers the acquisition of new measurement data before returning a reading. FETCh returns a reading computed from previously acquired data. Individual outputs of a three-phase source are specified by the setting of INSTRument:NSElect.

Subsystem Syntax

```
MEASure | FETCh
  [:SCALar]
    :POWer
      [:DC]?      Returns the dc component of power
      :AC
        [:REAL]?  Returns real power
        :APParent? Returns VA
        :REACtive? Returns VAR
        :PFACTOR? Returns power factor
        :TOTal?  Returns real 3-phase total power
```

MEASure:POWer?

FETCh:POWer?

Phase Selectable

These queries return the dc component of the power being sourced at the output terminals in watts.

| | |
|----------------------------|------------------------------|
| Query Syntax | MEASure:[SCALar]:POWer[:DC]? |
| | FETCh:[SCALar]:POWer[:DC]? |
| Parameters | None |
| Examples | MEAS:POW? FETC:POW? |
| Returned Parameters | <NR3> |
| Related Commands | MEAS:POW:AC? |

MEASure:POWer:AC?

FETCh:POWer:AC?

Phase Selectable

These queries return the in-phase component of power being sourced at the output terminals in watts.

| | |
|----------------------------|-----------------------------------|
| Query Syntax | MEASure:[SCALar]:POWer:AC[:REAL]? |
| | FETCh:[SCALar]:POWer:AC[:REAL]? |
| Parameters | None |
| Examples | MEAS:POW:AC? FETC:POW:AC? |
| Returned Parameters | <NR3> |
| Related Commands | MEAS:POW? |

MEASure:POWer:AC:APParent?
FETCh:POWer:AC:APParent?

Phase Selectable

These queries return the apparent power being sourced at the output terminals in volt-amperes.

| | |
|----------------------------|--|
| Query Syntax | MEASure:[SCALar]:POWer:AC:APParent? FETCh:[SCALar]:POWer:AC:APParent? |
| Parameters | None |
| Examples | MEAS:POW:AC:APP? FETC:POW:AC:APP? |
| Returned Parameters | <NR3> |
| Related Commands | MEAS:POW:REAC? MEAS:POW:PFAC? |

MEASure:POWer:AC:REACtive?
FETCh:POWer:AC:REACtive?

Phase Selectable

These queries return the reactive power being sourced at the output terminals in volt-amperes reactive.

Reactive power is computed as:

$$\text{VAR} = \text{sqrt}(\text{square}(\text{apparent power}) - \text{square}(\text{real power}))$$

| | |
|----------------------------|--|
| Query Syntax | MEASure:[SCALar]:POWer:AC:REACtive? FETCh:[SCALar]:POWer:AC:REACtive? |
| Parameters | None |
| Examples | MEAS:POW:AC:REAC? FETC:POW:AC:REAC? |
| Returned Parameters | <NR3> |
| Related Commands | MEAS:POW:AC:APP? MEAS:POW:PFAC? |

MEASure:POWer:AC:PFACtor?
FETCh:POWer:AC:PFACtor?

Phase Selectable

These queries return the output power factor. The power factor is computed as:

$$\text{pfactor} = \text{real power}/\text{apparent power}$$

| | |
|----------------------------|--|
| Query Syntax | MEASure:[SCALar]:POWer:AC:PFACtor? FETCh:[SCALar]:POWer:AC:PFACtor? |
| Parameters | None |
| Examples | MEAS:POW:AC:PFAC? FETC:POW:AC:PFAC? |
| Returned Parameters | <NR3> |
| Related Commands | MEAS:POW:AC:APP? MEAS:POW:REAC? |

MEASure:POWer:AC:TOTal?
FETCh:POWer:AC:TOTal?**Agilent 6834B Only**

These queries return the total power being sourced at the output terminals of a three-phase ac source.

| | |
|----------------------------|--|
| Query Syntax | MEASure:[SCALar]:POWer:AC:TOTal? |
| | FETCh:[SCALar]:POWer:AC:TOTal? |
| Parameters | None |
| Examples | MEAS:POW:AC:TOT? FETC:POW:AC:TOT? |
| Returned Parameters | <NR3> |

Measurement Subsystem (Voltage)

This subsystem programs the voltage measurement capability of the ac source. Two measurement commands are available: MEASure and FETCh. MEASure triggers the acquisition of new measurement data before returning a reading. FETCh returns a reading computed from previously acquired data. Individual outputs of a three-phase source are specified by the setting of INSTRument:NSElect.

Subsystem Syntax

| | |
|-------------------|---|
| MEASure FETCh | |
| [:SCALar] | |
| :VOLTage | |
| [:DC]? | Returns dc component of the voltage |
| :AC? | Returns ac rms voltage |
| :ACDC? | Returns ac+dc rms voltage |
| :HARMonic | |
| [:AMPLitude]? <n> | Returns amplitude of the Nth harmonic of voltage |
| :PHASe? <n> | Returns phase of the Nth harmonic of voltage |
| :THD? | Returns % of total harmonic distortion of voltage |

MEASure:VOLTage?

FETCh:VOLTage?

Phase Selectable

These queries return the dc component of the output voltage being sourced at the output terminals.

| | |
|----------------------------|--------------------------------|
| Query Syntax | MEASure:[SCALar]:VOLTage[:DC]? |
| | FETCh:[SCALar]:VOLTage[:DC]? |
| Parameters | None |
| Examples | MEAS:VOLT? FETC:VOLT? |
| Returned Parameters | <NR3> |
| Related Commands | MEAS:CURR? MEAS:VOLT:AC? |

MEASure:VOLTage:AC?

FETCh:VOLTage:AC?

Phase Selectable

These queries return the ac rms voltage being sourced at the output terminals.

| | |
|----------------------------|----------------------------------|
| Query Syntax | MEASure:[SCALar]:VOLTage:AC? |
| | FETCh:[SCALar]:VOLTage:AC? |
| Parameters | None |
| Examples | MEAS:VOLT:AC? FETC:VOLT:AC? |
| Returned Parameters | <NR3> |
| Related Commands | MEAS:CURR:AC? MEAS:VOLT? |

MEASure:VOLTage:ACDC? FETCh:VOLTage:ACDC?

Phase Selectable

These queries return the ac+dc rms voltage being sourced at the output terminals.

| | |
|----------------------------|--|
| Query Syntax | MEASure:[SCALar]:VOLTage:ACDC? FETCh:[SCALar]:VOLTage:ACDC? |
| Parameters | None |
| Examples | MEAS:VOLT:ACDC? FETC:VOLT:ACDC? |
| Returned Parameters | <NR3> |
| Related Commands | MEAS:CURR:ACDC? MEAS:VOLT? |

MEASure:VOLTage:HARMonic? FETCh:VOLTage:HARMonic?

Phase Selectable

These queries return the rms amplitude of the Nth harmonic of output voltage.

The parameter is the desired harmonic number. Queries sent with a value of 0 return the dc component. A value of 1 returns the fundamental output frequency. Harmonic orders can be queried up to the fundamental measurement bandwidth of the measurement system, which is 12.6kHz. Thus the maximum harmonic that can be measured is dependent on the output frequency. Any harmonics that represent frequencies greater than 12.6kHz are returned as 0.

| | |
|----------------------------|--|
| Query Syntax | MEASure:[SCALar]:VOLTage:HARMonic[:AMPLitude]? <NRf> FETCh:[SCALar]:VOLTage:HARMonic[:AMPLitude]? <NRf> |
| Parameters | 0 to 50 |
| Examples | MEAS:VOLT:HARM? 3 FETC:VOLT:HARM? 1 |
| Returned Parameters | <NR3> |
| Related Commands | MEAS:VOLT:HARM:PHAS? MEAS:VOLT:HARM:THD? |

MEASure:VOLTage:HARMonic:PHASe? FETCh:VOLTage:HARMonic:PHASe?

Phase Selectable

These queries return the phase angle of the Nth harmonic of output voltage, referenced to the positive zero crossing of the fundamental component.

The parameter is the desired harmonic number. Queries sent with a value of 0 return the dc component. A value of 1 returns the fundamental output frequency. Harmonic orders can be queried up to the fundamental measurement bandwidth of the measurement system, which is 12.6kHz. Thus the maximum harmonic that can be measured is dependent on the output frequency. Any harmonics that represent frequencies greater than 12.6kHz are returned as 0.

| | |
|----------------------------|--|
| Query Syntax | MEASure:[SCALar]:VOLTage:HARMonic:PHASe? <NRf> FETCh:[SCALar]:VOLTage:HARMonic:PHASe? <NRf> |
| Parameters | 0 to 50 |
| Examples | MEAS:VOLT:HARM:PHAS? 3 FETC:VOLT:HARM:PHAS? 1 |
| Returned Parameters | <NR3> |
| Related Commands | MEAS:VOLT:HARM? MEAS:VOLT:HARM:THD? |

MEASure:VOLTage:HARMonic:THD? FETCh:VOLTage:HARMonic:THD?

Phase Selectable

These queries return the percentage of total harmonic distortion and noise in the output voltage.

| | |
|----------------------------|--|
| Query Syntax | MEASure:[SCALar]:VOLTage:HARMonic:THD? FETCh:[SCALar]:VOLTage:HARMonic:THD? |
| Parameters | None |
| Examples | MEAS:VOLT:HARM:THD? FETC:VOLT:HARM:THD? |
| Returned Parameters | <NR3> |
| Related Commands | MEAS:VOLT:HARM? MEAS:VOLT:HARM:PHAS? |

Output Subsystem

This subsystem controls the main outputs, the signal outputs, the power-on state, and the output protection function of the ac source.

Subsystem Syntax

OUTPut

| | |
|----------------------|---|
| [:STATe] <bool> | Enable/disable output voltage, current, power, etc. |
| :COUPling <coupling> | Enables ac or dc output coupling (AC DC) |
| :DFI | |
| [:STATe] <bool> | Enable/disable DFI output |
| :SOURce <source> | Selects an event source (QUES OPER ESB RQS OFF) |
| :IMPedance | |
| [:STATe] <bool> | Enable/disable output impedance programming |
| :REAL <n> | Sets resistive part of output impedance |
| :REACTive <n> | Sets inductive part of output impedance |
| :PON | |
| :STATe <state> | Set power-on state (*RST *RCL0) |
| :PROTection | |
| :CLEAr | Reset latched protection |
| :DELAy <n> | Delay after programming/before protection |
| :RI | |
| :MODE <mode> | Set remote inhibit input (LATC LIVE OFF) |
| :TTLTrg | |
| [:STATe] <bool> | Enable/disable trigger out drive |
| :SOURce <source> | Selects a TTLTrg source (BOT EOT LIST) |

OUTPut

This command enables or disables the output. The state of a disabled output is an output voltage amplitude set to 0 volts, with output relays opened.

The query form returns the output state.

| | |
|----------------------------|-------------------------------|
| Command Syntax | OUTPut[:STATe] <bool> |
| Parameters | 0 1 OFF ON |
| *RST Value | OFF |
| Examples | OUTP 1 OUTP:STAT ON |
| Query Syntax | OUTPut[:STATe]? |
| Returned Parameters | 0 1 |
| Related Commands | *RCL *SAV |

OUTPut:COUPLing**Agilent 6811B, 6812B, 6813B, Only**

This command enables ac or dc output coupling. When the output coupling is set to **AC**, a dc leveling loop attempts to maintain zero average output voltage. The loop has a corner frequency of about 2Hz. It will not prevent short transient waveforms that may have non-zero average voltage, but will cause a settling transient to an average value of 0 volts.

The output coupling must be set to **DC** to obtain dc output with VOLTage:OFFSet, or to generate output transients that have net dc components.

| | |
|----------------------------|----------------------------|
| Command Syntax | OUTPut:COUPLing <coupling> |
| Parameters | AC DC |
| *RST Value | AC |
| Examples | OUTP:COUP DC |
| Query Syntax | OUTPut:COUPLing? |
| Returned Parameters | <CRD> |
| Related Commands | *RCL *SAV |

OUTPut:DFI

This command enables or disables the discrete fault indicator (DFI) signal to the ac source.

| | |
|----------------------------|-----------------------------------|
| Command Syntax | OUTPut:DFI[:STATe] <bool> |
| Parameters | 0 1 OFF ON |
| *RST Value | OFF |
| Examples | OUTP:DFI 1 OUTP:DFI ON |
| Query Syntax | OUTPut:DFI[:STATe]? |
| Returned Parameters | 0 1 |
| Related Commands | OUTP:DFI:SOUR |

OUTPut:DFI:SOURce

This command selects the source for DFI events. The choices are:

| | |
|---------------------|-----------------------------|
| QUESTIONable | Questionable summary bit |
| OPERation | Operation summary bit |
| ESB | Standard Event summary bit |
| RQS | Request Service summary bit |
| OFF | Never true |

| | |
|----------------------------|--|
| Command Syntax | OUTPut:DFI:SOURce <source> |
| Parameters | QUEStionable OPERation ESP RQS OFF |
| *RST Value | OFF |
| Examples | OUTP:DFI:SOUR OPER |
| Query Syntax | OUTPut:DFI:SOURce? |
| Returned Parameters | <CRD> |
| Related Commands | OUTP:DFI |

OUTPut:IMPedance**Agilent 6811B, 6812B, 6813B, Only**

This command enables or disables the output impedance programming capability of the ac source.

| | |
|----------------------------|-----------------------------------|
| Command Syntax | OUTPut:IMPedance[:STATe] <bool> |
| Parameters | 0 1 OFF ON |
| *RST Value | OFF |
| Examples | OUTP:IMP 1 OUTP:IMP ON |
| Query Syntax | OUTPut:IMPedance[:STATe]? |
| Returned Parameters | 0 1 |
| Related Commands | OUTP:IMP:REAL OUTP:IMP:REAC |

OUTPut:IMPedance:REAL**Agilent 6811B, 6812B, 6813B, Only**

This command sets the real part of the output impedance of the ac source. OUTPut:IMPedance:STATe must be enabled for the programmed impedance to affect the output.

| | |
|----------------------------|-----------------------------|
| Command Syntax | OUTPut:IMPedance:REAL <NRf> |
| Parameters | 0 to 1 (ohms) |
| *RST Value | 0 |
| Examples | OUTP:IMP:REAL 0.25 |
| Query Syntax | OUTPut:IMPedance:REAL? |
| Returned Parameters | <NR3> |
| Related Commands | OUTP:IMP OUTP:IMP:REAC |

OUTPut:IMPedance:REACtive**Agilent 6811B, 6812B, 6813B, Only**

This command sets the reactive part of the output impedance of the ac source. OUTPut:IMPedance:STATe must be enabled for the programmed impedance to affect the output.

| | |
|----------------------------|---------------------------------|
| Command Syntax | OUTPut:IMPedance:REACtive <NRf> |
| Parameters | 0.00002 to 0.001 (henrys) |
| *RST Value | 0.0005 |
| Examples | OUTP:IMP:REAC 100E-6 |
| Query Syntax | OUTPut:IMPedance:REAC? |
| Returned Parameters | <NR3> |
| Related Commands | OUTP:IMP OUTP:IMP:REAL |

OUTPut:PON:STATe

This command selects the power-on state of the ac source. The following states can be selected:

- RST** Sets the power-on state to *RST. Refer to the *RST command as described later in this chapter for more information.
- RCL0** Sets the power-on state to *RCL 0. Refer to the *RCL command as described later in this chapter for more information.

| | |
|----------------------------|--------------------------|
| Command Syntax | OUTPut:PON:STATe <state> |
| Parameters | RST RCL0 |
| Examples | OUTP:PON:STAT RST |
| Query Syntax | OUTPut:PON:STATe? |
| Returned Parameters | <CRD> |
| Related Commands | *RST *RCL |

OUTPut:PROTection:CLEAr

This command clears the latch that disables the output when an overvoltage (OV), overcurrent (OC), overtemperature (OT), remote inhibit (RI), or power rail fault condition is detected. All conditions that generated the fault must be removed before the latch can be cleared. The output is then restored to the state it was in before the fault condition occurred.

| | |
|-------------------------|-------------------------|
| Command Syntax | OUTPut:PROTection:CLEAr |
| Parameters | None |
| Examples | OUTP:PROT:CLE |
| Related Commands | OUTP:PROT:DEL *SAV *RCL |

OUTPut:PROTection:DELAy

This command sets the delay time between the programming of an output change that produces a CL or UNREG status condition and the recording of that condition by the Questionable Status Condition register. The delay prevents momentary changes in status that can occur during programming from being registered as events by the status subsystem. In most cases these temporary conditions are not considered an event, and to record them as such would be a nuisance.

| | |
|----------------------------|--------------------------------|
| Command Syntax | OUTPut:PROTection:DELAy <NRf+> |
| Parameters | 0 to 100 MAXimum MINimum |
| Unit | S seconds) |
| *RST Value | 100 milliseconds |
| Examples | OUTP:PROT:DEL 75E-1 |
| Query Syntax | OUTPut:PROTection:DELAy? |
| Returned Parameters | <NR3> |
| Related Commands | OUTP:PROT:CLE *SAV *RCL |

OUTPut:RI:MODE

This command selects the mode of operation of the Remote Inhibit protection. The following modes can be selected:

| | |
|-----------------|--|
| LATChing | A TTL low at the RI input latches the output in the protection shutdown state, which can only be cleared by OUTPut:PROTection:CLEar. |
| LIVE | The output state follows the state of the RI input. A TTL low at the RI input turns the output off; a TTL high turns the output on. |
| OFF | The instrument ignores the RI input. |

| | |
|----------------------------|-----------------------|
| Command Syntax | OUTPut:RI:MODE <mode> |
| Parameters | LATChing LIVE OFF |
| *RST Value | LATChing |
| Examples | OUTP:RI:MODE LIVE |
| Query Syntax | OUTPut:RI:MODE? |
| Returned Parameters | <CRD> |
| Related Commands | OUTP:PROT:CLE |

OUTPut:TTLTrg

This command enables or disables the ac source Trigger Out signal, which is available at a BNC connector on the rear of the instrument.

| | |
|----------------------------|-------------------------------------|
| Command Syntax | OUTPut:TTLTrg[:STATe] <bool> |
| Parameters | 0 1 OFF ON |
| *RST Value | OFF |
| Examples | OUTP:TTLT 1 OUTP:TTLT ON |
| Query Syntax | OUTPut:TTLTrg[:STATe]? |
| Returned Parameters | 0 1 |
| Related Commands | OUTP:TTLT:SOUR |

OUTPut:TTLTrg:SOURce

This command selects the signal source for the Trig Out signal as follows:

| | |
|-------------|-------------------------------|
| BOT | Beginning of transient output |
| EOT | End of transient output |
| LIST | Specified by the TTLTrg list |

When an event becomes true at the selected TTLTrg source, a pulse is sent to the BNC connector on the rear of the ac source.

| | |
|----------------------------|-------------------------------|
| Command Syntax | OUTPut:TTLTrg:SOURce <source> |
| Parameters | BOT EOT LIST |
| *RST Value | BOT |
| Examples | OUTP:TTLT:SOUR LIST |
| Query Syntax | OUTPut:TTLTrg:SOURce? |
| Returned Parameters | <CRD> |
| Related Commands | OUTP:TTLT |

Sense Subsystem

This subsystem controls the measurement current range, the data acquire sequence, and the harmonic measurement window of the ac source.

Subsystem Syntax

```
SENSe
  :CURRent
    :ACDC
      :RANGe
        [:UPPer]<n>   Sets measurement current range
  :SWEep
    :OFFSet
      :POINts <n>    Define trigger points relative to the start of the digitizer data record
    :TINTerval <n>   Sets the digitizer sample spacing
  :WINDow
    [:TYPE] <type>   Sets measurement window type (KBESsel | RECTangular)
```

SENSe:CURRent:ACDC:RANGe

Agilent 6811B, 6812B, 6813B, Only

This command sets the current measurement range. There are two current measurement ranges:

Agilent **6811B**

High Range: 0 through 28.5671 A_{rms} (– 40.4 A_{peak} through + 40.4 A_{peak})

Low Range: 0 through 2.85671 A_{rms} (– 4.04 A_{peak} through + 4.04 A_{peak})

Agilent **6812B**, Agilent **6813B**

High Range: 0 through 57.1342 A_{rms} (– 80.8 A_{peak} through + 80.8 A_{peak})

Low Range: 0 through 5.71342 A_{rms} (– 8.08 A_{peak} through + 8.08 A_{peak})

The high range covers the maximum current measurement capability of the instrument. The low range increases the low current measurement sensitivity by a factor of 10 for greater accuracy and resolution.

The value that you program with SENS:CURR:ACDC:RANG must be the maximum rms current that you expect to measure. Based on this value, the instrument will select the range that gives the best resolution in measuring a sinusoidal waveform of that rms value. The crossover value of the two ranges is 5.71342 A_{rms} (2.85671 A_{rms} for Agilent 6811B)

| | |
|----------------------------|--|
| Command Syntax | SENSe:CURRent:ACDC:RANGe[:UPPer] <NRf+> |
| Parameters | 0 through 57.1342 MINimum MAXimum (all except Agilent 6811B) 0 through 28.5671 MINimum MAXimum (Agilent 6811B only) |
| Unit | A (rms amperes) |
| *RST Value | MAX (high range) |
| Examples | SENS:CURR:ACDC:RANGE MIN |
| Query Syntax | SENSe:CURRent:ACDC:RANGe? |
| Returned Parameters | <NR3> |
| Related Commands | SENS:SWE:TINT MEAS:ARR |

SENSe:SWEep:OFFSet:POINts

This command defines the trigger point relative to the start of the returned data record when an acquire trigger is used. The values can range from -4095 to 2E9. When the values are negative, the values in the beginning of the data record represent samples taken prior to the trigger.

| | |
|----------------------------|--------------------------------------|
| Command Syntax | SENSe:SWEep:OFFSet:POINts <NRf+> |
| Parameters | 4096 through 2E9 MINimum MAXimum |
| *RST Value | 0 (zero) |
| Examples | SENS:SWE:OFFS:POIN -2047 |
| Query Syntax | SENSe:SWEep:OFFSet:POINts? |
| Returned Parameters | <NR3> |
| Related Commands | SENS:SWE:TINT MEAS:ARR |

SENSe:SWEep:TINTerval

This command defines the time period between samples when voltage and current digitization is controlled by the acquire trigger sequence. The sample period can be programmed from 25 to 250 microseconds in 25 microsecond increments.

NOTE: All the MEASure commands use the ACQUIRE trigger sequence implicitly. These commands always set the sample period to 25 microseconds.

| | |
|----------------------------|--|
| Command Syntax | SENSe:SWEep:TINTeral <NRf+> |
| Parameters | 25.037 through 250.37 (microseconds) MAXimum MINimum |
| *RST Value | 25.037 μ s (Agilent 6814B/6834B) 25.049 μ s (Agilent 6811B/6812B/6813B/6843A) |
| Examples | SENS:SWE:TINT 100E-6 |
| Query Syntax | SENSe:SWEep:TINTerval? |
| Returned Parameters | <NR3> |
| Related Commands | SENS:SWE:OFFS:POIN MEAS:ARR |

SENSe:WINDow**Phase Selectable**

This command sets the window function which is used in harmonic measurements. KBESsel is the preferred window and should be used for most measurements. RECTangular is available for making harmonic measurements that comply with regulatory requirements for quasi-stationary harmonics.

When RECTangular is selected, the output frequency is constrained to frequencies that give an integer number of cycles in the acquired waveform buffers, and the measurement acquisition time is set to 0.1 seconds. Any programmed output frequency will be routed to the closest frequency that has this attribute. These frequencies are exact multiples of 10.000207Hz

| | |
|----------------------------|----------------------------|
| Command Syntax | SENSe:WINDow[:TYPE] <type> |
| Parameters | RECTangular KBESsel |
| *RST Value | KBESsel |
| Examples | SENS:WIND KBES |
| Query Syntax | SENSe:WINDow? |
| Returned Parameters | <CRD> |

Source Subsystem (Current)

This subsystem programs the output current of the ac source.

Subsystem Syntax

| | | |
|------------------|--|---|
| [SOURce:] | | |
| CURRent | | |
| [:LEVel] | | |
| [:IMMediate] | | |
| [:AMPLitude] <n> | | Sets the rms current limit |
| :PEAK | | |
| [:IMMediate] <n> | | Sets the peak current limit |
| :MODE <mode> | | Sets peak current limit mode (FIX STEP PULS LIST) |
| :TRIGgered <n> | | Sets the transient level for peak current limit |
| :PROTection | | |
| :STATe <bool> | | Enable/Disable rms current limit protection |

CURRENT

Phase Selectable

This command sets the rms current limit of the specified output phase. If the output current exceeds this limit, the output voltage amplitude is reduced until the rms current is with the limit. The CL bit of the Questionable Status register indicates that the current limit control loop is active. If the current protection state is programmed on, the output latches into a disabled state when current limiting occurs.

NOTE: On Agilent models 6814B, 6834B and 6843A, the CURRent command is coupled with the VOLTage:RANGe. This means that the maximum current limit that can be programmed at a given time depends on the voltage range setting in which the unit is presently operating. Refer to Chapter 4 under "Coupled Commands" for more information.

| | |
|----------------------------|--|
| Command Syntax | [SOURce:]CURRent[:LEVel][:IMMediate][:AMPLitude] <NRf+> |
| Parameters | refer to Specifications Table in User's Guide |
| Unit | A (rms amperes) |
| *RST Value | MAXimum (Agilent 6811B/6812B/6813B) 1 (Agilent 6814B/6834B/6843A) |
| Examples | CURR 5 CURR:LEV .5 |
| Query Syntax | [SOURce:]CURRent[:LEVel][:IMMediate][:AMPLitude]? |
| Returned Parameters | <NR3> |
| Related Commands | CURR:PROT:STAT VOLT:RANG |

CURRent:PEAK**Agilent 6811B, 6812B, 6813B, Only**

This command sets the output limit of the absolute value of peak instantaneous current.

| | |
|----------------------------|--|
| Command Syntax | [SOURce:]CURRent:PEAK[:IMMEDIATE] <NRf+> |
| Parameters | refer to Specifications Table in User's Guide |
| Unit | A (peak amperes) |
| *RST Value | 13 (Agilent 6811B/6812B) 26 (Agilent 6813B) |
| Examples | CURR:PEAK:IMM 15 |
| Query Syntax | [SOURce:]CURRent:PEAK[:IMMEDIATE]? |
| Returned Parameters | <NR3> |
| Related Commands | CURR:PEAK:MODE CURR:PEAK:TRIG |

CURRent:PEAK:MODE**Agilent 6811B, 6812B, 6813B, Only**

This command determines how the peak current limit is controlled during a triggered output transient. The choices are:

| | |
|--------------|---|
| FIXed | The peak current limit is unaffected by a triggered output transient. |
| STEP | The peak current limit is programmed to the value set by CURRent:PEAK:TRIGgered when a triggered transient occurs. |
| PULSe | The peak current limit is changed to the value set by CURRent:PEAK:TRIGgered for a duration determined by the pulse commands. |
| LIST | The peak current limit is controlled by the peak current list when a triggered transient occurs. |

| | |
|----------------------------|-----------------------------------|
| Command Syntax | [SOURce:]CURRent:PEAK:MODE <mode> |
| Parameters | FIXed STEP PULSe LIST |
| *RST Value | FIXed |
| Examples | CURR:PEAK:MODE FIX |
| Query Syntax | [SOURce:]CURRent:PEAK:MODE? |
| Returned Parameters | <CRD> |
| Related Commands | CURR:PEAK CURR:PEAK:TRIG |

CURRent:PEAK:TRIGgered**Agilent 6811B, 6812B, 6813B, Only**

This command sets the output limit of the absolute value of peak instantaneous current when a step or pulse transient is triggered.

| | |
|----------------------------|--|
| Command Syntax | [SOURce:]CURRent:PEAK:TRIGgered <NRf+> |
| Parameters | refer to Specifications Table in User's Guide |
| Unit | A (peak amperes) |
| *RST Value | 13 (Agilent 6811B/6812B) 26 (Agilent 6813B) |
| Examples | CURR:PEAK:TRIG 15 |
| Query Syntax | [SOURce:]CURRent:PEAK:TRIG? |
| Returned Parameters | <NR3> |
| Related Commands | CURR:PEAK CURR:PEAK:MODE |

CURRent:PROTection:STATe

This command enables or disables the overcurrent (OC) protection function. If the overcurrent protection function is enabled and the exceeds the programmed level, then the output is disabled and the Questionable Condition status register OC bit is set (see Chapter 4 under "Programming the Status Registers"). An overcurrent condition can be cleared with OUTPut:PROTection:CLEar after the cause of the condition is removed.

NOTE: Use OUTP:PROT:DEL to prevent momentary current limit conditions caused by programmed output changes from tripping the overcurrent protection.

| | |
|----------------------------|---|
| Command Syntax | [SOURce:]CURRent:PROTection:STATe<bool> |
| Parameters | 0 1 OFF ON |
| *RST Value | OFF |
| Examples | CURR:PROT:STAT 0CURR:PROT:STAT OFF |
| Query Syntax | [SOURce:]CURRent:PROTection:STATe? |
| Returned Parameters | 0 1 |
| Related Commands | OUTP:PROT:CLE OUTP:PROT:DEL |

Source Subsystem (Frequency)

This subsystem programs the output frequency of the ac source.

Subsystem Syntax

| | | |
|-----------------------------|--|---|
| [SOURce:] | | |
| FREQuency | | |
| [:CW :IMMEDIATE] <n> | | Sets the frequency |
| :MODE <mode> | | Sets frequency mode (FIX STEP PULS LIST) |
| :SLEW | | |
| [:IMMEDIATE] <n> INFINity | | Sets the frequency slew rate |
| :MODE <mode> | | Sets frequency slew mode (FIX STEP PULS LIST) |
| :TRIGgered <n> INFINity | | Sets the triggered frequency slew rate |
| :TRIGgered <n> | | Sets the triggered frequency |

FREQuency

This command sets the frequency of the output waveform.

| | |
|----------------------------|---|
| Command Syntax | [SOURce:]FREQuency[:CW :IMMEDIATE] <NRf+> |
| Parameters | refer to Specifications Table in User's Guide |
| Unit | HZ (hertz) |
| *RST Value | 60 |
| Examples | FREQ 50 |
| Query Syntax | [SOURce:]FREQuency[:CW :IMMEDIATE]? |
| Returned Parameters | <NR3> |
| Related Commands | FREQ:MODE FREQ:SLEW |

FREQuency:MODE

This command determines how the output frequency is controlled during a triggered output transient. The choices are:

| | |
|--------------|--|
| FIXed | The output frequency is unaffected by a triggered output transient. |
| STEP | The output frequency is programmed to the value set by FREQuency:TRIGgered when a triggered transient occurs. |
| PULSe | The output frequency is changed to the value set by FREQuency:TRIGgered for a duration determined by the pulse commands. |
| LIST | The output frequency is controlled by the frequency list when a triggered transient occurs. |

| | |
|----------------------------|--------------------------------|
| Command Syntax | [SOURce:]FREQuency:MODE <mode> |
| Parameters | FIXed STEP PULSe LIST |
| *RST Value | FIXed |
| Examples | FREQ:MODE FIX |
| Query Syntax | [SOURce:]FREQuency:MODE? |
| Returned Parameters | <CRD> |
| Related Commands | FREQ FREQ:TRIG |

FREQUENCY:SLEW

This command sets the rate at which frequency changes for all programmed changes in output frequency. Instantaneous frequency changes can be obtained by sending MAXimum or INFinity. The SCPI keyword INFinity is represented by the number 9.9E37.

| | |
|----------------------------|---|
| Command Syntax | [SOURce:]FREQUENCY:SLEW[:IMMEDIATE] <NRf+> INFinity |
| Parameters | 0 to 9.9E37 MAXimum MINimum INFinity |
| *RST Value | MAXimum |
| Examples | FREQ:SLEW:IMM 75 FREQ:SLEW MAX |
| Query Syntax | [SOURce:]FREQUENCY:SLEW[:IMMEDIATE]? |
| Returned Parameters | <NR3> |
| Related Commands | FREQ FREQ:SLEW:MODE |

FREQUENCY:SLEW:MODE

This command determines how the frequency slew rate is controlled during a triggered output transient. The choices are:

| | |
|--------------|--|
| FIXed | The frequency slew rate is unaffected by a triggered output transient. |
| STEP | The frequency slew rate is programmed to the value set by FREQUENCY:SLEW:TRIGGERed when a triggered transient occurs. |
| PULSE | The frequency slew rate is changed to the value set by FREQUENCY:SLEW:TRIGGERed for a duration determined by the pulse commands. |
| LIST | The frequency slew rate is controlled by the frequency slew list when a triggered transient occurs. |

| | |
|----------------------------|-------------------------------------|
| Command Syntax | [SOURce:]FREQUENCY:SLEW:MODE <mode> |
| Parameters | FIXed STEP PULSE LIST |
| *RST Value | FIXed |
| Examples | FREQ:SLEW:MODE FIX |
| Query Syntax | [SOURce:]FREQUENCY:SLEW:MODE? |
| Returned Parameters | <CRD> |
| Related Commands | FREQ FREQ:SLEW:TRIG |

FREQUENCY:SLEW:TRIGGERed

This command sets the rate at which frequency changes during a triggered output transient. Instantaneous frequency changes can be obtained by sending MAXimum or INFinity. The SCPI keyword INFinity is represented by the number 9.9E37.

| | |
|----------------------------|---|
| Command Syntax | [SOURce:]FREQUENCY:SLEW:TRIGGERed <NRf+> INFinity |
| Parameters | 0 to 9.9E37 MAXimum MINimum INFinity |
| *RST Value | MAXimum |
| Examples | FREQ:SLEW:TRIG 75 FREQ:SLEW:TRIG MAX |
| Query Syntax | [SOURce:]FREQUENCY:SLEW:TRIGGERed? |
| Returned Parameters | <NR3> |
| Related Commands | FREQ FREQ:SLEW:MODE |

FREQuency:TRIGgered

This command programs the frequency that the output will be set to during a triggered step or pulse transient.

| | |
|----------------------------|---|
| Command Syntax | [SOURce:]FREQuency:TRIGgered <NRf+> |
| Parameters | refer to Specifications Table in User's Guide |
| Unit | HZ (hertz) |
| *RST Value | 60 |
| Examples | FREQ:TRIG 50 |
| Query Syntax | [SOURce:]FREQuency:TRIGgered? |
| Returned Parameters | <NR3> |
| Related Commands | FREQ FREQ:MODE |

Source Subsystem (Function)

This subsystem programs the output function of the ac source.

Subsystem Syntax

```
[SOURce:]
  FUNCtion
    [:SHAPe]
      [:IMMediate] <shape> Sets the periodic waveform shape (SIN | SQU | CSIN | <user>)
      :MODE <mode>       Sets the waveform shape mode (FIX | STEP | PULS | LIST)
      :TRIGgered <shape> Sets the triggered transient shape (SIN | SQU | CSIN | <table>)
      :CSINusoid <n> [THD] Sets the % of peak at which the sinewave clips (or % THD)
```

FUNcTION

This command selects the shape of the output voltage waveform as follows:

SINusoid A sinewave is output
SQUare A squarewave is output
CSINusoid The output is a clipped sinewave. Both positive and negative peak amplitudes are clipped at a value determined by the FUNCtion:CSINusoid command.
<table> The output shape is described by one of the user-defined waveform tables.

The maximum peak voltage that the ac source can output is 425 V peak. This includes any combination of voltage, voltage offset, and function shape values. Therefore, the maximum value that can be programmed depends on the peak-to-rms ratio of the selected waveform. For a sinewave, the maximum voltage that can be programmed is 300 V rms.

NOTE: For Agilent models 6814B, 6834B and 6843A, you cannot program a voltage that produces a higher volt-second on the output than a 300 Vrms sinewave.

| | |
|----------------------------|---|
| Command Syntax | [SOURce:]FUNCtion[:SHAPe][:IMMediate] <shape> |
| Parameters | SINusoid SQUare CSINusoid <table> |
| *RST Value | SINusoid |
| Examples | FUNC SIN FUNC TABLE1 |
| Query Syntax | [SOURce:]FUNCtion[:SHAPe][:IMMediate]? |
| Returned Parameters | <CRD> |
| Related Commands | FUNC MODE FUNC TRIG VOLT |

FUNCTION:MODE

This command determines how the waveform shape is controlled during a triggered output transient. The choices are:

| | |
|--------------|---|
| FIXed | The waveform shape is unaffected by a triggered output transient. |
| STEP | The waveform shape is programmed to the value set by FUNCTION:TRIGgered when a triggered transient occurs. |
| PULSe | The waveform shape is changed to the value set by FUNCTION:TRIGgered for a duration determined by the pulse commands. |
| LIST | The waveform shape is controlled by the waveform shape list when a triggered transient occurs. |

| | |
|----------------------------|---------------------------------------|
| Command Syntax | [SOURce:]FUNCtion[:SHAPe]:MODE <mode> |
| Parameters | FIXed STEP PULSe LIST |
| *RST Value | FIXed |
| Examples | FUNC:MODE FIX |
| Query Syntax | [SOURce:]FUNCtion[:SHAPe]:MODE? |
| Returned Parameters | <CRD> |
| Related Commands | FUNC FUNC:TRIG |

FUNCTION:TRIGgered

This command selects the shape of the output voltage waveform when a triggered step or pulse transient occurs. The parameters are:

| | |
|----------------------|---|
| SINusoid | A sinewave is output |
| SQUare | A squarewave is output |
| CSINusoid | The output is a clipped sinewave. Both positive and negative peak amplitudes are clipped at a value determined by the FUNCTION:CSINusoid command. |
| <table> | The output shape is described by one of the user-defined waveform tables. |

The maximum peak voltage that the ac source can output is 425 V peak. This includes any combination of voltage, voltage offset, and function shape values. Therefore, the maximum value that can be programmed depends on the peak-to-rms ratio of the selected waveform. For a sinewave, the maximum voltage that can be programmed is 300 V rms.

NOTE: For Agilent models 6814B, 6834B and 6843A, you cannot program a voltage that produces a higher volt-second on the output than a 300 Vrms sinewave.

| | |
|----------------------------|---|
| Command Syntax | [SOURce:]FUNCtion[:SHAPe]:TRIGgered <shape> |
| Parameters | SINusoid SQUare CSINusoid <table> |
| *RST Value | SINusoid |
| Examples | FUNC:TRIG SIN FUNC:TRIG TABLE1 |
| Query Syntax | [SOURce:]FUNCtion[:SHAPe]:TRIGgered? |
| Returned Parameters | <CRD> |
| Related Commands | FUNC FUNC MODE VOLT |

FUNCTION:CSINusoid

This command sets the clipping level when a clipped sine output waveform is selected. The clipping characteristics can be specified in two ways:

- ◆ The clipping level is expressed as a percentage of the peak amplitude at which clipping occurs. The range is 0 to 100 percent. These are the default units when the optional THD suffix is not sent.
- ◆ The clipping level is expressed at the percentage of total harmonic distortion in the output voltage. The range is 0 to 43 percent. The optional THD suffix is sent to program in these units.

| | |
|----------------------------|---|
| Command Syntax | [SOURce:]FUNCTio[n][:SHAPE]:CSINusoid <Nrf> [THD] |
| Parameters | 0 to 100% 0 to 43% THD |
| *RST Value | 100% 0% THD (no clipping) |
| Examples | FUNC:CSIN 80 FUNC:CSIN 10 THD |
| Query Syntax | [SOURce:]FUNCTio[n][:SHAPE]:CSINusoid? |
| Returned Parameters | <NR3> |
| Related Commands | FUNC FUNC MODE |

Source Subsystem (List)

This subsystem controls the generation of complex sequences of output changes with rapid, precise timing and synchronized with internal or external signals. Each subsystem command for which lists can be generated has an associated list of values that specify the output at each list step. LIST:COUNT determines how many times the sequences through a list before that list is completed. LIST:DWELL specifies the time interval that each value (point) of a list is to remain in effect. LIST:STEP determines if a trigger causes a list to advance only to its next point or to sequence through all of its points.

All active subsystems that have their modes set to LIST must have the same number of points (up to 100), or an error is generated when the first list point is triggered. The only exception is a list consisting of only one point. Such a list is treated as if it had the same number of points as the other lists, with all of the implied points having the same value as the one specified point. All list point data is stored in nonvolatile memory.

NOTE: MODE commands such as VOLTage:MODE LIST are used to activate lists for specific functions. However, the LIST:DWELL command is active whenever any function is set to list mode. Therefore, LIST:DWELL must always be set either to one point, or to the same number of points as the active list.

Subsystem Syntax

[SOURce:]

LIST

| | |
|---------------------------|---|
| :COUNT <n> INFIinity | Sets the list repeat count |
| :CURRent <n> {,<n>} | Sets the peak current limit list |
| :POINTs? | Returns the number of peak current limit list points |
| :DWELL <n> {,<n>} | Sets the list of dwell times |
| :POINTs? | Returns the number of dwell list points |
| :FREQuency | |
| [:LEVel] <n> {,<n>} | Sets the frequency list |
| :POINTs? | Returns the number of frequency points |
| :SLEW <n> {,<n>} | Sets the frequency slew list |
| :POINTs? | Returns the number of frequency slew points |
| :PHASe <n> {,<n>} | Sets the phase list |
| :POINTs? | Returns the number of phase list points |
| :SHAPE <shape> {,<shape>} | Sets the waveform shape list |
| :POINTs? | Returns the number of shape list points |
| :STEP <step> | Specifies how the list responds to triggers (ONCE AUTO) |
| :TTLTrg <bool> {,<bool>} | Defines the output marker list |
| :POINTs? | Returns the number of output marker list points |
| :VOLTage | |
| [:LEVel] <n> {,<n>} | Sets the voltage list |
| :POINTs? | Returns the number of voltage level points |
| :SLEW <n> {,<n>} | Sets the voltage slew list |
| :POINTs? | Returns the number of voltage slew points |
| :OFFSet <n> {,<n>} | Sets the voltage offset list |
| :POINTs? | Returns the number of voltage offset points |
| :SLEW <n> {,<n>} | Sets the offset voltage slew list |
| :POINTs? | Returns the number of offset voltage slew points |

LIST:COUNT

This command sets the number of times that the list is executed before it is completed. The command accepts parameters in the range 1 through 9.9E37, but any number greater than 2E9 is interpreted as infinity. Use INFINITY to execute a list indefinitely.

| | |
|----------------------------|--|
| Command Syntax | [SOURce:]LIST:COUNT <NRf+> INFINITY |
| Parameters | 1 to 9.9E37 MINimum MAXimum INFINITY |
| *RST Value | 1 |
| Examples | LIST:COUN 3 LIST:COUN INF |
| Query Syntax | [SOURce:]LIST:COUNT? |
| Returned Parameters | <NR3> |
| Related Commands | LIST:CURR LIST:FREQ LIST:TTLT LIST:VOLT |

LIST:CURRENT**Agilent 6811B, 6812B, 6813B, Only**

This command sets the sequence of peak output current list points. The current points are given in the command parameters, which are separated by commas. The order in which the points are entered determines the sequence in which they are output when a list is triggered. Changing list data while a subsystem is in list mode generates an implied ABORT.

| | |
|----------------------------|--|
| Command Syntax | [SOURce:]LIST:CURRENT <NRf+> {,<NRf+>} |
| Parameters | refer to Specifications Table in User's Guide |
| Unit | A (peak current) |
| Examples | LIST:CURR 2.5,3.0,3.5 LIST:CURR MAX,3.5,2.5,MIN |
| Query Syntax | [SOURce:]LIST:CURRENT? |
| Returned Parameters | <NR3> {,<NR3>} |
| Related Commands | LIST:CURR:POIN? LIST:COUN LIST:DWEL LIST:STEP |

LIST:CURRENT:POINTS?**Agilent 6811B, 6812B, 6813B, Only**

This query returns the number of points specified in LIST:CURRENT. Note that it returns only the total number of points, not the point values.

| | |
|----------------------------|-------------------------------|
| Query Syntax | [SOURce:]LIST:CURRENT:POINTS? |
| Returned Parameters | <NR1> |
| Examples | LIST:CURR:POIN? |
| Related Commands | LIST:CURR |

LIST:DWELI

This command sets the sequence of list dwell times. Each value represents the time in seconds that the output will remain at the particular list step point before completing the step. At the end of the dwell time, the output of the depends upon the following conditions:

- ◆ If LIST:STEP AUTO has been programmed, the output automatically changes to the next point in the list.
- ◆ If LIST:STEP ONCE has been programmed, the output remains at the present level until a trigger sequences the next point in the list.

The order in which the points are entered determines the sequence in which they are output when a list is triggered. Changing list data while a subsystem is in list mode generates an implied ABORT.

| | |
|----------------------------|--|
| Command Syntax | [SOURce:]LIST:DWELI <NRf+> {,<NRf+>} |
| Parameters | 3-phase models: 0 to 1.07533E6 MINimum MAXimum 1-phase models: 0 to 4.30133E5 MINimum MAXimum |
| Unit | S (seconds) |
| Examples | LIST:DWEL 2.5,1.5,.5 |
| Query Syntax | [SOURce:]LIST:DWELI? |
| Returned Parameters | <NR3> {,<NR3>} |
| Related Commands | LIST:CURR LIST:FREQ LIST:TTLT LIST:VOLT |

LIST:DWELI:POINTs?

This query returns the number of points specified in LIST:DWELI. Note that it returns only the total number of points, not the point values.

| | |
|----------------------------|-----------------------------|
| Query Syntax | [SOURce:]LIST:DWELI:POINTs? |
| Returned Parameters | <NR1> |
| Examples | LIST:DWEL:POIN? |
| Related Commands | LIST:DWEL |

LIST:FREQuency

This command sets the sequence of frequency list points. The frequency points are given in the command parameters, which are separated by commas. The order in which the points are entered determines the sequence in which they are output when a list is triggered. Changing list data while a subsystem is in list mode generates an implied ABORT.

| | |
|----------------------------|--|
| Command Syntax | [SOURce:]LIST:FREQuency[:LEVel] <NRf+> {,<NRf+>} |
| Parameters | refer to Specifications Table in User's Guide |
| Unit | HZ (hertz) |
| Examples | LIST:FREQ 55,60,65 |
| Query Syntax | [SOURce:]LIST:FREQuency[:LEVel]? |
| Returned Parameters | <NR3> {,<NR3>} |
| Related Commands | LIST:FREQ:POIN? LIST:COUN LIST:DWEL LIST:STEP |

LIST:FREQUENCY:POINTS?

This query returns the number of points specified in LIST:FREQUENCY. Note that it returns only the total number of points, not the point values.

| | |
|----------------------------|---|
| Query Syntax | [SOURCE:]LIST:FREQUENCY[:LEVEL]:POINTS? |
| Returned Parameters | <NR1> |
| Examples | LIST:FREQ:POIN? |
| Related Commands | LIST:FREQ |

LIST:FREQUENCY:SLEW

This command specifies the output frequency slew list points. The slew points are given in the command parameters, which are separated by commas. The order in which the points are entered determines the sequence in which they are output when a list is triggered. Changing list data while a subsystem is in list mode generates an implied ABORT.

| | |
|----------------------------|---|
| Command Syntax | [SOURCE:]LIST:FREQUENCY:SLEW <NRf+> INF {,<NRf+> INF} |
| Parameters | 0 to 9.9E37 MAXimum MINimum INFINITY |
| Unit | HZ (hertz per second) |
| Examples | LIST:FREQ:SLEW 10,20,1E2 |
| Query Syntax | [SOURCE:]LIST:FREQUENCY:SLEW? |
| Returned Parameters | <NR3> {,<NR3>} |
| Related Commands | LIST:FREQ:SLEW:POIN? LIST:COUN LIST:DWEL LIST:STEP |

LIST:FREQUENCY:SLEW:POINTS?

This query returns the number of points specified in LIST:FREQUENCY:SLEW. Note that it returns only the total number of points, not the point values.

| | |
|----------------------------|--------------------------------------|
| Query Syntax | [SOURCE:]LIST:FREQUENCY:SLEW:POINTS? |
| Returned Parameters | <NR1> |
| Examples | LIST:FREQ:SLEW:POIN? |
| Related Commands | LIST:FREQ:SLEW |

LIST:PHASe**Phase Selectable**

This phase selectable command sets the sequence of phase list points. The phase points are given in the command parameters, which are separated by commas. The order in which the points are entered determines the sequence in which they are output when a list is triggered. Changing list data while a subsystem is in list mode generates an implied ABORT.

| | |
|----------------------------|---|
| Command Syntax | [SOURCE:]LIST:PHASe <NRf+> {,<NRf+>} |
| Parameters | -360 through +360 (degrees) MAXimum MINimum |
| Examples | LIST:PHAS 90,120,150 |
| Query Syntax | [SOURCE:]LIST:PHAS? |
| Returned Parameters | <NR3> {,<NR3>} |
| Related Commands | LIST:FREQ:POIN? LIST:COUN LIST:DWEL LIST:STEP |

LIST:PHASe:POINTs?

This query returns the number of points specified in LIST:PHASe. Note that it returns only the total number of points, not the point values.

| | |
|----------------------------|-----------------------------|
| Query Syntax | [SOURce:]LIST:PHASe:POINTs? |
| Returned Parameters | <NR1> |
| Examples | LIST:PHAS:POIN? |
| Related Commands | LIST:PHAS |

LIST:SHAPE

This command sets the sequence of the waveform shape entries. The order in which the shapes are given determines the sequence in which the list of shape will be output when a list is triggered. Changing list data while a subsystem is in list mode generates an implied ABORT. The following shapes may be specified:

| | |
|----------------------|---|
| SINusoid | A sinewave is output |
| SQUare | A squarewave is output |
| CSINusoid | The output is a clipped sinewave. Both positive and negative peak amplitudes are clipped at a value determined by the FUNCtion:CSINusoid command. |
| <table> | The output shape is described by one of the user-defined waveform tables. |

The maximum peak voltage that the ac source can output is 425 V peak. This includes any combination of voltage, voltage offset, and function shape values. Therefore, the maximum value that can be programmed depends on the peak-to-rms ratio of the selected waveform. For a sinewave, the maximum voltage that can be programmed is 300 V rms.

NOTE: For Agilent models 6814B, 6834B and 6843A, you cannot program a voltage that produces a higher volt-second on the output than a 300 Vrms sinewave.

| | |
|----------------------------|---|
| Command Syntax | [SOURce:]LIST[:SHAPE] <shape> {,<shape>} |
| Parameters | SINusoid SQUare CSINusoid <table> |
| Examples | LIST:SHAP |
| Query Syntax | [SOURce:]LIST:SHAPE? |
| Returned Parameters | <CRD> {,<CRD>} |
| Related Commands | LIST:SHAP:POIN? LIST:COUN LIST:DWEL LIST:STEP LIST:VOLT LIST:VOLT:OFFS |

LIST:SHAPE:POINTs?

This query returns the number of points specified in LIST:SHAP. Note that it returns only the total number of points, not the point values.

| | |
|----------------------------|-----------------------------|
| Query Syntax | [SOURce:]LIST:SHAPE:POINTs? |
| Returned Parameters | <NR1> |
| Examples | LIST:SHAP:POIN? |
| Related Commands | LIST:SHAP |

LIST:STEP

This command specifies how the list sequencing responds to triggers. The following parameters may be specified:

- ONCE** causes the list to advance only one point after each trigger. Triggers that arrive during a dwell delay are ignored
- AUTO** causes the entire list to be output sequentially after the starting trigger, paced by its dwell delays. As each dwell delay elapses, the next point is immediately output

Command Syntax [SOURce:]LIST:STEP <step>
Parameters ONCE | AUTO
***RST Value** AUTO
Examples LIST:STEP ONCE
Query Syntax [SOURce:]LIST:STEP?
Returned Parameters <CRD>
Related Commands LIST:COUN LIST:DWEL

LIST:TTLTrg

This command sets the sequence of Trigger Out list points. Each point which is set **ON** will cause a pulse to be output at Trigger Out when that list step is reached. Those entries which are set **OFF** will not generate Trigger Out pulses.

The order in which the list points are given determines the sequence in which Trigger Out pulses will be output when a list is triggered. Changing list data while a subsystem is in list mode generates an implied ABORT.

Command Syntax [SOURce:]LIST:TTLTrg <bool> {,<bool>}
Parameters 0 | 1 | OFF | ON
Examples LIST:TTLT 1,0,1 LIST:TTLT ON,OFF,ON
Query Syntax [SOURce:]LIST:TTLTrg?
Returned Parameters 0 | 1 {,0 | 1}
Related Commands LIST:TTLT:POIN? LIST:COUN LIST:DWEL LIST:STEP
 OUTP:TTLT OUTP:TTLT:SOUR

LIST:TTLTrg:POINTs?

This query returns the number of points specified in LIST:TTLT. Note that it returns only the total number of points, not the point values.

Query Syntax [SOURce:]LIST:TTLTrg:POINTs?
Returned Parameters <NR1>
Examples LIST:TTLT:POIN?
Related Commands LIST:TTLT

LIST:VOLTage

Phase Selectable

This command specifies the output voltage points in a list. The voltage points are given in the command parameters, which are separated by commas. The order in which the points are entered determines the sequence in which they are output when a list is triggered. Changing list data while a subsystem is in list mode generates an implied ABORT.

The maximum peak voltage that the ac source can output is 425 V peak. This includes any combination of voltage, voltage offset, and function shape values. Therefore, the maximum value that can be programmed depends on the peak-to-rms ratio of the selected waveform. For a sine wave, the maximum voltage that can be programmed is 300 V rms.

NOTE: For Agilent models 6814B, 6834B and 6843A, you cannot program a voltage that produces a higher volt-second on the output than a 300 Vrms sine wave.

| | |
|----------------------------|--|
| Command Syntax | [SOURce:]LIST:VOLTage[:LEVel] <NRf+> {,<NRf+>} |
| Parameters | For sine waves: 0 to 300 MAXimum MINimum |
| Unit | V (rms voltage) |
| Examples | LIST:VOLT 115,126,120 LIST:VOLT MAX,120,MIN |
| Query Syntax | [SOURce:]LIST:VOLTage[:LEVel]? |
| Returned Parameters | <NR3> {,<NR3>} |
| Related Commands | LIST:VOLT:POIN? LIST:COUN LIST:DWEL LIST:STEP LIST:VOLT:SLEW LIST:VOLT:OFFS |

LIST:VOLTage:POINTs?

This query returns the number of points specified in LIST:VOLTage. Note that it returns only the total number of points, not the point values.

| | |
|----------------------------|---------------------------------------|
| Query Syntax | [SOURce:]LIST:VOLTage[:LEVel]:POINTs? |
| Returned Parameters | <NR1> |
| Examples | LIST:VOLT:POIN? |
| Related Commands | LIST:VOLT |

LIST:VOLTage:SLEW

Phase Selectable

This command specifies the output voltage slew list points. The slew points are given in the command parameters, which are separated by commas. The order in which the points are entered determines the sequence in which they are output when a list is triggered. Changing list data while a subsystem is in list mode generates an implied ABORT.

| | |
|----------------------------|---|
| Command Syntax | [SOURce:]LIST:VOLTage:SLEW <NRf+> INF {,<NRf+> INF} |
| Parameters | 0 to 9.9E37 MAXimum MINimum INFINITY |
| Unit | V (volts per second) |
| Examples | LIST:VOLT:SLEW 10,20,1E2 |
| Query Syntax | [SOURce:]LIST:VOLTage:SLEW? |
| Returned Parameters | <NR3> {,<NR3>} |
| Related Commands | LIST:VOLT:SLEW:POIN? LIST:COUN LIST:DWEL LIST:STEP |

LIST:VOLTage:SLEW:POINTs?

This query returns the number of points specified in LIST:VOLTage:SLEW. Note that it returns only the total number of points, not the point values.

| | |
|----------------------------|------------------------------------|
| Query Syntax | [SOURce:]LIST:VOLTage:SLEW:POINTs? |
| Returned Parameters | <NR1> |
| Examples | LIST:VOLT:SLEW:POIN? |
| Related Commands | LIST:VOLT:SLEW |

LIST:VOLTageOFFSet**Agilent 6811B, 6812B, 6813B, Only**

This command specifies the dc offset points in a list. The offset points are given in the command parameters, which are separated by commas. The order in which the points are entered determines the sequence in which they are output when a list is triggered. Changing list data while a subsystem is in list mode generates an implied ABORT.

The maximum peak voltage that the ac source can output is 425 V peak. This includes any combination of voltage, voltage offset, and function shape values. Therefore, the maximum value that can be programmed depends on the peak-to-rms ratio of the selected waveform. For a sinewave, the maximum voltage that can be programmed is 300 V rms.

| | |
|----------------------------|--|
| Command Syntax | [SOURce:]LIST:VOLTage:OFFSet <NRf+> {,<NRf+>} |
| Parameters | -425 to +425 MAXimum MINimum |
| Unit | V (dc voltage) |
| Examples | LIST:VOLT:OFFS 50,75,100 |
| Query Syntax | [SOURce:]LIST:VOLTage:OFFSet? |
| Returned Parameters | <NR3> {,<NR3>} |
| Related Commands | LIST:VOLT:OFFS:POIN? LIST:COUN LIST:DWEL LIST:STEP LIST:VOLT:SLEW |

LIST:VOLTage:OFFSet:POINTs?**Agilent 6811B, 6812B, 6813B, Only**

This query returns the number of points specified in LIST:VOLTage:OFFSet. Note that it returns only the total number of points, not the point values.

| | |
|----------------------------|--------------------------------------|
| Query Syntax | [SOURce:]LIST:VOLTage:OFFSet:POINTs? |
| Returned Parameters | <NR1> |
| Examples | LIST:VOLT:OFFS:POIN? |
| Related Commands | LIST:VOLT:OFFS |

LIST:VOLTage:OFFSet:SLEW**Agilent 6811B, 6812B, 6813B, Only**

This command specifies the dc offset slew list points. The slew points are given in the command parameters, which are separated by commas. The order in which the points are entered determines the sequence in which they are output when a list is triggered. Changing list data while a subsystem is in list mode generates an implied ABORT.

| | |
|----------------------------|--|
| Command Syntax | [SOURce:]LIST:VOLTage:OFFSet:SLEW <NRf+> INF {,<NRf+> INF} |
| Parameters | 0 to 9.9E37 MAXimum MINimum INFinity |
| Unit | V (volts per second) |
| Examples | LIST:VOLT:OFFS:SLEW 10,20,1E2 |
| Query Syntax | [SOURce:]LIST:VOLTage:OFFSet:SLEW? |
| Returned Parameters | <NR3> {,<NR3>} |
| Related Commands | LIST:VOLT:SLEW:POIN? LIST:COUN LIST:DWEL LIST:STEP |

LIST:VOLTage:OFFSet:SLEW:POINTs?**Agilent 6811B, 6812B, 6813B, Only**

This query returns the number of points specified in LIST:VOLTage:OFFSet:SLEW. Note that it returns only the total number of points, not the point values.

| | |
|----------------------------|---|
| Query Syntax | [SOURce:]LIST:VOLTage:OFFSet:SLEW:POINTs? |
| Returned Parameters | <NR1> |
| Examples | LIST:VOLT:OFFSet:SLEW:POIN? |
| Related Commands | LIST:VOLT:OFFS |

Source Subsystem (Phase)

This subsystem programs the output phases of the . When phase commands are used to program single-phase units, the only discernible effect in using the phase commands is to cause an instantaneous shift in the output waveform phase.

Subsystem Syntax

```
[SOURce:]
  PHASe
    [:IMMEDIATE] <n>      Sets the output phase
    :MODE <mode>         Sets the phase mode (FIX | STEP | PULS | LIST)
    :TRIGgered <n>       Sets the triggered phase (step or pulse mode only)
```

PHASe

Phase Selectable

This command sets the phase of the output voltage waveform relative to an internal reference. The phase angle is programmed in degrees. Positive phase angles are used to program the leading phase, and negative phase angles are used to program the lagging phase.

The PHASe command is not influenced by INSTRUMENT:COUPLE ALL. It applies only to the current output phase selected by INSTRUMENT:NSELECT.

| | |
|----------------------------|---|
| Command Syntax | [SOURce:]PHASe[:ADJust]:IMMEDIATE] <NRf+> |
| Parameters | –360 through +360 (degrees) MAXimum MINimum |
| *RST Value | phase 1 = 0, phase 2 = 240, phase 3 = 120 |
| Examples | PHAS 90 PHAS MAX |
| Query Syntax | [SOURce:]PHASe[:ADJust]:IMMEDIATE]? |
| Returned Parameters | <NR3> |
| Related Commands | PHAS:MODE PHASE:TRIG |

PHASe:MODE**Phase Selectable**

This command determines how the output phase is controlled during a triggered output transient. The choices are:

| | |
|--------------|--|
| FIXed | The output phase is unaffected by a triggered output transient. |
| STEP | The output phase is programmed to the value set by PHASe:TRIGgered when a triggered transient occurs. |
| PULSe | The output phase is changed to the value set by PHASe:TRIGgered for a duration determined by the pulse commands. |
| LIST | The output phase is controlled by the phase list when a triggered transient occurs. |

| | |
|----------------------------|---|
| Command Syntax | [SOURce:]PHASe:MODE <mode> |
| Parameters | FIXed STEP PULSe LIST |
| *RST Value | FIXed |
| Examples | PHAS:MODE LIST PHAS:MODE FIX |
| Query Syntax | [SOURce:]PHASe:MODE? |
| Returned Parameters | <CRD> |
| Related Commands | PHAS PHAS:TRIG |

PHASe:TRIGgered**Phase Selectable**

This command sets the output phase when a triggered step or pulse transient occurs. The phase of the output voltage waveform is expressed relative to an internal reference. The phase angle is programmed in degrees. Positive phase angles are used to program the leading phase, and negative phase angles are used to program the lagging phase.

The PHASe command is not influenced by INSTRument:COUPlE ALL. It applies only to the current output phase selected by INSTRument:NSElect.

| | |
|----------------------------|--|
| Command Syntax | [SOURce:]PHASe:TRIGgered <NRf+> |
| Parameters | -360 through +360 (degrees) MAXimum MINimum |
| *RST Value | triggered phase 1 = 0, triggered phase 2 = 240, triggered phase 3 = 120 |
| Examples | PHAS:TRIG 90 PHAS:TRIG MAX |
| Query Syntax | [SOURce:]PHASe:TRIGgered? |
| Returned Parameters | <NR3> |
| Related Commands | PHAS:MODE PHASE |

Source Subsystem (Pulse)

This subsystem controls the generation of output pulses. The PULSe:DCYClE, PULSe:HOLD, PULSe:PERiod, and PULSe:WIDTh commands are coupled, which means that the values programmed by any one of these commands can be affected by the settings of the others. Refer to the tables under PULSe:HOLD for an explanation of how these commands affect each other.

Subsystem Syntax

```
[SOURce:]
  PULSe
    :COUNt <n> | INFinity  Selects transient pulse count
    :DCYClE <n>           Selects pulse duty cycle
    :HOLD <parameter>    Selects parameter that is held constant (WIDTh | DCYClE)
    :PERiod <n>          Selects pulse period when the count is greater than 1
    :WIDTh <n>           Selects width of the pulses
```

PULSe:COUNT

This command sets the number of pulses that are output when a triggered output transient occurs. The command accepts parameters in the range 1 through 9.9E37. If INFinity or MAXimum is sent, the output pulse repeats indefinitely.

| | |
|----------------------------|---|
| Command Syntax | [SOURce:]PULSe:COUNT <Nrf+> INFinity |
| Parameters | 1 to 9.9E37 MINimum MAXimum INFinity |
| *RST Value | 1 |
| Examples | PULS:COUN 3 PULS:COUN MIN PULS:COUN INF |
| Query Syntax | [SOURce:]PULSe:COUNT? |
| Returned Parameters | <NR3> |
| Related Commands | PULS:DCYC PULS:HOLD PULS:PER PULS:PER |

PULSe:DCYClE

This command sets the duty cycle of the triggered output pulse. The duty cycle units are specified in percent.

| | |
|----------------------------|---|
| Command Syntax | [SOURce:]PULSe:DCYClE <Nrf+> |
| Parameters | 0 to 100 (percent) MINimum MAXimum |
| *RST Value | 50 |
| Examples | PULS:DCYC 75 PULS:DCYC MAX |
| Query Syntax | [SOURce:]PULSe:DCYClE? |
| Returned Parameters | <NR3> |
| Related Commands | PULS:COUN PULS:HOLD PULS:PER PULS:WIDT |

PULSe:HOLD

This command specifies whether the pulse width or the duty cycle is to be held constant when the pulse period changes. The following tables describe how the duty cycle, period, and width are affected when one, two, or all three parameters are set in a single program message.

Command Syntax [SOURce:]PULSe:HOLD <parameter>
Parameters WIDTh | DCYClE
***RST Value** WIDTh
Examples PULS:HOLD DCYC
Query Syntax [SOURce:]PULSe:HOLD?
Returned Parameters <CRD>
Related Commands PULS:COUN PULS:DCYC PULS:PER PULS:WIDT

PULSe:HOLD = WIDTh

| Parameter Set | | | Action |
|---------------|-------|-------|---|
| DCYClE | PERod | WIDTh | |
| | | Set | Sets WIDTh. If WIDTh < PERiod, recalculates DCYClE; otherwise recalculates the PERiod and DCYClE. |
| | Set | | Sets PERiod. If WIDTh < PERiod, recalculates DCYClE; otherwise recalculates the PERiod and DCYClE. |
| | Set | Set | Sets WIDTh. If WIDTh < PERiod, sets the PERiod and recalculates DCYClE; otherwise recalculates the PERiod and DCYClE. |
| Set | | | Sets DCYClE and recalculates the PERiod. |
| Set | | Set | Sets DCYClE and WIDTh and recalculates the PERiod. |
| Set | Set | | Sets DCYClE and PERiod and recalculates the WIDTh. |
| Set | Set | Set | Sets WIDTh. If WIDTh < PERiod, sets the PERiod and recalculates DCYClE; otherwise recalculates the PERiod and DCYClE. |

PULSe:HOLD = DCYClE

| Parameter Set | | | Action |
|---------------|-------|-------|---|
| DCYClE | PERod | WIDTh | |
| | | Set | Sets WIDTh and recalculates the PERiod. |
| | Set | | Sets PERiod and recalculates the WIDTh. |
| | Set | Set | Sets WIDTh. If WIDTh < PERiod, sets the PERiod and recalculates DCYClE; otherwise recalculates the PERiod and DCYClE. |
| Set | | | Sets DCYClE and recalculates the PERiod. |
| Set | | Set | Sets DCYClE and WIDTh and recalculates the PERiod. |
| Set | Set | | Sets DCYClE and PERiod and recalculates the WIDTh. |
| Set | Set | Set | Sets WIDTh. If WIDTh < PERiod, sets the PERiod and recalculates DCYClE; otherwise recalculates the PERiod and DCYClE. |

PULSe:PERiod

This command sets the period of a triggered output transient. The command parameters are model-dependent.

| | |
|----------------------------|--|
| Command Syntax | [SOURce:]PULSe:PERiod <NRf+> |
| Parameters | 3-phase models: 0 to 1.07533E6 MINimum MAXimum 1-phase models: 0 to 4.30133E5 MINimum MAXimum |
| Unit | S (seconds) |
| *RST Value | .03333 |
| Examples | PULS:PER 0.001 PULS:PER MIN |
| Query Syntax | [SOURce:]PULSe:PERiod? |
| Returned Parameters | <NR3> |
| Related Commands | PULS:COUN PULS:DCYC PULS:PER PULS:HOLD |

PULSe:WIDTh

This command sets the width of a transient output pulse. The command parameters are model-dependent.

| | |
|----------------------------|--|
| Command Syntax | [SOURce:]PULSe:WIDTh <NRf+> |
| Parameters | 3-phase models: 0 to 1.07533E6 MINimum MAXimum 1-phase models: 0 to 4.30133E5 MINimum MAXimum |
| Unit | S (seconds) |
| *RST Value | .01667 (equals the period of a single 60 Hz cycle) |
| Examples | PULS:WIDT 0.001 PULS:WIDT MIN |
| Query Syntax | [SOURce:]PULSe:WIDTh? |
| Returned Parameters | <NR3> |
| Related Commands | PULS:COUN PULS:DCYC PULS:PER PULS:HOLD |

Source Subsystem (Voltage)

This subsystem programs the output voltage of the ac source.

Subsystem Syntax

| | |
|-----------------------------|--|
| [SOURce:] | |
| VOLTage | |
| [:LEVel] | |
| [:IMMediate] | |
| [:AMPLitude] <n> | Sets the ac rms voltage amplitude |
| :TRIGgered | |
| [:AMPLitude] <n> | Sets the transient voltage amplitude |
| :MODE <mode> | Sets the voltage mode (FIX STEP PULS LIST) |
| :OFFSet | |
| [:IMMediate] <n> | Sets the dc offset voltage |
| :MODE <mode> | Sets the offset mode (FIX STEP PULS LIST) |
| :TRIGgered <n> | Sets the transient dc offset voltage |
| :SLEW | |
| [:IMMediate] <n> INFInity | Sets the voltage slew rate |
| :MODE <mode> | Sets voltage slew mode (FIX STEP PULS LIST) |
| :TRIGgered <n> INFInity | Sets the transient voltage slew rate |
| :PROTection | |
| [:LEVel] <n> | Sets the overvoltage protection threshold |
| :STATE <bool> | Sets the overvoltage protection state |
| :RANGe <n> | Sets the voltage range |
| :SENSe ALC | |
| :DETEctor RTIME RMS | Sets the sense detector for the voltage control loop |
| :SOURce INTernal EXTernal | Sets voltage sense source |
| :SLEW | |
| [:IMMediate] <n> INFInity | Sets the voltage slew rate |
| :MODE <mode> | Sets voltage slew mode (FIX STEP PULS LIST) |
| :TRIGgered <n> INFInity | Sets the transient voltage slew rate |

VOLTage**Phase Selectable**

This command programs the ac rms output voltage level of the ac source.

The maximum peak voltage that the ac source can output is 425 V peak. This includes any combination of voltage, voltage offset, and function shape values. Therefore, the maximum value that can be programmed depends on the peak-to-rms ratio of the selected waveform. For a sinewave, the maximum voltage that can be programmed is 300 V rms.

NOTE: For Agilent models 6814B, 6834B and 6843A, you cannot program a voltage that produces a higher volt-second on the output than a 300 Vrms sinewave.

| | |
|----------------------------|---|
| Command Syntax | [SOURce:]VOLTage[:LEVel][:IMMediate][:AMPLitude] <NRf+> |
| Parameters | For sinewaves: 0 to 300 MAXimum MINimum |
| Unit | V (rms voltage) |
| *RST Value | 1 |
| Examples | VOLT 115 VOLT:LEV 250 |
| Query Syntax | [SOURce:]VOLTage[:LEVel][:IMMediate][:AMPLitude]? |
| Returned Parameters | <NR3> |
| Related Commands | VOLT:MODE VOLT:TRIG VOLT:OFFS FUNC:SHAP |

VOLTage:TRIGgered**Phase Selectable**

This command selects the ac rms amplitude that the output waveform will be set to during a triggered step or pulse transient.

The maximum peak voltage that the ac source can output is 425 V peak. This includes any combination of voltage, voltage offset, and function shape values. Therefore, the maximum value that can be programmed depends on the peak-to-rms ratio of the selected waveform. For a sinewave, the maximum voltage that can be programmed is 300 V rms.

NOTE: For Agilent models 6814B, 6834B and 6843A, you cannot program a voltage that produces a higher volt-second on the output than a 300 Vrms sinewave.

| | |
|----------------------------|---|
| Command Syntax | [SOURce:]VOLTage[:LEVel]:TRIGgered[:AMPLitude] <NRf+> |
| Parameters | For sinewaves: 0 to 300 MAXimum MINimum |
| Unit | V (rms voltage) |
| *RST Value | 1 |
| Examples | VOLT:TRIG 120 VOLT:LEV:TRIG 150 |
| Query Syntax | [SOURce:]VOLTage[:LEVel]:TRIGgered[:AMPLitude]? |
| Returned Parameters | <NR3> (if the trigger level is not programmed, the immediate level is returned) |
| Related Commands | VOLT VOLT:MODE VOLT:OFFS FUNC:SHAP |

VOLTage:MODE**Phase Selectable**

This command determines how the ac rms output voltage is controlled during a triggered output transient. The choices are:

| | |
|--------------|---|
| FIXed | The voltage is unaffected by a triggered output transient. |
| STEP | The voltage is programmed to the value set by VOLTage:TRIGgered when a triggered transient occurs. |
| PULSe | The voltage is changed to the value set by VOLTage:TRIGgered for a duration determined by the pulse commands. |
| LIST | The voltage is controlled by the voltage list when a triggered transient occurs. |

| | |
|----------------------------|---|
| Command Syntax | [SOURce:]VOLTage:MODE <mode> |
| Parameters | FIXed STEP PULSe LIST |
| *RST Value | FIXed |
| Examples | VOLT:MODE FIX VOLT:MODE:LIST |
| Query Syntax | [SOURce:]VOLTage:MODE? |
| Returned Parameters | <CRD> |
| Related Commands | VOLT VOLT:TRIG |

VOLTage:OFFSet**Agilent 6811B, 6812B, 6813B, Only**

This command programs the dc output voltage level of the ac source.

The maximum peak voltage that the ac source can output is 425 V peak. This includes any combination of voltage, voltage offset, and function shape values. Therefore, the maximum value that can be programmed depends on the peak-to-rms ratio of the selected waveform. For a sinewave, the maximum voltage that can be programmed is 300 V rms.

NOTE: The OUTPut:COUPling must be set to **DC** to get non-zero dc output.

| | |
|----------------------------|--|
| Command Syntax | [SOURce:]VOLTage:OFFSet[:IMMEDIATE] <NRf+> |
| Parameters | -425 to +425 MAXimum MINimum |
| Unit | V (dc voltage) |
| *RST Value | 0 |
| Examples | VOLT:OFFS 100 |
| Query Syntax | [SOURce:]VOLTage:OFFSet[:IMMEDIATE]? |
| Returned Parameters | <NR3> |
| Related Commands | VOLT:OFFS:MODE OUTP:COUP FUNC:SHAP |

VOLTage:OFFSet:MODE**Agilent 6811B, 6812B, 6813B, Only**

This command determines how the dc offset voltage is controlled during a triggered output transient. The choices are:

| | |
|--------------|---|
| FIXed | The offset is unaffected by a triggered output transient. |
| STEP | The offset is programmed to the value set by VOLTage:OFFSet:TRIGgered when a triggered transient occurs. |
| PULSe | The offset is changed to the value set by VOLTage:OFFSet:TRIGgered for a duration determined by the pulse commands. |
| LIST | The offset is controlled by the voltage list when a triggered transient occurs. |

| | |
|----------------------------|---|
| Command Syntax | [SOURce:]VOLTage:OFFSet:MODE <mode> |
| Parameters | FIXed STEP PULSe LIST |
| *RST Value | FIXed |
| Examples | VOLT:OFFS:MODE FIX VOLT:OFFS:MODE:LIST |
| Query Syntax | [SOURce:]VOLTage:OFFSet:MODE? |
| Returned Parameters | <CRD> |
| Related Commands | VOLT:OFFS VOLT:OFFS:TRIG |

VOLTage:OFFSet:TRIGgered**Agilent 6811B, 6812B, 6813B, Only**

This command selects the dc offset that the output waveform will be set to during a triggered step or pulse transient.

The maximum peak voltage that the ac source can output is 425 V peak. This includes any combination of voltage, voltage offset, and function shape values. Therefore, the maximum value that can be programmed depends on the peak-to-rms ratio of the selected waveform. For a sinewave, the maximum voltage that can be programmed is 300 V rms.

NOTE: The OUTPut:COUPling must be set to **DC** to get non-zero dc output.

| | |
|----------------------------|---|
| Command Syntax | [SOURce:]VOLTage:OFFSet:TRIGgered <NRf+> |
| Parameters | -425 to +425 MAXimum MINimum |
| Unit | V (dc voltage) |
| *RST Value | 0 |
| Examples | VOLT:OFFS:TRIG 50 VOLT:OFFS:TRIG INF |
| Query Syntax | [SOURce:]VOLTage:OFFSet:TRIGgered? |
| Returned Parameters | <NR3> |
| Related Commands | VOLT:OFFS:MODE OUTP:COUP |

VOLTage:OFFSet:SLEW**Agilent 6811B, 6812B, 6813B, Only**

This command sets the slew rate for all programmed changes in dc output voltage. A parameter of MAXimum or INFinity sets the slew to its maximum possible rate. The SCPI representation for INFinity is 9.9E37.

| | |
|----------------------------|--|
| Command Syntax | [SOURce:]VOLTage:OFFSet:SLEW[:IMMEDIATE] <NRf+> INFinity |
| Parameters | 0 to 9.9E37 MAXimum MINimum INFinity |
| Unit | V (volts per second) |
| *RST Value | INFinity |
| Examples | VOLT:OFFS:SLEW 50 VOLT:OFFS:SLEW MAX |
| Query Syntax | [SOURce:]VOLTage:OFFSet:SLEW[:IMMEDIATE]? |
| Returned Parameters | <NR3> |
| Related Commands | VOLT:OFFS:MODE OUTP:COUP |

VOLTage:OFFSet:SLEW:MODE**Agilent 6811B, 6812B, 6813B, Only**

This command determines how the dc offset slew rate is controlled during a triggered output transient. The choices are:

| | |
|--------------|--|
| FIXed | The offset slew rate is unaffected by a triggered output transient. |
| STEP | The offset slew rate is programmed to the value set by VOLTage:OFFSet:SLEW:TRIGgered when a triggered transient occurs. |
| PULSe | The offset slew rate is changed to the value set by VOLTage:OFFSet:SLEW:TRIGgered for a duration determined by the pulse commands. |
| LIST | The offset slew rate is controlled by the voltage offset slew list when a triggered transient occurs. |

| | |
|----------------------------|--|
| Command Syntax | [SOURce:]VOLTage:OFFSet:SLEW:MODE <mode> |
| Parameters | FIXed STEP PULSe LIST |
| *RST Value | FIXed |
| Examples | VOLT:OFFS:SLEW:MODE STEP |
| Query Syntax | [SOURce:]VOLTage:OFFSet:SLEW:MODE? |
| Returned Parameters | <CRD> |
| Related Commands | VOLT:OFFS:SLEW VOLT:OFFS:SLEW:TRIG |

VOLTage:OFFSet:SLEW:TRIGgered**Agilent 6811B, 6812B, 6813B, Only**

This command selects the dc offset slew rate that will be set during a triggered step or pulse transient. A parameter of MAXimum or INFinity sets the slew to its maximum possible rate. The SCPI representation for infinity is 9.9E37.

| | |
|----------------------------|--|
| Command Syntax | [SOURce:]VOLTage:OFFSet:SLEW:TRIGgered <NRf+> INFinity |
| Parameters | 0 to 9.9E37 MAXimum MINimum INFinity |
| Unit | V (volts per second) |
| *RST Value | INFinity |
| Examples | VOLT:OFFS:SLEW:TRIG 50 VOLT:OFFS:SLEW:TRIG MAX |
| Query Syntax | [SOURce:]VOLTage:OFFSet:SLEW:TRIGgered? |
| Returned Parameters | <NR3> |
| Related Commands | VOLT:OFFS:SLEW VOLT:OFFS:SLEW:MODE |

VOLTage:PROTection**Phase Selectable**

This command sets the overvoltage protection (OVP) level of the ac source. If the peak output voltage exceeds the OVP level, then the output is disabled and the Questionable Condition status register OV bit is set (see Chapter 4 under Programming the Status Registers). An overvoltage condition can be cleared with the OUTPut:PROTection:CLEar command after the condition that caused the OVP trip is removed. The OVP always trips with zero delay and is unaffected by the OUTPut:PROTection:DELay command.

| | |
|----------------------------|--|
| Command Syntax | [SOURce:]VOLTage:PROTection[:LEVel] <NRf+> |
| Parameters | 0 to 500 MAXimum MINimum |
| Unit | V (peak voltage) |
| *RST Value | MAXimum |
| Examples | VOLT:PROT 400 VOLT:PROT:LEV MAX |
| Query Syntax | [SOURce:]VOLTage:PROTection[:LEVel]? |
| Returned Parameters | <NR3> |
| Related Commands | OUTP:PROT:CLE OUTP:PROT:DEL |

VOLTage:PROTection:STATe**Agilent 6811B, 6812B, 6813B, Only**

This command enables or disables the over-voltage protection feature.

| | |
|----------------------------|--|
| Command Syntax | [SOURce:]VOLTage:PROTection:STATe <Bool> |
| Parameters | 0 1 OFF ON |
| *RST Value | OFF |
| Examples | VOLT:PROT:STAT 1 VOLT:PROT:STAT ON |
| Query Syntax | [SOURce:]VOLTage:PROTection:STATe? |
| Returned Parameters | <NR3> |
| Related Commands | VOLT:PROT |

VOLTage:RANGe**Agilent 6814B, 6834B, 6843A Only****Phase Selectable**

This command sets the voltage range of the ac source. Two voltage ranges are available: a 150 volt range and a 300 volt range. Sending a parameter greater than 150 selects the 300 volt range, otherwise the 150 volt range is selected.

When the range is set to 150, the maximum rms voltage that can be programmed for a sine wave is 150 volts. For other waveshapes, the maximum programmable voltage may be different, depending on the waveform crest factor.

The VOLTage:RANGe command is coupled with the CURRent command. This means that the maximum current limit that can be programmed at a given time depends on the voltage range setting in which the unit is presently operating. Refer to Chapter 4 under "Coupled Commands" for more information.

| | |
|----------------------------|--|
| Command Syntax | [SOURce:]VOLTage:RANGe <NRf+> |
| Parameters | 150 300 MAXimum MINimum |
| *RST Value | MAXimum |
| Examples | VOLT:RANG 150 VOLT:RANG MIN |
| Query Syntax | [SOURce:]VOLTage:RANGe? |
| Returned Parameters | <NR3> |
| Related Commands | VOLT |

VOLTage:SENSe:DETECTOR**VOLTage:ALC:DETECTOR****Agilent 6811B, 6812B, 6813B, Only**

These commands select the type of closed loop feedback that is used by the output power circuits of the ac source. The commands are interchangeable; they both perform the same function. The following closed loop feedbacks can be selected:

RTIME This feeds the instantaneous output voltage back to the error amplifier and compares it to the reference waveform.

RMS This converts the rms output voltage to dc and compares it to a dc reference.

| | |
|----------------------------|--|
| Command Syntax | [SOURce:]VOLTage:SENSe:DETECTOR <type> [SOURce:]VOLTage:ALC:DETECTOR <type> |
| Parameters | RTIME RMS |
| *RST Value | RTIME |
| Examples | VOLT:SENS:DET RTIM VOLT:ALC:DET RMS |
| Query Syntax | [SOURce:]VOLTage:SENSe:DETECTOR? [SOURce:]VOLTage:ALC:DETECTOR? |
| Returned Parameters | <CRD> |
| Related Commands | VOLT:SENS:SOUR |

VOLTage:SENSe:SOURce

VOLTage:ALC:SOURce

These commands select the source from which the output voltage is sensed. The commands are interchangeable; they both perform the same function. The following voltage sense sources can be selected:

- INTERNAL** This senses the voltage at the output of the power amplifier on the inboard side of the output disconnect relay.
- EXTERNAL** This senses the output voltage at the rear panel voltage sense terminals, which allows remote voltage sensing at the load.

| | |
|----------------------------|--|
| Command Syntax | [SOURce:]VOLTage:SENSe:SOURce <source> [SOURce:]VOLTage:ALC:SOURce <source> |
| Parameters | INTERNAL EXTERNAL |
| *RST Value | INTERNAL |
| Examples | VOLT:SENS:SOUR INT VOLT:ALC:SOUR EXT |
| Query Syntax | [SOURce:]VOLTage:SENSe:SOURce? [SOURce:]VOLTage:ALC:SOURce? |
| Returned Parameters | <CRD> |
| Related Commands | VOLT:SENS:DET |

VOLTage:SLEW

Phase Selectable

This command sets the slew rate for all programmed changes in the ac rms output voltage level of the ac source. A parameter of MAXimum or INFINITY sets the slew to its maximum possible rate. The SCPI representation for INFINITY is 9.9E37.

| | |
|----------------------------|---|
| Command Syntax | [SOURce:]VOLTage:SLEW[:IMMEDIATE] <NRf+> INFINITY |
| Parameters | 0 to 9.9E37 MAXimum MINimum INFINITY |
| Unit | V (volts per second) |
| *RST Value | INFINITY |
| Examples | VOLT:SLEW 50 VOLT:SLEW INF |
| Query Syntax | [SOURce:]VOLTage:SLEW[:IMMEDIATE]? |
| Returned Parameters | <NR3> |
| Related Commands | VOLT:SLEW:MODE VOLT:SLEW:TRIG |

VOLTage:SLEW:MODE**Phase Selectable**

This command determines how the output voltage slew rate is controlled during a triggered output transient. The choices are:

| | |
|--------------|--|
| FIXed | The slew rate is unaffected by a triggered output transient. |
| STEP | The slew rate is programmed to the value set by VOLTage:SLEW:TRIGgered when a triggered transient occurs. |
| PULSe | The slew rate is changed to the value set by VOLTage:SLEW:TRIGgered for a duration determined by the pulse commands. |
| LIST | The slew rate is controlled by the voltage slew list when a triggered transient occurs. |

| | |
|----------------------------|-----------------------------------|
| Command Syntax | [SOURce:]VOLTage:SLEW:MODE <mode> |
| Parameters | FIXed STEP PULSe LIST |
| *RST Value | FIXed |
| Examples | VOLT:SLEW:MODE STEP |
| Query Syntax | [SOURce:]VOLTage:SLEW:MODE? |
| Returned Parameters | <CRD> |
| Related Commands | VOLT:SLEW VOLT:SLEW:TRIG |

VOLTage:SLEW:TRIGgered**Phase Selectable**

This command selects the slew rate that will be set during a triggered step or pulse transient. A parameter of MAXimum or INFINITY sets the slew to its maximum possible rate. The SCPI representation for infinity is 9.9E37.

| | |
|----------------------------|---|
| Command Syntax | [SOURce:]VOLTage:SLEW:TRIGgered <NRf+> INFINITY |
| Parameters | 0 to 9.9E37 MAXimum MINimum INFINITY |
| Unit | V (volts per second) |
| *RST Value | INFINITY |
| Examples | VOLT:SLEW:TRIG 50 VOLT:SLEW:TRIG MAX |
| Query Syntax | [SOURce:]VOLTage:SLEW:TRIGgered? |
| Returned Parameters | <NR3> |
| Related Commands | VOLT:SLEW VOLT:SLEW:MODE |

Status Subsystem

This subsystem programs the ac source status registers. The ac source has four groups of status registers; Operation, Questionable, Questionable Instrument ISummary and Standard Event. The Standard Event group is programmed with Common commands. The Operation, Questionable, and Instrument ISummary status groups each consist of the following five registers:

Condition Enable Event NTR Filter PTR Filter.

Refer to Chapter 4 under "Programming the Status Registers" for more information.

Subsystem Syntax

STATus

| | |
|-----------------|--|
| :PRESet | Presets all enable and transition registers to power-on |
| :OPERation | |
| [:EVENT]? | Returns the value of the event register |
| :CONDition? | Returns the value of the condition register |
| :ENABLE <n> | Enables specific bits in the Event register |
| :NTRansition<n> | Sets the Negative transition filter |
| :PTRansition<n> | Sets the Positive transition filter |
| :QUEStionable | |
| [:EVENT]? | Returns the value of the event register |
| :CONDition? | Returns the value of the condition register |
| :ENABLE <n> | Enables specific bits in the Event register |
| :NTRansition<n> | Sets the Negative transition filter |
| :PTRansition<n> | Sets the Positive transition filter |
| :INSTrument | |
| :ISUMmary | |
| [:EVENT]? | Returns the selected phase's event register value |
| :CONDition? | Returns the selected phase's condition register value |
| :ENABLE <n> | Enables specific bits in the selected phase's Event register |
| :NTRansition<n> | Sets the selected phase's Negative transition filter |
| :PTRansition<n> | Sets the selected Phase's Positive transition filter |

STATus:PRESet

This command sets the Enable, PTR, and NTR registers of the status groups to their power-on values. These values are:

Enable Registers: all bits set to 0 (OFF)

PTR Registers: all defined bits set to 1 (ON)

NTR Registers: all bits set to 0 (OFF)

| | |
|-----------------------|---------------|
| Command Syntax | STATus:PRESet |
| Parameters | None |
| Examples | STAT:PRES |

Bit Configuration of Operation Status Registers

| | | | | | | |
|--|----------|-----|----------|-----|----------|-----|
| Bit Position | 15–9 | 8 | 7–6 | 5 | 4–1 | 0 |
| Bit Name | not used | CV | not used | WTG | not used | CAL |
| Bit Weight | | 256 | | 32 | | 1 |
| CAL = Interface is computing new calibration constants WTG = Interface is waiting for a trigger. CV = Output voltage is regulated. | | | | | | |

STATus:OPERation?

This query returns the value of the Operation Event register. The Event register is a read-only register which holds (latches) all events that are passed by the Operation NTR and/or PTR filter. Reading the Operation Event register clears it.

Query Syntax STATus:OPERation[:EVENT]?
Parameters None
Examples STAT:OPER:EVENT?
Returned Parameters <NR1> (register value)
Related Commands *CLS STAT:OPER:NTR STAT:OPER:PTR

STATus:OPERation:CONDition?

This query returns the value of the Operation Condition register. That is a read-only register which holds the real-time (unlatched) operational status of the ac source.

Query Syntax STATus:OPERation:CONDition?
Parameters None
Examples STAT:OPER:COND?
Returned Parameters <NR1> (register value)
Related Commands STAT:QUES:COND?

STATus:OPERation:ENABLE

This command and its query set and read the value of the Operation Enable register. This register is a mask for enabling specific bits from the Operation Event register to set the operation summary bit (OPER) of the Status Byte register. The operation summary bit is the logical OR of all enabled Operation Event register bits.

Command Syntax STATus:OPERation:ENABLE <NRf+>
Parameters 0 to 32767 | MAXimum | MINimum
Default Value 0
Examples STAT:OPER:ENAB 32 STAT:OPER:ENAB 1
Query Syntax STATus:OPERation:ENABLE?
Returned Parameters <NR1> (register value)
Related Commands STAT:OPER?

STATus:OPERation:NTRansition

STATus:OPERation:PTRansition

These commands set or read the value of the Operation NTR (Negative-Transition) and PTR (Positive-Transition) registers. These registers serve as polarity filters between the Operation Enable and Operation Event registers to cause the following actions:

- ◆ When a bit in the Operation NTR register is set to 1, then a 1-to-0 transition of the corresponding bit in the Operation Condition register causes that bit in the Operation Event register to be set.
- ◆ When a bit of the Operation PTR register is set to 1, then a 0-to-1 transition of the corresponding bit in the Operation Condition register causes that bit in the Operation Event register to be set.
- ◆ If the same bits in both NTR and PTR registers are set to 1, then **any transition** of that bit at the Operation Condition register sets the corresponding bit in the Operation Event register.
- ◆ If the same bits in both NTR and PTR registers are set to 0, then **no transition** of that bit at the Operation Condition register can set the corresponding bit in the Operation Event register.

NOTE: Setting a bit in the PTR or NTR filter can of itself generate positive or negative events in the corresponding Operation Event register.

| | |
|----------------------------|--|
| Command Syntax | STATus:OPERation:NTRansition <NRf+> STATus:OPERation:PTRansition <NRf+> |
| Parameters | 0 to 32767 MAXimum MINimum |
| Default Value | 0 |
| Examples | STAT:OPER:NTR 32 STAT:OPER:PTR 1 |
| Query Syntax | STATus:OPERation:NTRansition? STATus:OPERation:PTRansition? |
| Returned Parameters | <NR1> (register value) |
| Related Commands | STAT:OPER:ENAB |

Bit Configuration of Questionable Status Registers

| Bit Position | 15 | 14 | 13 | 12 | 11 | 10 | 9 | 8–5 | 4 | 3 | 2 | 1 | 0 |
|--|----------|-----------|------|--------|------|---------|-----|----------|----|-----|-----|-----|----|
| Bit Name | not used | Meas Ovld | Isum | CL rms | Rail | CL peak | RI | not used | OT | UNR | SOA | OCP | OV |
| Bit Weight | | 16384 | 8192 | 4096 | 2048 | 1024 | 512 | | 16 | 8 | 4 | 2 | 1 |
| OV over-voltage protection has tripped OCP over-current protection has tripped SOA safe operating area protection has tripped (Agilent 6811B, 6812B, 6813B) UNR output is unregulated OT over-temperature protection has tripped RI remote inhibit is active CL peak peak current limit is active (Agilent 6811B, 6812B, 6813B) Rail rail protection tripped (Agilent 6811B, 6812B, 6813B); rail voltage unregulated (Agilent 6814B, 6834B, 6843A) CL rms rms current limit is active Isum summary of Isum registers (Agilent 6834B) MeasOvld current measurement exceeded low current range capability (Agilent 6811B, 6812B, 6813B) | | | | | | | | | | | | | |

STATus:QUEStionable?

This query returns the value of the Questionable Event register. The Event register is a read-only register which holds (latches) all events that are passed by the Questionable NTR and/or PTR filter. Reading the Questionable Event register clears it.

NOTE: On the Agilent 6834B, each signal that is fed into the Questionable Status Condition register is logically-ORed from three corresponding status signals that originate from each phase.

Query Syntax STATus:QUEStionable[:EVENT]?
Parameters None
Examples STAT:QUES:EVEN?
Returned Parameters <NR1> (register value)
Related Commands *CLS STAT:QUES:NTR STAT:QUES:PTR

STATus:QUEStionable:CONDition?

This query returns the value of the Questionable Condition register. That is a read-only register which holds the real-time (unlatched) questionable status of the ac source.

Query Syntax STATus:QUEStionable:CONDition?
Parameters None
Examples STAT:QUES:COND?
Returned Parameters <NR1> (register value)
Related Commands STAT:OPER:COND?

STATus:QUEStionable:ENABle

This command sets or reads the value of the Questionable Enable register. This register is a mask for enabling specific bits from the Questionable Event register to set the questionable summary (QUES) bit of the Status Byte register. This bit (bit 3) is the logical OR of all the Questionable Event register bits that are enabled by the Questionable Status Enable register.

| | |
|----------------------------|---|
| Command Syntax | STATus:QUEStionable:ENABle <NRf+> |
| Parameters | 0 to 32767 MAXimum MINimum |
| Default Value | 0 |
| Examples | STAT:QUES:ENAB 32 STAT:QUES:ENAB 1 |
| Query Syntax | STATus:QUEStionable:ENABle? |
| Returned Parameters | <NR1> (register value) |
| Related Commands | STAT:QUES? |

STATus:QUEStionable:NTRansition**STATus:QUEStionable:PTRansition**

These commands set or read the value of the Questionable NTR (Negative-Transition) and PTR (Positive-Transition) registers. These registers serve as polarity filters between the Questionable Enable and Questionable Event registers to cause the following actions:

- ◆ When a bit in the Questionable NTR register is set to 1, then a 1-to-0 transition of the corresponding bit in the Questionable Condition register causes that bit in the Questionable Event register to be set.
- ◆ When a bit of the Questionable PTR register is set to 1, then a 0-to-1 transition of the corresponding bit in the Questionable Condition register causes that bit in the Questionable Event register to be set.
- ◆ If the same bits in both NTR and PTR registers are set to 1, then **any transition** of that bit at the Questionable Condition register sets the corresponding bit in the Questionable Event register.
- ◆ If the same bits in both NTR and PTR registers are set to 0, then **no transition** of that bit at the Questionable Condition register can set the corresponding bit in the Questionable Event register.

NOTE: Setting a bit in the PTR or NTR filter can of itself generate positive or negative events in the corresponding Questionable Event register.

| | |
|----------------------------|--|
| Command Syntax | STATus:QUEStionable:NTRansition <NRf+> STATus:QUEStionable:PTRansition <NRf+> |
| Parameters | 0 to 32767 MAXimum MINimum |
| Default Value | 0 |
| Examples | STAT:QUES:NTR 32 STAT:QUES:PTR 1 |
| Query Syntax | STATus:QUEStionable:NTRansition? STATus:QUEStionable:PTRansition? |
| Returned Parameters | <NR1> (register value) |
| Related Commands | STAT:QUES:ENAB |

Bit Configuration of Questionable Instrument Summary Registers

| Bit Position | 15-13 | 12 | 11 | 10 | 9 | 8-5 | 4 | 3 | 2 | 1 | 0 |
|--------------|--|--------|------|----------|-----|----------|----|-----|----------|-----|----|
| Bit Name | not used | CL rms | Rail | not used | RI | not used | OT | UNR | not used | OCP | OV |
| Bit Weight | | 4096 | 2048 | | 512 | | 16 | 8 | | 2 | 1 |
| OV | over-voltage protection has tripped | | | | | | | | | | |
| OCP | over-current protection has tripped | | | | | | | | | | |
| UNR | output is unregulated | | | | | | | | | | |
| OT | over-temperature protection has tripped | | | | | | | | | | |
| RI | remote inhibit is active | | | | | | | | | | |
| Rail | rail protection tripped (Agilent 6811B, 6812B, 6813B); rail voltage unregulated (Agilent 6814B, 6834B, 6843A) | | | | | | | | | | |
| CL rms | rms current limit is active | | | | | | | | | | |

STATus:QUESTionable:INSTrument:ISUMmary?

Agilent 6834B Only

Phase Selectable

This command returns the value of the Questionable Event register for a specific output of a three-phase ac source. The particular output phase must first be selected by INST:NSEL.

The Event register is a read-only register which holds (latches) all events that are passed by the Questionable NTR and/or PTR filter. Reading the Questionable Event register clears it.

| | |
|----------------------------|---|
| Query Syntax | STATus:QUESTionable:INSTrument:ISUMmary[:EVENT]? |
| Parameters | None |
| Examples | STAT:QUES:INST:ISUM:EVEN? |
| Returned Parameters | <NR1> (register value) |
| Related Commands | *CLS INST:NSEL STAT:QUES:INST:ISUM:NTR STAT:QUES:INST:ISUM:PTR |

STATus:QUEStionable:INSTrument:ISUMmary:CONDition?

Agilent 6834B Only

Phase Selectable

This query returns the value of the Questionable Condition register for a specific output of a three-phase ac source. The particular output phase must first be selected by INST:NSEL.

The Condition register is a read-only register which holds the real-time (unlatched) questionable status of the ac source.

| | |
|----------------------------|---|
| Query Syntax | STATus:QUEStionable:INSTrument:ISUMmary:CONDition]? |
| Parameters | None |
| Examples | STAT:QUES:INST:ISUM:COND? |
| Returned Parameters | <NR1> (register value) |
| Related Commands | STAT:QUES:COND? |

STATus:QUEStionable:INSTrument:ISUMmary:ENABLE

Agilent 6834B Only

Phase Selectable

This command sets or reads the value of the Questionable Enable register for a specific output of a three-phase ac source. The particular output phase must first be selected by INST:NSEL.

The Enable register is a mask for enabling specific bits from the Questionable Event register to set the questionable summary (QUES) bit of the Status Byte register. This bit (bit 3) is the logical OR of all the Questionable Event register bits that are enabled by the Questionable Status Enable register.

| | |
|----------------------------|---|
| Command Syntax | STATus:QUEStionable:INSTrument:ISUMmary:ENABLE <NRf+> |
| Parameters | 0 to 32767 MAXimum MINimum |
| Default Value | 0 |
| Examples | STAT:QUES:INST:ISUM:ENAB 32 |
| Query Syntax | STATus:QUEStionable:INSTrument:ISUMmary:ENABLE? |
| Returned Parameters | <NR1> (register value) |
| Related Commands | STAT:QUES:INST:ISUM? |

STATus:QUEStionable:INSTrument:ISUMmary:NTR STATus:QUEStionable:INSTrument:ISUMmary:PTR

Agilent 6834B Only

These commands set or read the value of the Questionable Instrument Isummary NTR (Negative-Transition) and PTR (Positive-Transition) registers for a three-phase ac source. These registers serve as polarity filters between the Questionable Instrument Isummary Enable and Questionable Instrument Isummary Event registers to cause the following actions:

- ◆ When a bit in the Questionable Instrument Isummary NTR register is set to 1, then a 1-to-0 transition of the corresponding bit in the Questionable Instrument Isummary Condition register causes that bit in the Questionable Instrument Isummary Event register to be set.
- ◆ When a bit of the Questionable Instrument Isummary PTR register is set to 1, then a 0-to-1 transition of the corresponding bit in the Questionable Instrument Isummary Condition register causes that bit in the Questionable Instrument Isummary Event register to be set.
- ◆ If the same bits in both NTR and PTR registers are set to 1, then **any transition** of that bit at the Questionable Instrument Isummary Condition register sets the corresponding bit in the Questionable Instrument Isummary Event register.
- ◆ If the same bits in both NTR and PTR registers are set to 0, then **no transition** of that bit at the Questionable Instrument Isummary Condition register can set the corresponding bit in the Questionable Instrument Isummary Event register.

NOTE: Setting a bit in the PTR or NTR filter can of itself generate positive or negative events in the corresponding Questionable Instrument Isummary Event register.

| | |
|----------------------------|--|
| Command Syntax | STATus:QUEStionable:INSTrument:ISUMmary:NTRansition <NRf+> STATus:QUEStionable:INSTrument:ISUMmary:PTRansition <NRf+> |
| Parameters | 0 to 32767 MAXimum MINimum |
| Default Value | 0 |
| Examples | STAT:QUES:INST:ISUM:NTR 32 |
| Query Syntax | STATus:QUEStionable:INSTrument:ISUMmary:NTRansition? STATus:QUEStionable:INSTrument:ISUMmary:PTRansition? |
| Returned Parameters | <NR1> (register value) |
| Related Commands | STAT:QUES:INST:ISUM:ENAB |

System Commands

The system commands control the system-level functions of the ac source.

Subsystem Syntax

| | |
|----------------------|--|
| SYSTEM | |
| :CONFigure <mode> | Selects the operating mode of the ac source (NORM IEC) |
| :NOUTputs <n> | Select the number of output phases (1 or 3) |
| :ERRor? | Returns the error number and error string |
| :VERSion? | Returns the SCPI version number |
| :LANGUage <language> | Sets the programming language (SCPI E9012) |
| :LOCal | Go to local mode (RS-232 only) |
| :REMote | Go to remote mode (RS-232 only) |
| :RWLock | Go to remote with lockout mode (RS-232 only) |

SYSTEM:CONFigure

Agilent 6812B, 6813B, 6843A Only

This command sets the overall operating mode of the ac source. The choices are:

| | |
|---------------|--|
| NORMAL | Causes the unit to operate in standard ac source mode. |
| IEC | Modifies the basic behavior of the transient and measurement systems to facilitate harmonic and flicker emissions testing. (IEC mode is automatically selected when running the Agilent 14761A Harmonic and Flicker Emissions Tests software application.) |

Refer to SYSTEM:CONFigure in appendix E for more information about the differences between Normal mode and IEC mode.

| | |
|----------------------------|---|
| Command Syntax | SYSTEM:CONFigure <mode> |
| Parameters | NORMAL IEC |
| *RST Value | NORMAL |
| Examples | SYST:CONF NORM |
| Query Syntax | SYSTEM:CONFigure? |
| Returned Parameters | <CRD> |
| Related Commands | ABORT MEAS:ARR:CURR MEAS:ARR:VOLT SENS:WIND |

SYSTem:CONFigure:NOUTputs

Agilent 6834B Only

This command selects the number of output phases for ac sources that have single-phase and three-phase switchable capability. This selection is stored in non-volatile memory and is retained after power-off. The execution of this command disables all outputs, reconfigures the current readback and programming calibration constants, returns all lists and *RCL states to their factory default states, and reboots the ac source. Note that this may require you to reprogram the lists and recall states each time the outputs are switched.

| | |
|----------------------------|---------------------------------|
| Command Syntax | SYSTem:CONFigure:NOUTputs <NR1> |
| Parameters | 1 or 3 |
| Examples | SYST:CONF:NOUT 1 |
| Query Syntax | SYSTem:CONFigure:NOUTputs? |
| Returned Parameters | <NR1> |

SYSTem:ERRor?

This query returns the next error number followed by its corresponding error message string from the remote programming error queue. The queue is a FIFO (first-in, first-out) buffer that stores errors as they occur. As it is read, each error is removed from the queue. When all errors have been read, the query returns "0, No Error". If more errors are accumulated than the queue can hold, the last error in the queue is "-350, Too Many Errors".

| | |
|----------------------------|---------------|
| Query Syntax | SYSTem:ERRor? |
| Parameters | None |
| Returned Parameters | <NR1>, <SRD> |
| Examples | SYST:ERR? |

SYSTem:VERSiOn?

This query returns the SCPI version number to which the ac source complies. The value is of the form YYYY.V, where YYYY is the year and V is the revision number for that year.

| | |
|----------------------------|-----------------|
| Query Syntax | SYSTem:VERSiOn? |
| Parameters | None |
| Examples | SYST:VERS? |
| Returned Parameters | <NR2> |

SYSTem:LANGUage

Sets the command language of the ac source to either SCPI or Elgar Model 9012 PIP. The language selection is stored in non-volatile memory and is retained after power-off. Both the command and query form can be given regardless of the current language. Refer to Appendix D for more information.

| | |
|----------------------------|----------------------------|
| Command Syntax | SYSTem:LANGUage <language> |
| Parameters | SCPI E9012 |
| Example | SYST:LANG SCPI |
| Query Syntax | SYSTem:LANGUage? |
| Returned Parameters | <CRD> |

SYSTem:LOCal

This command can only be used with the RS-232 interface. It sets the interface in Local state, which enables the front panel controls.

| | |
|-------------------------|-------------------|
| Command Syntax | SYSTem:LOCal |
| Parameters | None |
| Example | SYST:LOC |
| Related Commands | SYST:REM SYST:RWL |

SYSTem:REMote

This command can only be used with the RS-232 interface. It sets the interface in the Remote state, which disables all front panel controls except the Local key. Pressing the Local key while in the Remote state returns the front panel to the Local state.

| | |
|-------------------------|-------------------|
| Command Syntax | SYSTem:REMote |
| Parameters | None |
| Example | SYST:REM |
| Related Commands | SYST:LOC SYST:RWL |

SYSTem:RWLock

This command can only be used with the RS-232 interface. It sets the interface in the Remote-Lockout state, which disables all front panel controls including the Local key. Use SYSTem:LOCal to return the front panel to the Local state.

| | |
|-------------------------|-------------------|
| Command Syntax | SYSTem:RWLock |
| Parameters | None |
| Example | SYST:RWL |
| Related Commands | SYST:REM SYST:LOC |

Trace Subsystem

This subsystem programs the output waveform of the ac source. Two waveform commands are available: TRACe and DATA. These commands are interchangeable; they both perform the same function.

Subsystem Syntax

| | |
|---|------------------------------------|
| TRACe DATA | |
| :CATalog? | Return list of defined waveforms |
| [:DATA] <waveform_name>, <n> {, <n>} | Assign values to a waveform |
| :DEFine <waveform_name>[, <waveform_name> 1024] | Create and name new waveform |
| :DELete | |
| [:NAME] <waveform_name> | Delete waveform to free its memory |

TRACe DATA

These commands set the values of a user-defined waveform table.

The first parameter is the name of a waveform that was previously defined with TRACe:DEFine. Following the name are 1024 data points that define the relative amplitudes of exactly one cycle of the waveform. The first data point defines the relative amplitude that will be output at 0 degrees phase reference. An error will occur if exactly 1024 data points are not sent with the command.

Data points can be in any arbitrary units. The ac source scales the data to an internal format that removes the dc component and ensures that the correct ac rms voltage is output when the waveform is selected. When queried, trace data is returned as normalized values in the range of ± 1 . You can query the predefined SINusoid, SQUare, or CSINusoid waveform shapes, but you cannot use the predefined names as names for your waveform.

Waveform data is stored in nonvolatile memory and is retained when input power is removed. Up to 12 user-defined waveforms may be created and stored. The *RST and *RCL commands have no effect on user-defined waveforms.

A waveform can be selected for output using the FUNCtion:SHAPE, FUNCtion:SHAPE:TRIGgered, or LIST:SHAPE commands.

| | |
|----------------------------|--|
| Command Syntax | TRACe[:DATA] <waveform_name>, <NRf> {,<NRf>} |
| | DATA[:DATA] <waveform_name>, <NRf> {,<NRf>} |
| Parameters | <waveform_name>, <amplitude> |
| Examples | TRAC flattop,0.1,0.3,0.7,.....-0.7,-0.3,-0.1 |
| Query Syntax | TRACe[:DATA]? <waveform_name> |
| | DATA[:DATA]? <waveform_name> |
| Returned Parameters | <NR3> {,<NR3>} (a total of 1024 data points) |
| Related Commands | TRAC:DATA TRAC:DEL FUNC:SHAP |

TRACe:CATalog? DATA:CATalog?

These queries return a list of defined waveform names. The list includes both pre-defined waveforms such as SINusoid, SQUare, and CSINusoid, as well as any user-defined waveforms.

| | |
|----------------------------|------------------------------------|
| Query Syntax | TRACe:CATalog? DATA:CATalog? |
| Parameters | None |
| Examples | TRAC:CAT? DATA:CAT? |
| Returned Parameters | <SRD> |
| Related Commands | TRAC:DATA TRAC:DEL FUNC:SHAP |

TRACe:DEFine DATA:DEFine

These commands define a new waveform with the name <waveform_name> and allocates storage for its data. The waveform name can then be referenced by the TRACe:DATA command to define its data values.

An optional second argument is accepted for SCPI compatibility although it serves no useful purpose in the ac source. The second argument can be the name of an existing waveform, or the number of points in the trace. When a second name is sent, the data from the first waveform name is copied to the second. When the number of points in the trace is sent, only the number 1024 is accepted.

| | |
|-------------------------|---|
| Command Syntax | TRACe:DEFine <waveform_name> [, <waveform_name> 1024] DATA:DEFine <waveform_name> [, <waveform_name> 1024] |
| Parameters | <waveform_name> |
| Examples | TRAC:DEF flattop |
| Related Commands | TRAC:DATA TRAC:DEL FUNC:SHAP |

TRACe:DELeTe DATA:DELeTe

These commands delete the user-defined waveform table with the name <waveform_name> and makes its memory available for other waveforms.

| | |
|-------------------------|---|
| Command Syntax | TRACe:DELeTe[:NAME] <waveform_name> DATA:DELeTe[:NAME] <waveform_name> |
| Parameters | <waveform_name> |
| Examples | TRAC:DEL flattop |
| Related Commands | TRAC:DATA TRAC:DEF FUNC:SHAP |

Trigger Subsystem

This subsystem controls the triggering of the ac source. See Chapter 4 under "Triggering Output Changes" for an explanation of the Trigger Subsystem. The INITiate commands control the initialization of both the transient and measurement trigger systems.

NOTE: The trigger subsystem must first be enabled using the INITiate commands or no triggering action will occur.

Subsystem Syntax

| | |
|---------------------------|---|
| ABORt | Resets the trigger system to the Idle state |
| INITiate | |
| [:IMMEDIATE] | Initiates the system for one trigger |
| :SEQUENCE[1 3] | Initiates a specific numbered sequence |
| :NAME <name> | Initiates a specific named sequence (TRANSient ACQUIRE) |
| :CONTINUOUS | |
| :SEQUENCE[1] <bool> | Sets continuous initialization |
| :NAME TRANSient <bool> | Sets continuous initialization |
| TRIGGER | |
| [:SEQUENCE1 :TRANSient] | |
| [:IMMEDIATE] | Triggers the output immediately |
| :DELAY <n>] | Sets the trigger delay time |
| :SOURCE <source> | Sets the trigger source (BUS EXT IMM) |
| :SEQUENCE2 :SYNChronize | |
| :SOURCE <source> | Sets the synchronous source (PHASE IMMEDIATE) |
| :PHASE <n> | Sets the synchronous phase reference |
| :SEQUENCE3 :ACQUIRE | |
| [:IMMEDIATE] | Triggers the measurement immediately |
| :SOURCE <source> | Sets the trigger source (BUS EXT TTLT) |
| :SEQUENCE1 | |
| :DEFINE TRANSient | Sets or queries the SEQ1 name |
| :SEQUENCE2 | |
| :DEFINE SYNChronize | Sets or queries the SEQ2 name |
| :SEQUENCE3 | |
| :DEFINE ACQUIRE | Sets or queries the SEQ3 name |

ABORt

This command resets the measurement and transient trigger systems to the Idle state. Any output transient or measurement that is in progress is immediately aborted. ABORt also cancels any lists or pulses that may be in process.

ABORt also resets the WTG bit in the Operation Condition Status register (see Chapter 4 under "Programming the Status Registers"). ABORt is executed at power turn-on and upon execution of *RCL, RST, or any implied abort command (see List Subsystem).

NOTE: If INITiate:CONTinuous ON has been programmed, the trigger subsystem initiates itself immediately after ABORt, thereby setting the WTG bit.

| | |
|-------------------------|---------------------|
| Command Syntax | ABORt |
| Parameters | None |
| Examples | ABOR |
| Related Commands | INIT *RST *TRG TRIG |

INITiate:SEQuence**INITiate:NAME**

The INITiate commands control the initiation of both the transient generator and the measurement trigger systems. They cause the trigger system to make a transition from the Idle state to the Waiting-for-Trigger state. If the trigger system is not in the Idle state, the initiate commands are ignored.

INITiate:SEQuence and INITiate:NAME initiate the trigger systems to reference trigger sequences. INITiate:SEQuence references a trigger sequence by its number, while INITiate:NAME references a sequence by its name. The correspondence between sequence names and numbers is:

| Sequence Number | Sequence Number | Description |
|-----------------|-----------------|---|
| 1 (the default) | TRANsient | Step, pulse, or list transient trigger sequence |
| 3 | ACQuire | Measurement acquire trigger sequence |

| | |
|-------------------------|---|
| Command Syntax | INITiate[:IMMEDIATE]:SEQuence[1 3] INITiate[:IMMEDIATE]:NAME<name> |
| Parameters | For INIT:NAME: TRANsient ACQuire |
| Examples | INIT:SEQ1 INIT:NAME ACQ |
| Related Commands | ABOR INIT:CONT TRIG *TRG |

INITiate:CONTInuous:SEQuence

INITiate:CONTInuous:NAME

These commands control the transient generator trigger system as follows:

- 1 or ON** Continuously initiates the transient trigger system.
- 0 or OFF** Turns off continuous triggering. In this state, the trigger system must be initiated for each triggered event using INITiate:SEQuence.

INITiate:CONTInuous:SEQuence references the transient trigger sequence by its number, while INITiate:CONTInuous:NAME references it by its name.

Command Syntax INITiate:CONTInuous:SEQuence[1] <Bool>
INITiate:CONTInuous:NAME TRANsient, <Bool>

Parameters 0 | 1 | OFF | ON

Examples INIT:CONT:SEQ ON INIT:CONT:NAME TRAN, 1

Related Commands ABOR INIT:CONT TRIG *TRG

TRIGger

When the trigger subsystem has been initiated, the TRIGger command generates a trigger signal regardless of the selected trigger source.

Command Syntax TRIGger[:SEQuence1][:IMMEDIATE]
TRIGger[:TRANsient][:IMMEDIATE]

Parameters None

Examples TRIG TRIG:TRAN TRIG:SEQ1:IMM

Related Commands ABOR TRIG:SOUR TRIG:DEL TRIG:SYNC
TRIG:SYNC:PHAS INIT INIT:CONT *TRG WAI

TRIGger:DELAy

This command sets the time delay between the detection of a trigger signal and the start of any corresponding trigger action. After the time delay has elapsed, the trigger is implemented unless the trigger system is also waiting for a sync signal that has been specified by TRIGger:SYNChronous:PHASe.

Command Syntax TRIGger[:SEQuence1]:DELAy <NRf+>
TRIGger[:TRANsient]:DELAy <NRf+>

Parameters 3-phase models: 0 to 1.07533E6 | MINimum | MAXimum
1-phase models: 0 to 4.30133E5 | MINimum | MAXimum

Unit S (seconds)

***RST Value** 0

Examples TRIG:DEL .25 TRIG:DEL MAX TRIG:TRAN:DEL 1

Query Syntax TRIGger[:SEQuence1]:DELAy?
TRIGger[:TRANsient]:DELAy?

Returned Parameters <NR3>

Related Commands ABOR TRIG TRIG:SOUR TRIG:SYNC
TRIG:SYNC:PHAS INIT INIT:CONT *TRG WAI

TRIGger:SOURce

This command selects the trigger source for the first sequence in generating a step, pulse, or list output as follows:

BUS GPIB device, *TRG, or <GET> (Group Execute Trigger)
EXtErnal ac source's backplane Trigger In BNC
IMMediate trigger is generated as soon as the trigger system is initiated.

Command Syntax TRIGger[:SEQuence1]:SOURce <CRD>
 TRIGger[:TRANsient]:SOURce <CRD>
Parameters BUS | EXtErnal | IMMediate
***RST Value** BUS
Examples TRIG:SOUR BUS TRIG:TRAN:SOUR EXT
Query Syntax TRIGger[:SEQuence1]:SOURce?
 TRIGger[:TRANsient]:SOURce?
Returned Parameters <CRD>
Related Commands ABOR TRIG TRIG:DEL TRIG:SYNC
 TRIG:SYNC:PHAS INIT INIT:CONT *TRG WAI

TRIGger:SEQuence2:SOURce
TRIGger:SYNChronize:SOURce

These commands select the synchronizing trigger source in generating a step, pulse, or list output as follows:

IMMediate Starts the transient output immediately, unless a delay time other than 0 has been specified by TRIGger:DElAy. In this case the transient output starts after the expiration of the delay time.
PHASe Starts the transient output at the reference phase set by TRIG:SYNc:PHAS.

Command Syntax TRIGger:SEQuence2:SOURce <CRD>
 TRIGger:SYNChronize:SOURce <CRD>
Parameters IMMediate | PHASe
***RST Value** IMMediate
Examples TRIG:SYNc:SOUR IMM TRIG:SEQ2:SOUR PHAS
Query Syntax TRIGger:SEQuence2:SOURce?
 TRIGger:SYNChronize:SOURce?
Returned Parameters <CRD>
Related Commands ABOR TRIG TRIG:DEL TRIG:SOUR
 TRIG:SYNc:PHAS INIT INIT:CONT *TRG WAI

TRIGger:SEQuence2:PHASe

TRIGger:SYNChronize:PHASe

These commands set the phase angle with respect to an internal phase reference at which PHASe:SYNChronous:SOURce becomes true. The range is from –360 to +360 degrees.

| | |
|----------------------------|--|
| Command Syntax | TRIGger:SEQuence2:PHASe <NRf+> TRIGger:SYNChronize:PHASe <NRf+> |
| Parameters | –360 to +360 (degrees) MAXimum MINimum |
| *RST Value | 0 |
| Examples | TRIG:SYNC:PHAS 90 TRIG:SEQ2:PHAS 180 |
| Query Syntax | TRIGger:SEQuence2:PHASe? TRIGger:SYNChronize:PHASe? |
| Returned Parameters | <NR3> |
| Related Commands | ABOR TRIG TRIG:DEL TRIG:SYNC INIT INIT:CONT *TRG WAI |

TRIGger:SEQuence3

TRIGger:ACQuire

When the trigger subsystem has been initiated, these commands generate a measurement trigger regardless of the selected trigger source. The measurement trigger causes the to digitize the instantaneous output voltage and current for several output cycles and store the results in a buffer.

The FETCh commands return the requested calculation from this acquired data. When the measurement completes, the WTG bit in the Status Operation Condition register is cleared.

| | |
|-------------------------|--|
| Command Syntax | TRIGger:SEQuence3[:IMMEDIATE] |
| | TRIGger:ACQuire[:IMMEDIATE] |
| Parameters | None |
| Examples | TRIG:ACQ TRIG:SEQ3:IMM |
| Related Commands | ABOR TRIG TRIG:DEL TRIG:SYNC TRIG:SYNC:PHAS INIT INIT:CONT *TRG WAI |

TRIGger:SEQuence3:SOURce

TRIGger:ACQuire:SOURce

These commands select the trigger source for a triggered measurement sequence as follows:

BUS GPIB device, *TRG, or <GET> (Group Execute Trigger)
EXtErnal ac source's backplane Trigger In BNC
TTLTrg the signal driving the Trigger Out BNC

Command Syntax TRIGger:SEQuence3:SOURce <CRD>
 TRIGger:ACQuire:SOURce <CRD>
Parameters BUS | EXtErnal | TTLTrg
***RST Value** BUS
Examples TRIG:ACQ:SOUR BUS TRIG:SEQ3:SOUR EXT
Query Syntax TRIGger:SEQuence3:SOURce?
 TRIGger:ACQuire:SOURce?
Returned Parameters <CRD>
Related Commands ABOR TRIG TRIG:DEL TRIG:SYNC
 TRIG:SYNC:PHAS INIT INIT:CONT *TRG WAI

TRIGger:SEQuence1:DEFine

TRIGger:SEQuence2:DEFine

TRIGger:SEQuence3:DEFine

These commands define the names that are aliased to trigger sequences 1, 2 and 3. The command accepts only TRANsient for sequence 1, SYNChronous for sequence 2, and ACQuire for sequence 3 as predefined names. The query allows the user to query the instrument names aliased to sequences 1, 2, and 3.

Command Syntax TRIGger:SEQuence1:DEFine TRANsient
 TRIGger:SEQuence2:DEFine SYNChronous
 TRIGger:SEQuence3:DEFine ACQuire
Parameters TRANsient, SYNChronous, ACQuire
***RST Value** BUS
Examples TRIG:SEQ1:DEF TRAN TRIG:SEQ3:DEF ACQ
Query Syntax TRIGger:SEQuence1:DEFine?
 TRIGger:SEQuence2:DEFine?
 TRIGger:SEQuence3:DEFine?
Returned Parameters <CRD>

Common Commands

Common commands begin with an * and consist of three letters (command) IEEE 488.2 standard to perform some common interface functions. The Agilent ac sources respond to the required common commands that control status reporting, synchronization, and internal operations. The ac sources also respond to optional common commands that control triggers, power-on conditions, and stored operating parameters.

Common commands and queries are listed alphabetically. If a command has a corresponding query that simply returns the data or status specified by the command, then both command and query are included under the explanation for the command. If a query does not have a corresponding command or is functionally different from the command, then the query is listed separately. The description for each common command or query specifies any status registers affected. Refer to Chapter 4 under "Programming the Status Registers", which explains how to read specific register bits and use the information that they return.

Common Commands Syntax

| | |
|-------------|---|
| *CLS | Clear status |
| *ESE <n> | Standard event status enable |
| *ESE? | Return standard event status enable |
| *ESR? | Return event status register |
| *IDN? | Return instrument identification |
| *OPC | Enable "operation complete" bit in ESR |
| *OPC? | Return a "1" when operation complete |
| *OPT? | Return option number |
| *PSC <bool> | Power-on status clear state set/reset |
| *PSC? | Return power-on status clear state |
| *RCL <n> | Recall instrument state |
| *RST | Reset |
| *SAV <n> | Save instrument state |
| *SRE <n> | Set service request enable register |
| *SRE? | Return service request enable register |
| *STB? | Return status byte |
| *TRG | Trigger |
| *TST? | Perform selftest, then return result |
| *WAI | Hold off bus until all device commands done |

***CLS**

This command clears the following registers (see Chapter 4 under “Programming the Status Registers” for descriptions of all registers):

- ◆ Standard Event Status
- ◆ Operation Status Event
- ◆ Questionable Status Event
- ◆ Status Byte
- ◆ Error Queue

Command Syntax *CLS
Parameters None

***ESE**

This command programs the Standard Event Status Enable register bits. The programming determines which events of the Standard Event Status Event register (see *ESR?) are allowed to set the ESB (Event Summary Bit) of the Status Byte register. A "1" in the bit position enables the corresponding event. All of the enabled events of the Standard Event Status Event Register are logically ORed to cause the Event Summary Bit (ESB) of the Status Byte Register to be set. See Chapter 4 under “Programming the Status Registers” for descriptions of the Standard Event Status registers.

The query reads the Standard Event Status Enable register.

Bit Configuration of Standard Event Status Enable Register

| | | | | | | | | |
|--------------|-----------------|----------|-----|-----|------------------------|-----|----------|-----|
| Bit Position | 7 | 6 | 5 | 4 | 3 | 2 | 1 | 0 |
| Bit Name | PON | not used | CME | EXE | DDE | QYE | not used | OPC |
| Bit Weight | 128 | | 32 | 16 | 8 | 4 | | 1 |
| PON | Power-on | | | DDE | Device-dependent error | | | |
| CME | Command error | | | QYE | Query error | | | |
| EXE | Execution error | | | OPC | Operation complete | | | |

Command Syntax *ESE <NRf>
Parameters 0 to 255
Power-On Value see *PSC
Examples *ESE 129
Query Syntax *ESE?
Returned Parameters <NR1>
Related Commands *ESR? *PSC *STB?

***ESR?**

This query reads the Standard Event Status Event register. Reading the register clears it. The bit configuration of this register is the same as the Standard Event Status Enable register (see *ESE). See Chapter 4 under “Programming the Status Registers” for a detailed explanation of this register.

Query Syntax *ESE?
Parameters None
Returned Parameters <NR1> (register value)
Related Commands *CLS *ESE *ESE? *OPC

***IDN?**

This query requests the ac source to identify itself. It returns the data in four fields separated by commas.

| | | | |
|----------------------------|---|----------------------|--------------------|
| Query Syntax | *ESE? | | |
| Parameters | None | | |
| Returned Parameters | <AARD> | Field | Information |
| | | Agilent Technologies | manufacturer |
| | | xxxxA | model number |
| | | nnnnA-nnnnn | serial number or 0 |
| | | <R>.xx.xx | firmware revision |
| Example | Agilent Technologies, 6812B, 0, A.00.01 | | |

***OPC**

This command causes the interface to set the OPC bit (bit 0) of the Standard Event Status register when the has completed all pending operations. (see *ESE for the bit configuration of the Standard Event Status registers.) Pending operations are complete when:

- ◆ all commands sent before *OPC have been executed. This includes overlapped commands. Most commands are sequential and are completed before the next command is executed. Overlapped commands are executed in parallel with other commands. Commands that affect output voltage or state, relays, and trigger actions are overlapped with subsequent commands sent to the ac source. The *OPC command provides notification that all overlapped commands have been completed.
- ◆ all triggered actions are completed and the trigger system returns to the Idle state.

*OPC does not prevent processing of subsequent commands but Bit 0 will not be set until all pending operations are completed. The query causes the interface to place an ASCII "1" in the Output Queue when all pending operations are completed.

Command Syntax *OPC
Parameters None
Query Syntax *OPC?
Returned Parameters <NR1>
Related Commands *TRIG *WAI

3 - Language Dictionary

***OPT?**

This query requests the ac source to identify any options that are installed. Options are identified by number. A 0 indicates no options are installed.

Query Syntax *OPT?
Returned Parameters <AARD>

***PSC**

This command controls the automatic clearing at power-on of the Service Request Enable and the Standard Event Status enable registers as follows (see Chapter 4 under “Programming the Status Registers” for register details):

- 1 or ON** Prevents the register contents from being saved, causing them to be cleared at power-on. This prevents a PON event from clearing SRQ at power-on.
- 0 or OFF** Saves the contents of the Service Request Enable and the Standard Event Status enable registers in non-volatile memory and recalls them at power-on. This allows a PON event to generate SRQ at power-on.

The query returns the current state of *PSC.

Command Syntax *PSC <Bool>
Parameters 0 | 1 | OFF | ON
Example *PSC 0 *PSC 1
Query Syntax *PSC?
Returned Parameters 0 | 1
Related Commands *ESE *SRE

***RCL**

WARNING: Recalling a previously stored state may place hazardous voltages at the ac source output.

This command restores the ac source to a state that was previously stored in memory with a *SAV command to the specified location. All states are recalled with the following exceptions:

- ◆ CAL:STATe is set to OFF
- ◆ the trigger system is set to the Idle state by an implied ABORt command (this cancels any uncompleted trigger actions)

NOTE: The device state stored in location 0 is automatically recalled at power turn-on when the OUTPut:PON:STATE is set to RCL0.

Command Syntax *RCL <NRf>
Parameters 0 to 15
Example *RCL 3
Related Commands *PSC *RST *SAV

***RST**

This command resets the to the following factory-defined states:

| | | | |
|-----------------------|-------------------------------|----------------------------|----------------------------------|
| CAL:STAT | OFF | [SOUR:]FUNC | SIN |
| DISP:STAT | ON | [SOUR:]FUNC:CSIN | 100% |
| DISP:MODE | TEXT | [SOUR:]LIST:COUN | 1 |
| INIT:CONT | OFF | [SOUR:]LIST:STEP | AUTO |
| INST:COUP | ALL | [SOUR:]PHAS | $\phi 1=0 \phi 2=240 \phi 3=120$ |
| INST:NSEL | 1 | [SOUR:]PHAS:TRIG | $\phi 1=0 \phi 2=240 \phi 3=120$ |
| OUTP | OFF | [SOUR:]PHAS:MODE | FIX |
| OUTP:COUP | AC | [SOUR:]PULS:COUN | 1 |
| OUTP:DFI | OFF | [SOUR:]PULS:DCYC | 50% |
| OUTP:DFI:SOUR | OFF | [SOUR:]PULS:HOLD | WIDT |
| OUTP:IMP | OFF | [SOUR:]PULS:PER | 1 |
| OUTP:IMP:REAL | 0 | [SOUR:]PULS:WIDT | 0.01667s |
| OUTP:IMP:REAC | 0 | [SOUR:]VOLT | 1 |
| OUTP:PROT:DEL | 100ms | [SOUR:]VOLT:TRIG | 1 |
| OUTP:RI:MODE | OFF | [SOUR:]VOLT:MODE | FIX |
| OUTP:TTLT | OFF | [SOUR:]VOLT:OFFS | 0 |
| OUTP:TTLT:SOUR | BOT | [SOUR:]VOLT:OFFS:MODE | FIX |
| SENS:CURR:ACDC:RANG | MAX | [SOUR:]VOLT:OFFS:TRIG | 0 |
| SENS:SWE:OFFS:POIN | 0 | [SOUR:]VOLT:OFFS:SLEW | INF |
| SENS:SWE:TINT | 25 μ s | [SOUR:]VOLT:OFFS:SLEW:MODE | FIX |
| SENS:WIND | KBESsel | [SOUR:]VOLT:OFFS:SLEW:TRIG | INF |
| [SOUR:]CURR | MAX / 1A ¹ | [SOUR:]VOLT:PROT | MAX |
| [SOUR:]CURR:PEAK | 6.5A / 13A / 26A ² | [SOUR:]VOLT:PROT:STAT | OFF |
| [SOUR:]CURR:PEAK:TRIG | 6.5A / 13A / 26A ² | [SOUR:]VOLT:RANG | MAX |
| [SOUR:]CURR:PEAK:MODE | FIX | [SOUR:]VOLT:SENS:DET | RTIME |
| [SOUR:]CURR:PROT:STAT | OFF | [SOUR:]VOLT:SENS:SOUR | INT |
| [SOUR:]FREQ | 60Hz | [SOUR:]VOLT:SLEW | INF |
| [SOUR:]FREQ:MODE | FIX | [SOUR:]VOLT:SLEW:MODE | FIX |
| [SOUR:]FREQ:SLEW | INF | [SOUR:]VOLT:SLEW:TRIG | INF |
| [SOUR:]FREQ:SLEW:MODE | FIX | TRIG:DEL | 0 |
| [SOUR:]FREQ:SLEW:TRIG | INF | TRIG:SOUR | BUS |
| [SOUR:]FREQ:TRIG | 60Hz | TRIG:SEQ2:SOUR | IMM |
| [SOUR:]FUNC:MODE | FIX | TRIG:SEQ2:PHAS | 0 |
| [SOUR:]FUNC:TRIG | SIN | TRIG:SEQ3:SOUR | BUS |

¹Max for Agilent 6811B/6812B/6813B; 1A for Agilent 6814B/6834B/6843A

²6.5A for Agilent 6811B; 13A for Agilent 6812B; 26A for Agilent 6813B

-
- NOTE:**
- ◆ *RST does not clear any of the status registers or the error queue, and does not affect any interface error conditions.
 - ◆ *RST does not affect the data in any of the lists.
 - ◆ *RST sets the trigger system to the Idle state.
-

Command Syntax *RST
Parameters None
Related Commands *PSC *SAV

***SAV**

This command stores the present state of the ac source to a specified location in memory. Up to 16 states can be stored in nonvolatile memory. If a particular state is desired at power-on, it should be stored in location 0. It then will be recalled at power-on if the OUTPUT:PON:STATE command is set to RCL0. Use *RCL to retrieve instrument states.

Note that List data cannot be saved in state storage. Only **one** list is saved in non-volatile memory.

| | |
|-------------------------|----------------|
| Command Syntax | *SAV <NRf> |
| Parameters | 0 to 15 |
| Example | *SAV 3 |
| Related Commands | *PSC *RST *RCL |

***SRE**

This command sets the condition of the Service Request Enable Register. This register determines which bits from the Status Byte Register (see *STB for its bit configuration) are allowed to set the Master Status Summary (MSS) bit and the Request for Service (RQS) summary bit. A 1 in any Service Request Enable Register bit position enables the corresponding Status Byte Register bit and all such enabled bits then are logically ORed to cause Bit 6 of the Status Byte Register to be set. See Chapter 4 under "Programming the Status Registers" for more details concerning this process.

When the controller conducts a serial poll in response to SRQ, the RQS bit is cleared, but the MSS bit is not. When *SRE is cleared (by programming it with 0), the cannot generate an SRQ to the controller.

| | |
|----------------------------|-------------------------------|
| Command Syntax | *SRE <NRf> |
| Parameters | 0 to 255 |
| Default Value | see *PSC |
| Example | *SRE 128 |
| Query Syntax | *SRE? |
| Returned Parameters | <NR1> (register binary value) |
| Related Commands | *ESE *ESR *PSC |

***STB?**

This query reads the Status Byte register, which contains the status summary bits and the Output Queue MAV bit. Reading the Status Byte register does not clear it. The input summary bits are cleared when the appropriate event registers are read (see Chapter 4 under "Programming the Status Registers" for more information). A serial poll also returns the value of the Status Byte register, except that bit 6 returns Request for Service (RQS) instead of Master Status Summary (MSS). A serial poll clears RQS, but not MSS. When MSS is set, it indicates that the has one or more reasons for requesting service.

Bit Configuration of Status Byte Register

| Bit Position | 7 | 6 | 5 | 4 | 3 | 2-0 |
|--------------|-----------------------------|------------|-----|-----------------------|------|----------|
| Bit Name | OPER | MSS RQS | ESB | MAV | QUES | not used |
| Bit Weight | 128 | 64 | 32 | 16 | 8 | |
| OPER | operation status summary | | MSS | master status summary | | |
| ESB | event status byte summary | | RQS | request for service | | |
| QUES | questionable status summary | | MAV | message available | | |

Query Syntax *STB?
Parameters None
Returned Parameters <NR1> (register value)
Related Commands *SRE *ESR *ESE

***TRG**

This command generates a trigger to any subsystem that has BUS selected as its source (for example, TRIG:SOUR BUS). The command has the same affect as the Group Execute Trigger (<GET>) command.

Command Syntax *TRG
Parameters None
Related Commands ABOR INIT TRIG:IMM

***TST?**

This query causes the ac source to do a self-test and report any errors.

Query Syntax TST?
Parameters None
Returned Parameters <NR1> 0 indicates the ac source has passed selftest.
 Non-zero indicates an error code (see appendix C)

3 - Language Dictionary

***WAI**

This command instructs the ac source not to process any further commands until all pending operations are completed. Pending operations are complete when:

- ◆ All commands sent before *WAI have been executed. This includes overlapped commands. Most commands are sequential and are completed before the next command is executed. Overlapped commands are executed in parallel with other commands. Commands that affect output voltage or state, relays, and trigger actions are overlapped with subsequent commands sent to the . The *WAI command prevents subsequent commands from being executed before any overlapped commands have been completed.
- ◆ All triggered actions are completed and the trigger system returns to the Idle state.

*WAI can be aborted only by sending the a GPIB DCL (Device Clear) command.

| | |
|-------------------------|------|
| Command Syntax | WAI? |
| Parameters | None |
| Related Commands | *OPC |

Programming Examples

Introduction

This chapter contains examples on how to program your ac source. Simple examples show you how to program:

- ◆ output functions such as voltage, frequency, and phase
- ◆ the transient waveform generator
- ◆ internal and external triggers
- ◆ measurement functions
- ◆ user-defined waveforms
- ◆ the status and protection functions

NOTE: These examples in this chapter are generic SCPI commands. See Chapter 2 for information about encoding the commands as language strings. Where appropriate, optional commands are shown for clarity in the examples.

Programming the Output

Power-on Initialization

When the ac source is first turned on, it wakes up with the output state set OFF. In this state the output voltage is set to 0. The following commands are given implicitly at power-on:

```
*RST
*CLS
STATus:PRESet
*SRE 0
*ESE 0
```

*RST is a convenient way to program all parameters to a known state. Refer to the *RST command in Chapter 3 to see how each programmable parameter is set by *RST. Refer to the *PSC command in Chapter 3 for more information on the power-on initialization of the *ESE and the *SRE registers.

Enabling the Output

To enable the output, use the command:

```
OUTPut ON
```

AC Voltage and Frequency

The ac rms output voltage is controlled with the VOLTage command. For example, to set the ac output voltage to 125 volts rms, use:

```
VOLTage 125
```

NOTE: In the three-phase model, all phases are programmed to 125 volts rms because the INSTRument:COUPlE at *RST is set to ALL.

The ac source can be programmed to turn off its output if the ac output voltage exceeds a preset peak voltage limit. This protection feature is implemented with the VOLTage:PROTEction command as explained in Chapter 3.

Maximum Voltage

The maximum rms output voltage that can be programmed can be queried with:

```
VOLTage? MAX
```

The maximum voltage that the ac source can output is limited by the peak value of the waveform. This is 425 V peak on all models. Since the user programs output voltage in units of rms volts, the maximum value that can be programmed is dependent on the peak-to-rms ratio (crest factor) of the selected waveform. For a sine waveform, the maximum ac voltage that can be programmed is 300 volts.

For Agilent models 6814B, 6834B and 6843A, you cannot program a voltage that produces a higher volt-second on the output than a 300 Vrms sinewave.

NOTE: Because voltage commands are coupled with the waveform shape and voltage offset commands, changing voltages without changing the waveform shape or voltage offset may result in an error if the resulting peak voltage amplitude exceeds the maximum voltage rating of the ac source. Refer to "Coupled Commands" for more information.

Voltage Ranges (Agilent 6814B/6834B/6843A only)

The Agilent 6814B, 6834B and 6843A have two voltage ranges that are controlled by a relay that switches taps on an output transformer. The command that controls the range is:

```
VOLTage:RANGe MIN | MAX | 150 | 300
```

When the range is set to MIN (or 150), the maximum rms voltage that can be programmed for a sine waveshape is 150 volts, but it is only on this range that the maximum output current rating is available. For other waveshapes, the maximum programmable voltage may be different, depending on the waveform's voltage crest factor (peak-to-rms ratio).

NOTE: On the Agilent 6814B, 6834B and 6843A, the VOLTage:RANGe command is coupled with the CURRent command. This means that the maximum current limit that can be programmed at a given time depends on the voltage range setting in which the unit is presently operating. Refer to "Coupled Commands" for more information.

Frequency

The output frequency is controlled with the FREQUENCY command. To set the output frequency to 50 Hz, use:

```
FREQUENCY 50
```

Voltage and Frequency Slew Rates

Voltage Slew

The ac source has the ability to control the slew rate of ac amplitude changes. This can be used to generate ramps or to protect sensitive loads. To set the voltage slew rate to 20 volts per second, use:

```
VOLTAGE:SLEW 20
```

At *RST the slew rate is set to INFINITY, which means that ac voltage changes occur at the fastest possible slew rate. The slew rate applies to programmed changes in ac output amplitude while the unit is operating in fixed mode. Amplitude changes made by the step, pulse, and list transients are controlled by the same rules that apply to all other functions that are subject to transient control. See "Programming Transient Outputs".

NOTE: Output voltage changes caused by the OUTPUT:STATE or VOLTAGE:OFFSET commands, by a protection feature disabling the output, or as a result of load changes are not subject to this slew rate control.

Frequency Slew

The ac source also has the ability to control the slew rate of frequency changes. To set the frequency slew rate to 30 Hz per second, use:

```
FREQUENCY:SLEW 30
```

At *RST the slew rate is set to INFINITY, which means that frequency changes occur instantaneously. The frequency slew rate applies to programmed changes in frequency while the unit is operating in fixed mode. Frequency changes made by the step, pulse, and list transients are controlled by the same rules that apply to all other functions that are subject to transient control. See "Programming Transient Outputs".

Waveform Shapes

At *RST, the ac source supplies a sine waveform, but other shapes can be selected. There are built-in tables for sine, square and clipped sine waveforms. In addition, the user can define arbitrary waveshapes by creating a 1024 point table of amplitudes for a single cycle.

As shown in the following examples, the FUNCTION[:SHAPE] command selects the output waveform.

Square Waveform

To select the square output waveform, use:

```
FUNCTION:SHAPE SQUARE
```

4 - Programming Examples

Clipped Waveform

To select a clipped sine waveform use:

```
FUNCTION:SHAPE CSINusoid
```

To set the clipping level to 50%, use:

```
FUNCTION:SHAPE:CSINusoid 50
```

The clipping level is the percentage of the peak amplitude at which clipping occurs.

The clipping level can also be specified in terms of the percent total harmonic distortion in the clipped sine waveform by adding a THD suffix to the command. For example,

```
FUNCTION:SHAPE:CSINusoid 10 THD
```

sets the clipping level so that the clipped sine has 10% distortion.

User-Defined Waveform

To create a user-defined waveform, use TRACE:DEFine command to create a name for the waveform, then use the TRACE[:DATA] command to send the list of 1024 amplitude points. The waveform can then be selected using the FUNCTION command. For example, a waveform named "Distortion" can be created with:

```
TRACE:DEFine DISTORTION  
TRACE:DATA DISTORTION, n1, n2, n3, ..., n1024
```

where n1 ... n1024 are the data points that define the relative amplitudes of exactly one cycle of the waveform. The first data point defines the amplitude that will be output at 0 degrees phase reference.

Data points can be in any arbitrary units. The ac source scales the data to an internal format that removes the dc component and ensures that the correct ac rms voltage is output when the waveform is selected. When queried, trace data is returned as normalized values in the range of 1. Waveform data is stored in nonvolatile memory and is retained when input power is removed. Up to 12 user defined waveforms may be created and stored.

NOTE: Because waveform shape commands are coupled with the voltage commands, changing waveforms without changing the programmed voltage may result in an error if the resulting peak voltage amplitude exceeds the maximum voltage rating of the ac source. Refer to "Coupled Commands" for more information.

Individual Phases (Agilent 6834B only)

In the Agilent 6834B model, the following functions can be controlled separately in each phase:

```
VOLTage  
CURRent  
PHASe  
MEASure  
FETCh  
CALibrate
```

Selecting a Phase

Two commands determine which output phase or phases receive commands in the three-phase model. These are:

```
INSTRument:COUPle ALL | NONE
INSTRument:NSElect <n>
```

The *RST setting for INSTRument:COUPle is ALL. This setting causes programming commands to be sent to all output phases simultaneously.

To send a programming command to only one of the output phases, set INSTRument:COUPle to NONE, then select the desired output to receive the command with INSTRument:NSElect. For example, when the commands

```
INSTRument:COUPle NONE
INSTRument:NSElect 2
```

are sent, all subsequent voltage commands will go to output phase 2, and all measurement queries will return readings from output phase 2.

NOTE: The INSTRument:COUPle command has no effect on queries. In the Agilent 6834B three-phase model, queries are always directed to the output selected by INSTRument:NSElect.

Programming the Output Phase

You can control the phase of the ac voltage waveform relative to an internal reference with:

```
PHASe <n>
```

which sets the phase in degrees. If <n> is positive, the voltage waveform leads the internal reference.

In the Agilent 6834B three-phase model, the PHASe command sets the relative phase of each of the outputs. The INSTRument:COUPle setting is ignored by the PHASe command -- it always controls the output selected by INSTRument:NSElect.

In the single-phase models, the only discernible effect of using the PHASe command is to cause an instantaneous shift in output waveform phase. This is because the internal phase reference is not accessible externally.

Current Limit

All ac source models have a programmable rms current limit function. The command to set this limit is:

```
CURRent <n>
```

where <n> is the rms current limit in amperes.

If the load attempts to draw more current than the programmed limit, the output voltage is reduced to keep the rms current within the limit. Since the rms detection involves a filter time constant that is long compared to a single output cycle, the response time of the rms current limit is not instantaneous. When the output voltage is reduced, its waveform is preserved (the output waveform is attenuated, not clipped).

4 - Programming Examples

The ac source can be programmed to turn off its output if the rms current limit is reached. This protection feature is implemented with the CURRent:PROTEction:STATe command as explained in Chapter 3.

NOTE: On the Agilent 6814B, 6834B and 6843A, the CURRent command is coupled with the VOLTage:RANGe. This means that the maximum current limit that can be programmed at a given time depends on the voltage range setting in which the unit is presently operating. Refer to "Coupled Commands" for more information.

Peak Current Limit (Agilent 6811B/6812B/6813B only)

The Agilent 6811B, 6812B, and 6813B have a programmable peak current limit which limits the instantaneous current. The command to set this limit is:

```
CURRent:PEAK <n>
```

where <n> is the peak current in amperes.

Since instantaneous current tends to be highest when the output voltage is highest, this current limit tends to clip the peaks of the output voltage waveform.

DC Output (Agilent 6811B/6812B/6813B only)

The Agilent 6811B, 6812B, and 6813B single-phase models have dc output capability which lets you independently control the dc and ac components of the output voltage. At *RST, these models default to the ac output mode. When dc offset is desired, this mode must be changed using the OUTPut:COUPling command.

To enable the dc output, use:

```
OUTPut:COUPling DC
```

To set the dc output voltage to 5 volts, use:

```
VOLTage:OFFSet 5
```

When the command

```
OUTPut:COUPling AC
```

is sent, the ac source regulates the dc output voltage to 0, regardless of any programmed voltage offset.

NOTE: Because the voltage offset commands are coupled with the voltage commands, the dc output voltage will affect the maximum output voltage and vice-versa. When the dc output is non-zero, the maximum ac voltage that can be programmed is reduced to a value that limits the total ac + dc peak amplitude to 425 V. Similarly, when the ac output is non-zero the maximum dc offset that can be programmed is subject to the same limitation. Refer to "Coupled Commands" for more information.

Coupled Commands

This section describes how to avoid programming errors that may be caused because of the error checking done for coupled commands.

VOLTage:LEVel, VOLTage:OFFSet, and FUNCTion:SHAPE

When using these commands, assume the present state of the ac source has ac amplitude set to 240 volts rms and dc offset set to 0, and a new state is desired with ac amplitude of 0 and dc offset of 300 volts. If the commands

```
VOLTage:OFFSet 300
VOLTage 0
```

are sent individually, an error will be generated because the first command requests an output state that exceeds the peak voltage capability. The error can be avoided by reversing the order in which the commands are sent.

Another way to avoid this type of error with coupled commands is to give the commands together as part of one terminated message as in

```
VOLTage:OFFSet 300;:VOLTage 0
```

When coupled commands are sent this way, the couplings are deferred and resolved when the newline terminator is received.

Other commands that are coupled to the VOLTage, VOLTage:OFFSet, and SHAPE commands are the output transient commands that control step, pulse and list generation. When an output transient is initiated (ready to receive a trigger), the error checking that takes place for maximum peak output voltage includes any combination of voltage, voltage offset, or function shape that can occur during the transient.

CURRent:LEVel and VOLTage:RANGe (Agilent 6814B/6834B/6843A only)

Programming the current limit by itself to a value that is greater than the maximum allowed on the presently programmed voltage range causes an error. If the commands

```
VOLTage:RANGe 300
CURRent 10
```

are sent, an error will be generated because the CURRent command is requesting a current limit that is outside the maximum value allowed on that voltage range.

Programming the VOLTage:RANGe by itself causes the programmed current limit to be set to the maximum for the given range if it had previously been higher than the maximum setting for the new range. If the commands

```
VOLTage:RANGe 150
CURRent 10
VOLTage:RANGe 300
```

are sent, no error will be generated because the second VOLTage:RANGe command automatically sets the programmed current limit to 5, which is the maximum value for the programmed voltage range.

4 - Programming Examples

Programming both the current and the voltage range in one program message unit can be done in any order and will not cause an error if the final combination specifies a valid current limit for the indicated range. If the commands

```
VOLTage:RANGe 300  
CURRent 10;:VOLTage:RANGe 150
```

are sent, no error will be generated because the combined current limit and voltage range specified on the second line are within the output ratings of the above models.

Programming Output Transients

Output transients are used to:

- ◆ Synchronize output changes with a particular phase of the voltage waveform.
- ◆ Synchronize output changes with internal or external trigger signals.
- ◆ Simulate surge, sag, and dropout conditions with precise control of duration and phase.
- ◆ Create complex, multi-level sequences of output changes.
- ◆ Create output changes that have rapid or precise timing requirements.

The following ac source functions are subject to transient control:

AC output voltage
Frequency
Phase
Waveform shape
AC voltage slew rate
Frequency slew rate
DC output voltage (Agilent 6811B/6812B/6813B only)
Peak current limit (Agilent 6811B/6812B/6813B only)

The following transient modes can be generated:

| | |
|--------------|--|
| STEP | Generates a single triggered output change. |
| PULSe | Generates an output change which returns to its original state after some time period. |
| LIST | Generates a sequence of output changes, each with an associated dwell time or paced by triggers. |
| FIXed | Turns off the transient functions, which means that only the IMMEDIATE values are used as the data source for a particular function. |

NOTE: At *RST all functions are set to FIXed, which turns off the transient functions.

Transient System Model

Figure 4-1 is a model of the transient system. The figure shows the transient modes and the source of the data that generates each mode.

When a trigger is received in step or pulse modes, the triggered functions are set from their IMMEDIATE to their TRIGGERED value. In Step mode, the triggered value becomes the immediate value. In Pulse mode, the functions return to their immediate value during the low portion of the pulse. If there are no further pulses, the immediate value remains in effect. In List mode, the functions return to their immediate value at the completion of the list.

You can mix FIXED, STEP, PULSE, and LIST modes among most functions. When a trigger is received, each function will react in a manner defined by its mode. However, this is subject to the following limitation to ensure the proper output voltage in all cases:

NOTE: The ac voltage, waveform shape, and voltage slew functions cannot be set to Step or Pulse mode if one of them is set to List mode.

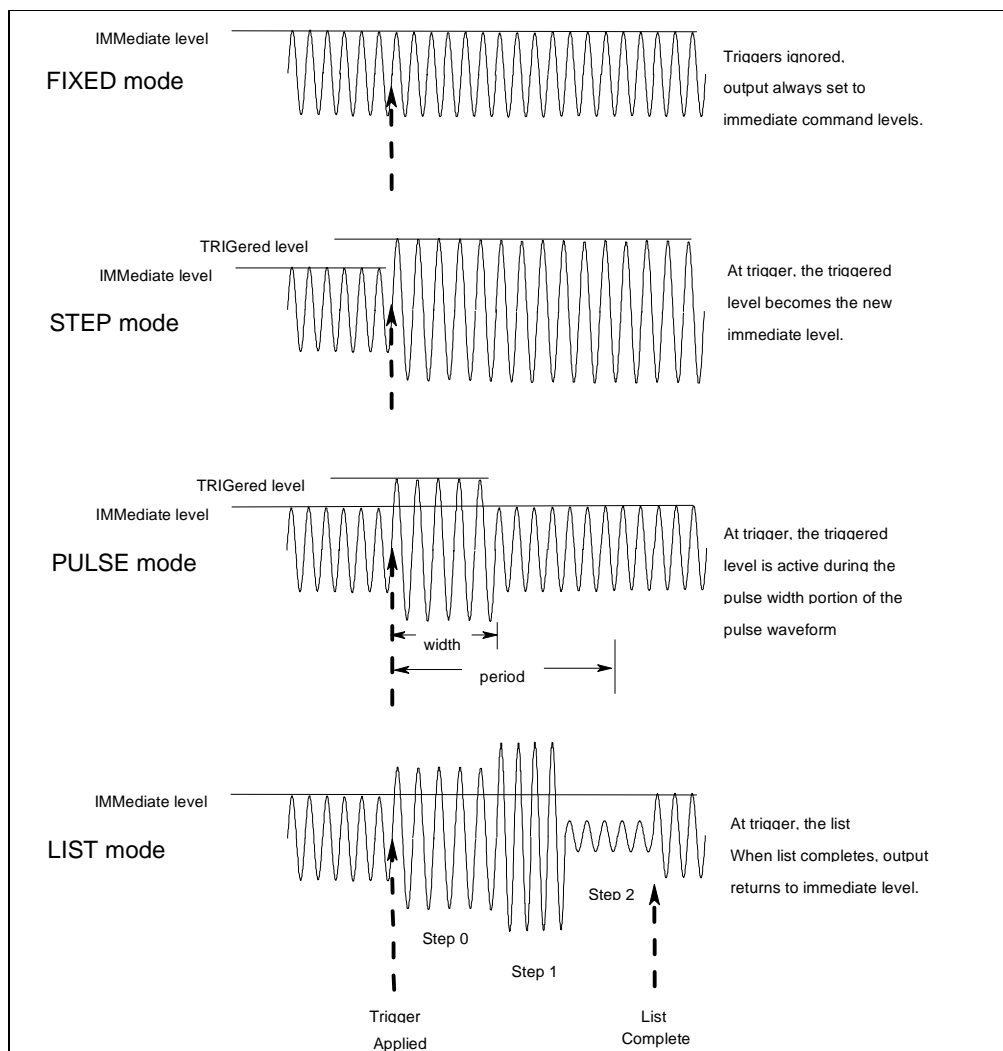


Figure 4-1. Model of Transient System

4 - Programming Examples

Step and Pulse Transients

Step 1 Set the functions that you do not want to generate transients to FIXEd mode. A convenient way to do this is with the *RST command. Then set the mode of the function that will generate the transient to STEP or PULSe as required. For example, to enable the voltage function to generate a single triggered output voltage change, use:

```
*RST
VOLTage:MODE STEP
```

Step 2 Set the triggered level of the function that will generate the transient. For example, if the previously programmed voltage function is going to step the output voltage amplitude to 150 volts upon receipt of a trigger, use:

```
VOLTage:TRIGger 150
```

Step 3 Select the trigger source that will generate the trigger. For example, to select the external Trigger In BNC connector as the trigger source, use:

```
TRIGger:TRANSient:SOURce EXTernal
```

Trigger sources are discussed in detail under "Triggering Output Changes".

Step 4 Only perform this step if you have selected PULSE as the transient mode in Step 1. Specify the pulse count, the pulse period, and then either the duty cycle or the pulse width using the following commands:

```
PULSe:COUNT 1    specifies 1 output pulse
PULSe:PERiod 1    specifies a pulse period of 1 second
PULSe:DCYCLE 50   specifies a duty cycle of 50%
PULSe:WIDTh .5    specifies a pulse width of .5 seconds (not necessary in this
                  case, since a duty cycle has already been specified)
```

Step 5 Initiate the transient trigger system to enable it to receive a trigger. To enable the trigger system for one transient event use:

```
INITiate:IMMediate:SEQuence1
```

To enable the transient system indefinitely use:

```
INITiate:CONTinuous:SEQuence1 ON
```

Step 6 Trigger the transient. This is described in detail under "Triggering Output Changes".

Example

The following example programs a voltage dropout for 2 cycles of a 120 volt, 60 Hz output. The dropout begins at the positive peak of the output voltage waveform (90 degrees phase) and is triggered by GPIB bus trigger.

```
*RST          Begin at power-on state
VOLT 120      Set initial output voltage (immediate-level)
FREQ 60       Set initial output frequency
OUTP ON       Enable the output
VOLT:MODE PULS  Enable output to generate pulses when triggered
VOLT:TRIG 0   Set the voltage dropout (triggered level)
PULS:WIDT .03333 Set pulse width for 2 periods
TRIG:SOUR BUS Respond to GPIB bus triggers
TRIG:SYNC:SOUR PHAS Synchronize triggers to internal phase reference
TRIG:SYNC:PHAS 90 Sets internal phase reference point to 90 degrees
INIT:SEQ1     Set to Wait-for-trigger state
<device trigger> Send the GPIB bus trigger
```

List Transients

List mode lets you generate complex sequences of output changes with rapid, precise timing, which may be synchronized with internal or external signals. Each function that can participate in output transients can also have an associated list of values that specify its output at each list point.

You can program up to 100 settings (or points) in the list, the time interval (dwell) that each setting is maintained, the number of times that the list will be executed, and how the settings change in response to triggers. All list point data is stored in nonvolatile memory. This means that the programmed data for any list function will be retained when the ac source is turned off.

Lists are paced by a separate list of dwell times which define the duration of each output setting. Therefore, each of the up to 100 list points has an associated dwell time, which specifies the time (in seconds) that the output remain at that setting before moving on to the next setting.

The following procedure shows how to generate a simple list of voltage and frequency changes.

Step 1 Set the mode of each function that will participate in the output sequence to LIST. For example:

```
VOLTage:MODE LIST
FREQuency:MODE LIST
```

Step 2 Program the list of output values for each function. The list commands take a comma-separated list of arguments. The order in which the arguments are given determines the sequence in which the values will be output. For example, to cycle the voltage through a sequence that includes nominal line, high line, and low line, a list may include the following values:

```
LIST:VOLTage 120, 132, 108, 120, 132, 108, 120, 132, 108
```

You can specify lists for more than one function. For example, to synchronize the previous voltage list with another list that varies the output frequency from nominal, to high, to low, the lists may include the following values:

```
LIST:VOLTage 120, 132, 108, 120, 132, 108, 120, 132, 108
LIST:FREQuency 60, 60, 60, 63, 63, 63, 57, 57, 57
```

All lists must have the same number of data values or points, or an error will occur when the transient system that starts the sequence is later initiated. The exception is when a list has only one item or point. In this case the single-item list is treated as if it had the same number of points as the other lists, with all values being equal to the one item. For example:

```
LIST:VOLTage 120, 130, 140, 150;FREQuency 60
```

is the same as:

```
LIST:VOLTage 120, 130, 140, 150
LIST:FREQuency 60, 60, 60, 60
```

Step 3 Determine the time interval that the output remains at each level or point in the list before it advances to the next point. The time is specified in seconds. For example, to specify five dwell intervals, use:

```
LIST:DWELL 1, 1.5, 2, 2.5, 3
```

The number of dwell points must equal the number of output points. If a dwell list has only one value, that value will be applied to all points in the output list.

4 - Programming Examples

Step 4 Determine the number of times the list is repeated before it completes. For example, to repeat a list 10 times use:

```
LIST:COUNT 10
```

Entering INFINITY makes the list repeat indefinitely. At *RST, the count is set to 1.

Step 5 Determines how the list sequencing responds to triggers. For a closely controlled sequence of output levels, you can use a dwell-paced list. To cause the list to be paced by dwell time use:

```
LIST:STEP AUTO
```

As each dwell time elapses, the next point is immediately output. This is the *RST setting.

If you need the output to closely follow asynchronous events, then a trigger-paced list is more appropriate. In a trigger-paced list, the list advances one point for each trigger received. To enable trigger-paced lists use:

```
LIST:STEP ONCE
```

The dwell time associated with each point determines the minimum time that the output remains at that point. If a trigger is received before the previous dwell time completes, the trigger is ignored. Therefore, to ensure that no triggers are lost, program the dwell time to zero.

Step 6 Use the transient trigger system to trigger the list. This is described in detail under "Triggering Output Changes".

Triggering Output Changes

The ac source has two independent trigger systems. One is used for generating output changes, and the other is used for triggering measurements. This section describes the output trigger system. The measurement trigger system is described under "Triggering Measurements".

The basic components of both systems are the same, but the transient trigger system has additional delay and phase synchronization features that the measurement trigger system does not have. The following transient trigger sources can be selected:

IMMEDIATE generates a trigger when the trigger system is initiated.
BUS selects GPIB bus triggers.
EXTERNAL selects the external Trigger In BNC connector.

SCPI Triggering Nomenclature

In SCPI terms, trigger systems are called sequences. When more than one trigger system exists, they are differentiated by naming them SEQUENCE1, SEQUENCE2, ... etc. In the ac source, SEQUENCE1 is the transient trigger system, SEQUENCE2 is the phase synchronization trigger system, and SEQUENCE3 is the measurement trigger system.

The ac source uses aliases with more descriptive names for these sequences. These aliases can be used instead of the sequence forms.

| Sequence Form | Alias |
|---------------|-------------|
| SEQUENCE1 | TRANSient |
| SEQUENCE2 | SYNChronize |
| SEQUENCE3 | ACQUIRE |

Output Trigger System Model

Figure 4-2 is a model of the output trigger system. The rectangular boxes represent states. The arrows show the transitions between states. These are labeled with the input or event that causes the transition to occur.

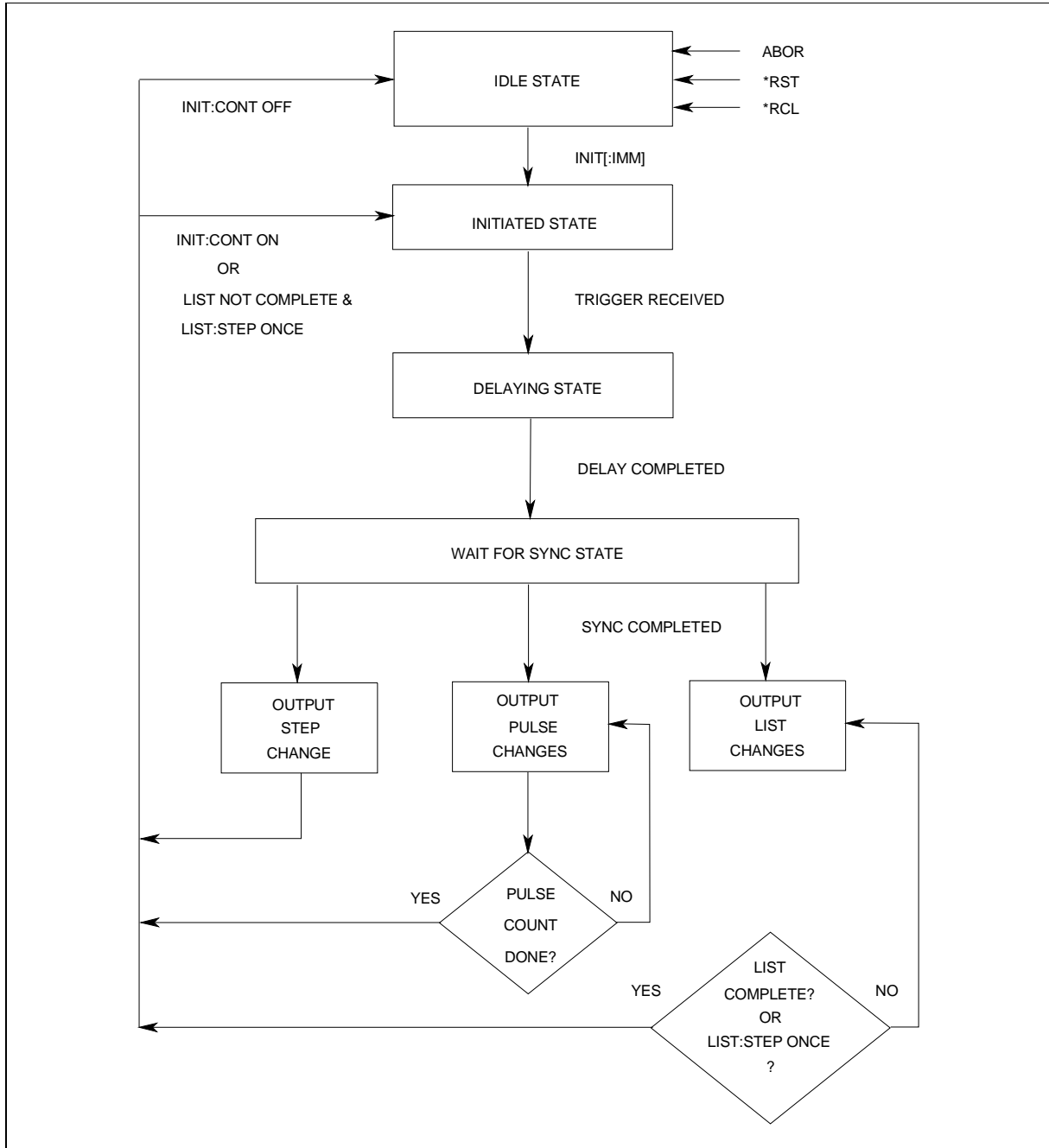


Figure 4-2. Model of Output Triggers

Initiating the Output Trigger System

When the ac source is turned on, the trigger system is in the idle state. In this state, the trigger system ignores all triggers. Sending the following commands at any time returns the trigger system to the Idle state:

```
ABORT *RST *RCL
```

The INITiate commands move the trigger system from the Idle state to the Initiated state. This enables the ac source to receive triggers. To initiate for a single triggered action, use:

```
INITiate:IMMediate:SEQuence1 OR  
INITiate:IMMediate:NAME TRANSient
```

After a trigger is received and the action completes, the trigger system will return to the Idle state. Thus it will be necessary to initiate the system each time a triggered action is desired.

To keep a trigger system initiated for multiple actions without having to send an initiate command for each trigger, use:

```
INITiate:CONTinuous:SEQuence1 ONor  
INITiate:CONTinuous:NAME TRANSient, ON
```

NOTE: The SEQuence2 (or SYNChronize) trigger sequence does not have an INITiate command. It is always initiated.

Selecting the Output Trigger Source

The trigger system is waiting for a trigger signal in the Initiated state. Before you generate a trigger, you must select a trigger source. To select the external Trigger In BNC as the source, use:

```
TRIGger:SEQuence1:SOURce EXTernal OR  
TRIGger:TRANSient:SOURce EXTernal
```

To select GPIB bus triggers (group execute trigger, device trigger, or *TRG command), use:

```
TRIGger:SEQuence1:SOURce BUS OR  
TRIGger:TRANSient:SOURce BUS
```

To select a trigger source that is always true, use:

```
TRIGger:SEQuence1:SOURce IMMEDIATE OR  
TRIGger:TRANSient:SOURce IMMEDIATE
```

NOTE: The immediate source can be combined with INITiate:CONTinuous:SEQuence1 ON to generate repetitive output transients.

A transition from the Initiated state to the Delay state is made when the trigger signal is received.

Specifying a Trigger Delay

A time delay can be programmed between the receipt of the trigger signal and the start of the output transient. At *RST the trigger delay is set to 0, which means that there is no delay. To program a delay, use:

```
TRIGger:SEQuence1:DELAy .01or
TRIGger:TRANsient:DELAy .01
```

which sets a delay time of 10 milliseconds.

NOTE: A trigger delay can only be programmed for SEQuence1 (or TRANsient) triggers.

When the programmed trigger delay has elapsed, the trigger system transitions from the Delay state to the Wait-for-sync state.

Synchronizing Output Changes to a Reference Phase Angle

An output transient normally occurs immediately when the trigger signal is received, or after the delay has expired if a trigger delay has been set. For some applications it is desirable that the transient is synchronized with a particular phase of the output waveform such as the zero crossing point or the positive peak.

To synchronize the start of a transient with a particular phase of the internal phase reference, you must select PHASE as the trigger source. Use:

```
TRIGger:SEQuence2:SOURce PHASeor
TRIGger:SYNChronize:SOURce PHASe
```

To select the desired phase, use:

```
TRIGger:SEQuence2:PHASe 90or
TRIGger:SYNChronize:PHASe 90
```

which specifies the 90 degree phase angle of the internal phase reference as the point where the transient begins.

To turn off transient phase synchronization, use:

```
TRIGger:SYNChronous:SOURce IMMEDIATE
```

When IMMEDIATE is selected, the trigger system transitions through the Delaying and Wait-for-sync states and goes directly to the Output state. This is the parameter selected at *RST.

Generating Output Triggers

Providing that you have specified the appropriate trigger source, you can generate triggers as follows:

Single Triggers

- ◆ By sending one of the following over the GPIB:
 - `TRIGger:IMMEDIATE`
 - `*TRG`
 - a group execute trigger
- ◆ By applying a signal with a high-to-low transition to the Trig In BNC connector.
- ◆ By pressing the front panel Trigger key when the unit is operating in local mode.

Continuous Triggers

- ◆ By sending the following commands over the GPIB:

```
TRIGger:SEQuence1:SOURce IMMEDIATE
INITiate:CONTInuous:SEQuence1 ON
```

When the trigger system enters the Output Change state upon receipt of a trigger (see figure 4-2), the triggered functions are set to their programmed trigger levels. When the triggered actions are completed, the trigger system returns to the Idle state.

Specifying a Dwell Time for Each List Point

Each voltage and current list point has an associated dwell time specified by:

```
LIST:DWELL <n> { , <n> }
```

where <n> specifies the dwell time in seconds. The number of dwell points must equal the number of output points. If a dwell list has only one value, that value will be applied to all points in the output list. After each new output level or point is programmed, the output remains at that point in the list for the programmed dwell interval before the list advances to the next point. Only an ABORt command can transfer the system out of the Dwelling state.

At the end of the dwell interval, the transition to the next state depends on whether or not the list has completed its sequencing and the state of the LIST:STEP command (see figure 4-2).

If the list is completed, the trigger system returns to the Idle state.

- ◆ If the list is not completed, then the system reacts as follows:
 - `LIST:STEP ONCE` programs the trigger system to return to the Initiated state to wait for the next trigger.
 - `LIST:STEP AUTO` programs the trigger system to immediately execute the next list point.

Making Measurements

The ac source has the capability to return a number of current, voltage, and power measurements. When the ac source is turned on, it is continuously sampling the instantaneous output voltage and current for several output cycles and writing the results into a buffer. The buffer holds 4096 voltage and current data points.

The ac source uses the data from the voltage and current buffer to calculate the requested measurement information. Data in the voltage and current buffers is always re-acquired for subsequent measurement requests. There are two ways to make measurements:

- ◆ Use the MEASure commands to immediately start acquiring new voltage and current data, and return measurement calculations from this data as soon as the buffer is full. This is the easiest way to make measurements, since it requires no explicit trigger programming.
- ◆ Use an acquisition trigger to acquire the voltage and current data from the buffer. Then use the FETCh commands to return calculations from the data that was retrieved by the acquisition trigger. This method gives you the flexibility to synchronize the data acquisition with an external signal. FETCh commands do not trigger the acquisition of new measurement data, but they can be used to return many different calculations from the data that was retrieved by the acquisition trigger.

Making triggered measurements with the acquisition trigger system is discussed under "Triggering Measurements".

NOTE: For each MEASure form of the query, there is a corresponding query that begins with the header FETCh. FETCh queries perform the same calculation as their MEASure counterparts, but do not cause new data to be acquired. Data acquired by an explicit trigger or a previously programmed MEASure command are used.

Voltage and Current Measurements

The SCPI interface provides a number of MEASure and FETCh queries that return various components of rms voltage and current. For example, to read the ac component of the rms voltage or current, use:

```
MEASure:VOLTage:AC?      or
MEASure:CURRent:AC?
```

To read the sum of ac and dc components of the rms voltage or current, use:

```
MEASure:VOLTage:ACDC?   or
MEASure:CURRent:ACDC?
```

To measure the dc voltage or current components, use:

```
MEASure:VOLTage:DC?     or
MEASure:CURRent:DC?
```

To measure the maximum current amplitude and the current crest factor, use:

```
MEASure:CURRent:AMPLitude:MAXimum?
MEASure:CURRent:CREStfactor?
```

4 - Programming Examples

Power Measurements

The MEASure and FETCh queries can return real, apparent, and reactive power measurements as well as dc power and power factor using the following commands:

| | |
|----------------------------|---|
| MEASure:POWer:AC:APParent? | measures the ac component of apparent power in VA |
| MEASure:POWer:AC:REACTive? | measures the reactive power |
| MEASure:POWer:AC:REAL? | measures the in-phase component of power in watts |
| MEASure:POWer:AC:PFACTOR? | returns the output power factor |
| MEASure:POWer:AC:TOTal? | measures the total real power being sourced |
| MEASure:POWer:DC? | measures the dc component of power |

Harmonic Measurements

The MEASure and FETCh queries can return the amplitude and phase of up to the 50th harmonic of voltage and current. They can also return the total harmonic distortion in the output voltage or current. For example, to return readings for an individual harmonic component, use the following commands:

| |
|---|
| MEASure:CURRent:HARMonic:AMPLitude? <harmonic_number> |
| MEASure:CURRent:HARMonic:PHASe? <harmonic_number> |
| MEASure:VOLTage:HARMonic:AMPLitude? <harmonic_number> |
| MEASure:VOLTage:HARMonic:PHASe? <harmonic_number> |

Harmonic numbers are related to the programmed frequency of output voltage. Queries sent with an argument of 0 return the dc component. An argument of 1 indicates the fundamental frequency, 2 indicates the second harmonic, 3 indicates the third, and so on. The maximum harmonic component that can be read is limited by the fundamental measurement bandwidth, which is 12.5kHz. An error is generated if a query is sent for a harmonic that has a frequency greater than 12.5kHz. To return all the harmonic components with a single query, use the following commands:

| |
|---|
| MEASure:ARRay:CURRent:HARMonic:AMPLitude? |
| MEASure:ARRay:CURRent:HARMonic:PHASe? |
| MEASure:ARRay:VOLTage:HARMonic:AMPLitude? |
| MEASure:ARRay:VOLTage:HARMonic:PHASe? |

These queries always return 51 data values, from the dc component up to the 50th harmonic. Any harmonics that represent frequencies greater than 12.5kHz are returned as the value 0. To return the percentage of total harmonic distortion in the output voltage or current, use the following commands:

| |
|-------------------------------|
| MEASure:CURRent:HARMonic:THD? |
| MEASure:VOLTage:HARMonic:THD? |

Simultaneous Output Phase Measurements (Agilent 6834B only)

You can return simultaneous measurements from all output phases of the three-phase ac source using the FETCh query. Unlike MEASure queries, FETCh queries do not trigger the acquisition of new data when they are executed.

You must first initiate the measurement trigger system and generate a measurement trigger as explained in the following section "Triggering Measurements". When the measurement data has been acquired by the voltage and current data buffers for each output phase, use INSTRument:NSElect to select each phase, and FETCh to return the specified measurement data. The following commands return rms voltage:

```

INSTRument:NSElect 1
FETCh:VOLTage:AC?
INSTRument:NSElect 2
FETCh:VOLTage:AC?
INSTRument:NSElect 3
FETCh:VOLTage:AC?

```

Returning Voltage and Current Data From the Data Buffer

The MEASure and FETCh queries can also return all 4096 data values of the instantaneous voltage and current buffers. These are:

```

MEASure:ARRay:CURRent?
MEASure:ARRay:VOLTage?

```

Regulatory-Compliant Measurement of Quasi-Stationary Harmonics

In order to meet regulatory requirements of IEC-555 and other standards that specify how quasi-stationary harmonics are to be measured, the ac source has a command that alters both the output frequency control and the harmonic measurement algorithms to meet these requirements. The command is

```

SENSe:WINDow KBESsel | RECTangular

```

Triggering Measurements

You can use the data acquisition trigger system to synchronize the timing of the voltage and current data acquisition with an external trigger source. Then use the FETCh commands to return different calculations from the data acquired by the measurement trigger. The following measurement trigger sources can be selected:

| | |
|-----------------|---|
| BUS | selects GPIB bus triggers. |
| EXTernal | selects the external Trigger In BNC connector. |
| TTLTrg | selects the signal driving the Trigger Out BNC connector. |

SCPI Triggering Nomenclature

As previously explained under "Triggering Output Changes", the ac source uses the following sequence name and alias for the measurement trigger system. This alias can be used instead of the sequence form.

| Sequence Form | Alias |
|---------------|---------|
| SEquence3 | ACQuire |

Measurement Trigger System Model

Figure 4-2 is a model of the measurement trigger system. The rectangular boxes represent states. The arrows show the transitions between states. These are labeled with the input or event that causes the transition to occur.

4 - Programming Examples

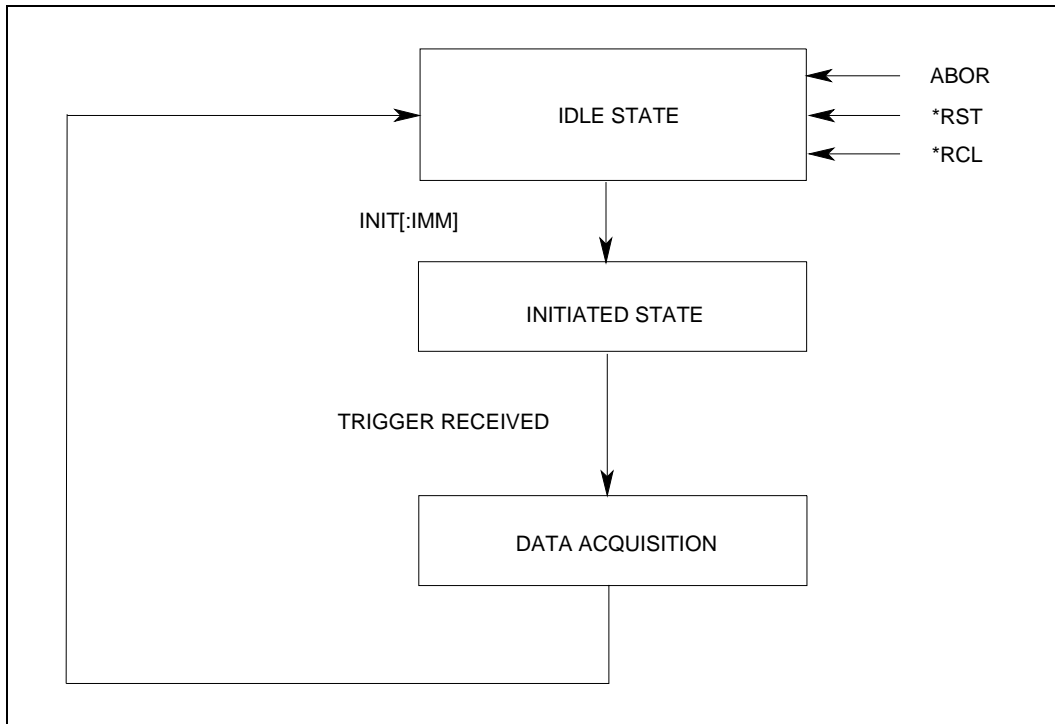


Figure 4-3. Model of Measurement Triggers

Initiating the Measurement Trigger System

When the ac source is turned on, the trigger system is in the idle state. In this state, the trigger system ignores all triggers. Sending the following commands at any time returns the trigger system to the Idle state:

```
ABORT  *RST  *RCL
```

The INITiate commands move the trigger system from the Idle state to the Initiated state. This enables the ac source to receive triggers. To initiate for a measurement trigger, use:

```
INITiate:IMMEDIATE:SEQUENCE3  or  
INITiate:IMMEDIATE:NAME ACQUIRE
```

After a trigger is received and the data acquisition completes, the trigger system will return to the Idle state. Thus it will be necessary to initiate the system each time a triggered acquisition is desired.

NOTE: You cannot initiate measurement triggers continuously. Otherwise, the measurement data in the data buffer would continuously be overwritten by each triggered measurement.

Selecting the Measurement Trigger Source

The trigger system is waiting for a trigger signal in the Initiated state. Before you generate a trigger, you must select a trigger source. To select the external Trigger In BNC as the source, use:

```
TRIGGER:SEQUENCE3:SOURCE EXTERNAL  or  
TRIGGER:ACQUIRE:SOURCE EXTERNAL
```

To select GPIB bus triggers (group execute trigger, device trigger, or *TRG command), use:

```
TRIGger:SEQuence3:SOURce BUS      or
TRIGger:ACQuire:SOURce BUS
```

To select the signal driving the Trigger Out BNC connector, use:

```
TRIGger:SEQuence3:SOURce TTLTrg   or
TRIGger:ACQuire:SOURce TTLTrg
```

Generating Measurement Triggers

Providing that you have specified the appropriate trigger source, you can generate triggers as follows:

- ◆ By sending one of the following over the GPIB:

```
TRIGger:SEQuence3:IMMediate
TRIGger:ACQuire:IMMediate
*TRG
```

a group execute trigger

- ◆ By applying a signal with a high-to-low transition to the Trig In BNC connector.
- ◆ By generating an output transient that causes the Trig Out BNC connector to output a pulse.
- ◆ By pressing the front panel Trigger key when the unit is operating in local mode.

Controlling the Instantaneous Voltage and Current Data Buffers

Varying the Voltage and Current Sampling Rate

At *RST, the output voltage and current sampling rate is 40kHz (period = 25 μ s). This means that it takes about 100 milliseconds to fill up 4096 data points in the voltage and current data buffers with the information required to make a measurement calculation. You can vary this data sampling rate with:

```
SENSe:SWEep:TINterval <sample period>
```

The sample period can be programmed from a minimum period of 25 microseconds (the default), to 250 microseconds in 25 microsecond steps.

Pre-event and Post-event Triggering

The ac source continuously samples the instantaneous output voltage and current. While this is happening, you can move the block of data that is being read into the voltage and current buffers with respect to the data acquisition trigger. This permits pre-event or post-event data sampling. To offset the starting point of the data buffer relative to the acquisition trigger, use:

```
SENSe:SWEep:OFFSet:POINts <offset>
```

The range for this offset is 4096 to 2E9 points. As shown in the following figure, when the offset is negative, the values at the beginning of the data record represent samples taken prior to the trigger. When the value is 0, all of the values are taken after the trigger. Values greater than zero can be used to program a delay time from the receipt of the trigger until the data points that are entered into the buffer are valid. (Delay time = Offset X Sample period).

4 - Programming Examples

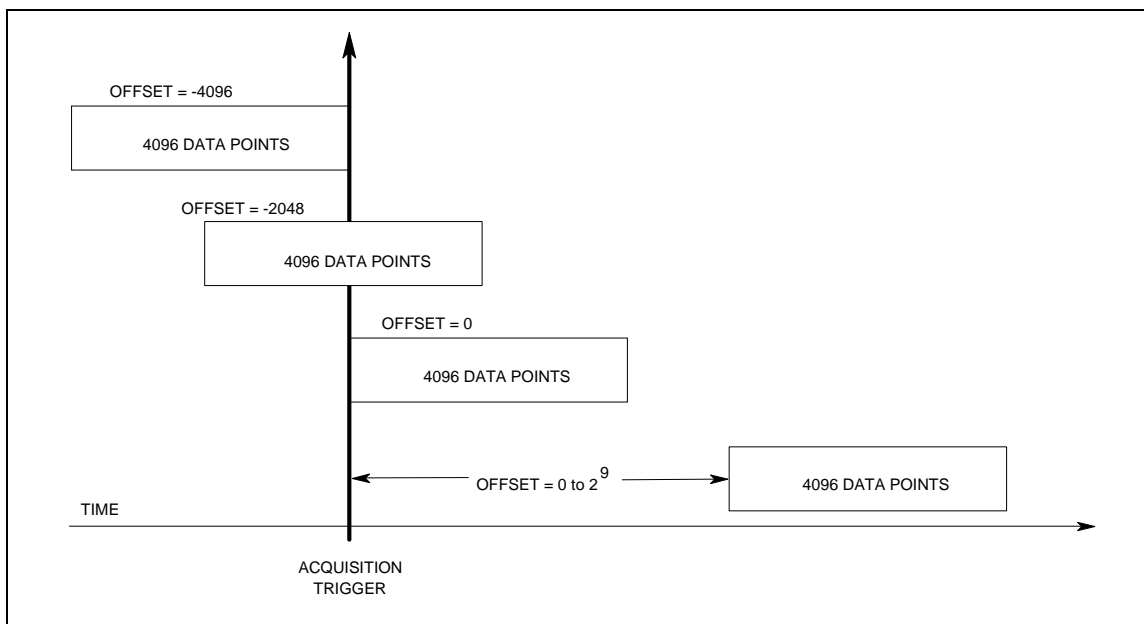


Figure 4-4. Pre-event and Post-event Triggering

Programming the Status Registers

You can use status register programming to determine the operating condition of the ac source at any time. For example, you may program the ac source to generate an interrupt (assert SRQ) when an event such as a current limit occurs. When the interrupt occurs, your program can then act on the event in the appropriate fashion.

Figure 4-5 shows the status register structure of the ac source. Table 4-1 defines the status bits. The Standard Event, Status Byte, and Service Request Enable registers and the Output Queue perform standard GPIB functions as defined in the IEEE 488.2 Standard Digital Interface for Programmable Instrumentation. The Operation Status, Questionable Status, and Questionable Instrument Summary Status registers implement functions that are specific to the ac source.

Power-On Conditions

Refer to the *RST command description in Chapter 3 for the power-on conditions of the status registers.

Operation Status Group

The Operation Status registers record signals that occur during normal operation. The group consists of the following registers:

| Register | Command | Description |
|------------|-------------------|--|
| Condition | STAT:OPER:COND? | A register that holds real-time status of the circuits being monitored. It is a read-only register. |
| PTR Filter | STAT:OPER:PTR <n> | A positive transition filter that functions as described under STAT:OPER:NTR PTR commands in Chapter 3. It is a read/write register. |

| | | |
|------------|---------------------|--|
| NTR Filter | STAT:OPER:NTR <n> | A negative transition filter that functions as described under STAT:OPER:NTR PTR commands in Chapter 3. It is a read/write register. |
| Event | STAT:OPER:EVEN? | A register that latches any condition that is passed through the PTR or NTR filters. It is a read-only register that is cleared when read. |
| Enable | STAT:OPER:ENAB? <n> | A register that functions as a mask for enabling specific bits from the Event register. It is a read/write register. |

The outputs of the Operation Status register group are logically-ORed into the OPER(ation) summary bit (7) of the Status Byte register.

Table 4-1. Bit Configuration of Status Registers

| Bit | Signal | Meaning |
|--|----------|--|
| Operation Status Group | | |
| 0 | CAL | Interface is computing new cal constants |
| 5 | WTG | Interface is waiting for a trigger |
| 8 | CV | The output voltage is regulated |
| Questionable and Questionable Instrument Isummary Status Groups | | |
| 0 | OV | The overvoltage protection circuit has tripped |
| 1 | OCP | The overcurrent protection circuit has tripped |
| 2 | SOA | The safe operating area protection has tripped (Agilent 6811B/6812B/6813B) The |
| 3 | UNR | output is unregulated |
| 4 | OT | An overtemperature condition has occurred |
| 9 | RI | The remote inhibit state is active |
| 10 | CLpeak | The peak current limit circuit is active (Agilent 6811B/6812B/6813B) |
| 11 | Rail | The rail protection circuit has tripped (Agilent 6811B/6812B/6813B) The rail is unregulated (Agilent 6814B/6834B/6843A) |
| 12 | CLrms | The rms current limit circuit is active |
| 13 | Isum | Summary of QUES:INST:ISUM registers (Agilent 6834B) |
| 14 | MeasOvld | Current measurement exceeded capability of low range (Agilent 6811B/6812B/6813B) |
| Standard Event Status Group | | |
| 0 | OPC | Operation complete |
| 2 | QYE | Query error |
| 3 | DDE | Device-dependent error |
| 4 | EXE | Execution error |
| 5 | CME | Command error |
| 7 | PON | Power-on |
| Status Byte and Service Request Enable Registers | | |
| 3 | QUES | Questionable status summary bit |
| 4 | MAV | Message Available summary bit |
| 5 | ESB | Event Status Summary bit |
| 6 | MSS | Master Status Summary bit |
| | RQS | Request Service bit |
| 7 | OPER | Operation status summary bit |

4 - Programming Examples

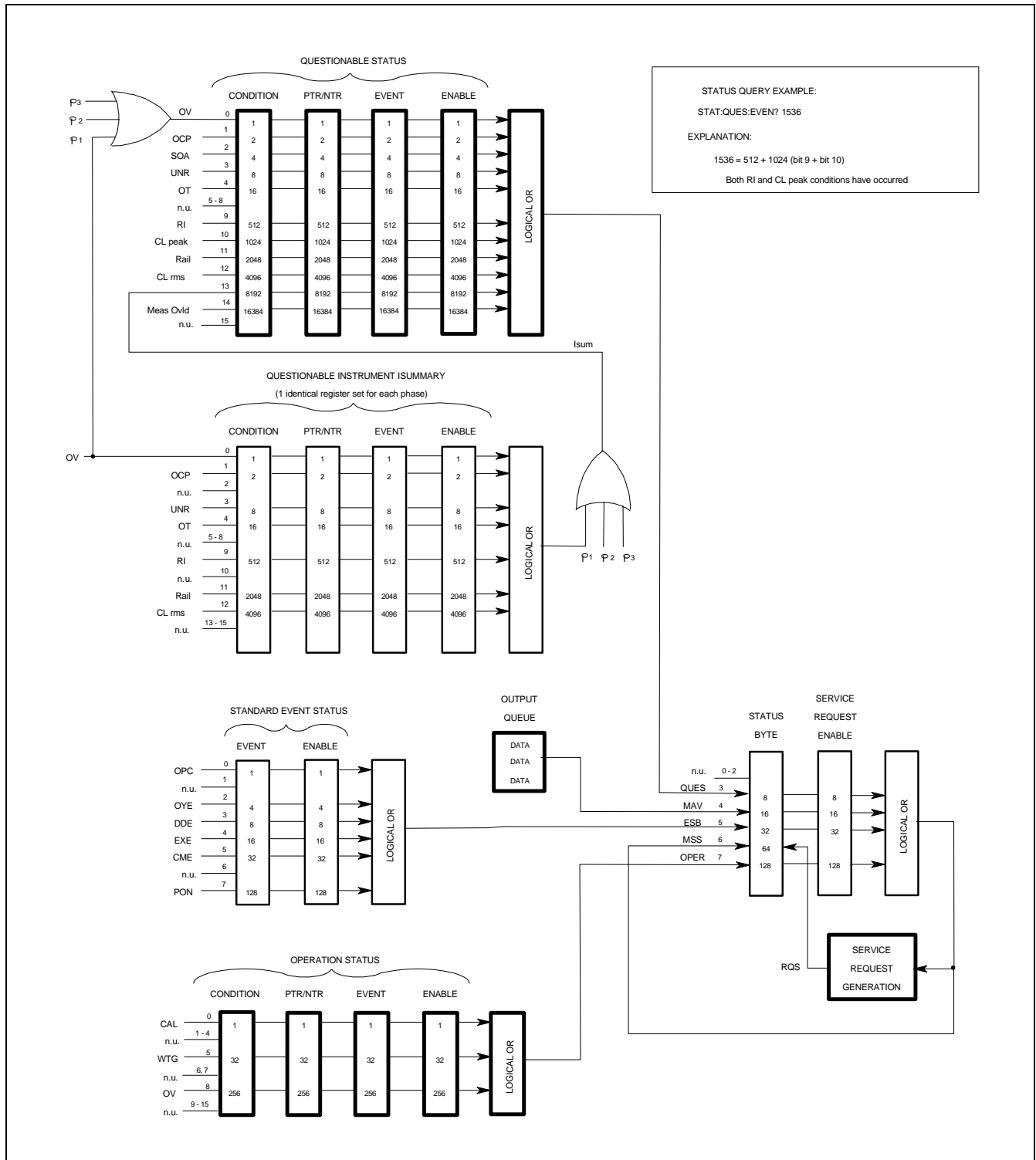


Figure 4-5. Ac Source Status Model

Questionable Status Group

The Questionable Status registers record signals that indicate abnormal operation of the ac source. As shown in the figure 4-5, the group consists of the same type of registers as the Status Operation group.

| Register | Command | Description |
|------------|---------------------|--|
| Condition | STAT:QUES:COND? | A register that holds real-time status of the circuits being monitored. It is a read-only register. |
| PTR Filter | STAT:QUES:PTR <n> | A positive transition filter that functions as described under STAT:QUES:NTR PTR commands in Chapter 3. It is a read/write register. |
| NTR Filter | STAT:QUES:NTR <n> | A negative transition filter that functions as described under STAT:QUES:NTR PTR commands in Chapter 3. It is a read/write register. |
| Event | STAT:QUES:EVEN? | A register that latches any condition that is passed through the PTR or NTR filters. It is a read-only register that is cleared when read. |
| Enable | STAT:QUES:ENAB? <n> | A register that functions as a mask for enabling specific bits from the Event register. It is a read/write register. |

The outputs of the Questionable Status group are logically-ORed into the QUESTIONable summary bit (3) of the Status Byte register.

NOTE: In a **three-phase ac source**, each signal that is fed into the Questionable Status Condition register is logically-ORed from three corresponding status signals that originate from each phase. Figure 4-5 illustrates this for the OV bit; the same illustration also applies to the other bits in the Condition register.

Questionable Instrument Isummary Status Group

Although only one group of Questionable Instrument Isummary Status registers is shown in figure 4-4, there are actually three identical register groups. With the exception of bit 13, the register structure is the same as the Questionable Status group. These three register groups monitor the status signals of each individual phase of the three-phase ac source. To determine which phase of the ac source is currently selected, use:

```
INSTRument:NSElect?
```

To set or read the status registers of another phase, first use:

```
INSTRument:NSElect <n>
```

where <n> is the phase number. Then send the appropriate register commands.

4 - Programming Examples

| Register | Command | Description |
|------------|-------------------------------|--|
| Condition | STAT:QUES:INST:ISUM:COND? | A register that holds real-time status of the circuits being monitored. It is a read-only register. |
| PTR Filter | STAT:QUES:INST:ISUM:PTR <n> | A positive transition filter that functions as described under STAT:QUES:INST:ISUM:NTR PTR commands in Chapter 3. It is a read/write register. |
| NTR Filter | STAT:QUES:INST:ISUM:NTR <n> | A negative transition filter that functions as described under STAT:QUES:INST:ISUM:NTR PTR commands in Chapter 3. It is a read/write register. |
| Event | STAT:QUES:INST:ISUM:EVEN? | A register that latches any condition that is passed through the PTR or NTR filters. It is a read-only register that is cleared when read. |
| Enable | STAT:QUES:INST:ISUM:ENAB? <n> | A register that functions as a mask for enabling specific bits from the Event register. It is a read/write register. |

The outputs of the Questionable Instrument Isummary Status group are logically-ORed into the Isum bit (13) of the Questionable Condition register.

Standard Event Status Group

This group consists of an Event register and an Enable register that are programmed by Common commands. The Standard Event register latches events relating to interface communication status (see figure 4-5). It is a read-only register that is cleared when read. The Standard Event Enable register functions similarly to the enable registers of the Operation and Questionable status groups.

Command Action

- *ESE - programs specific bits in the Standard Event Enable register.
- *PSC ON - clears the Standard Event Enable register at power-on.
- *ESR? - reads and clears the Standard Event register.

The PON (Power On) Bit

The PON bit in the Standard Event register is set whenever the ac source is turned on. The most common use for PON is to generate an SRQ at power-on following an unexpected loss of power. To do this, bit 7 of the Standard Event Enable register must be set so that a power-on event registers in the ESB (Standard Event Summary Bit). Bit 5 of the Service Request Enable register must be set to permit an SRQ to be generated, and *PSC OFF must be sent. The commands to accomplish these conditions are:

- *PSC OFF
- *ESE 128
- *SRE 32

Status Byte Register

This register summarizes the information from all other status groups as defined in the *IEEE 488.2 Standard Digital Interface for Programmable Instrumentation*. The bit configuration is shown in Table 4-1.

| Command | Action |
|---------------|---|
| *STB? - | reads the data in the register but does not clear it (returns MSS in bit 6) |
| serial poll - | reads and clears the data in the register (returns RQS in bit 6) |

The MSS Bit

This is a real-time (unlatched) summary of all Status Byte register bits that are enabled by the Service Request Enable register. MSS is set whenever the ac source has one or more reasons for requesting service. *STB? reads the MSS in bit position 6 of the response but does not clear any of the bits in the Status Byte register.

The RQS Bit

The RQS bit is a latched version of the MSS bit. Whenever the ac source requests service, it sets the SRQ interrupt line true and latches RQS into bit 6 of the Status Byte register. When the controller does a serial poll, RQS is cleared inside the register and returned in bit position 6 of the response. The remaining bits of the Status Byte register are not disturbed.

The MAV bit and Output Queue

The Output Queue is a first-in, first-out (FIFO) data register that stores ac source-to-controller messages until the controller reads them. Whenever the queue holds one or more bytes, it sets the MAV bit (4) of the Status Byte register.

Examples

Determining the Cause of a Service Interrupt

You can determine the cause for an SRQ by the following actions:

Step 1 Determine which summary bits are active. Use:

*STB? or
serial poll

Step 2 Read the corresponding Event register for each summary bit to determine which events caused the summary bit to be set. Use:

STATus:QUESTionable:EVENT?
STATus:OPERation:EVENT?
ESR?

When an Event register is read, it is cleared. This also clears the corresponding summary bit.

Step 3 Remove the specific condition that caused the event. If this is not possible, the event may be disabled by programming the corresponding bit of the status group Enable register or NTR|PTR filter. A faster way to prevent the interrupt is to disable the service request by programming the appropriate bit of the Service Request Enable register.

4 - Programming Examples

Servicing Questionable Status Events

This example assumes you want a service request generated whenever the ac source's overvoltage, overcurrent, or overtemperature circuits have tripped. From figure 4-5, note the required path for Questionable Status conditions at bits 0, 1, and 4 to generate a service request (RQS) at the Status Byte register. The required register programming is as follows:

Step 1 Program the Questionable Status PTR register to allow a positive transition at bits 0, 1, or 4 to be latched into the Status Event register. Use:

```
STATus:QUEStionable:PTR 19 (1 + 2 + 16 = 19)
```

Step 2 Program the Questionable Status Enable register to allow the latched events to be summed into the QUES summary bit. Use:

```
STATus:QUEStionable:ENABle 19
```

Step 3 Program the Service Request Enable register to allow the QUES summary bit from the Status Byte register to generate RQS. Use:

```
*SRE 8
```

Step 4 When you service the request, read the event register to determine which Questionable Status Event register bits are set and clear the register for the next event. Use:

```
STATus:QUEStionable:EVENT?
```

Monitoring Both Phases of a Status Transition

You can monitor a status signal for both its positive and negative transitions. For example, to generate RQS when the ac source either enters the CLrms (rms current limit) condition or leaves that condition, program the Questionable Status PTR/NTR filter as follows:

```
STATus:QUEStionable:PTR 4096;NTR 4096
```

```
STATus:QUEStionable:ENABle 4096;*SRE 8
```

The PTR filter will cause the QUES summary bit to set RQS when CLrms occurs. When the controller subsequently reads the event register with STATus:QUEStionable:EVENT?, the register is cleared. When CLrms subsequently goes false, the NTR filter causes the QUES summary bit to again set RQS.

Programming the Trigger In and Trigger Out BNC Connectors

The ac source has two bnc connectors labeled Trigger In and Trigger Out (see figure 4-6). Refer to "Operating Characteristics" in appendix A of the User's Guide for the electrical parameters.

Trigger In BNC

This chassis-referenced digital input can be selected as a source for transient or measurement triggers. This allows an action to be synchronized to an external signal. The trigger is recognized on a high-to-low transition of the input signal. The minimum pulse width of the signal is 1 microsecond. To select the Trigger In connector as the trigger source, use:

```
TRIGger:SEQuence1:SOURce EXTernal or
```

```
TRIGger:TRANsient:SOURce EXTernal
```

```
TRIGger:SEQuence3:SOURce EXTernal or
```

```
TRIGger:ACQuire:SOURce EXTernal
```

Trigger Out BNC

This chassis-referenced digital output can be programmed to supply a pulse output at the leading or trailing edge of a step or pulse, or at the leading edge of any point in a list sequence. The output signal is nominally a 10 microsecond low-true pulse. To enable the Trigger Out connector, use:

```
OUTPut:TTLTrg:STATe ON
```

At *RST, the Trigger Out connector is off.

To select a trigger source for the Trigger Out connector, use:

```
OUTPut:TTLTrg:SOURce BOT | EOT | LIST
```

BOT - specifies that the pulse is output at the beginning of a transient. This is the *RST setting.

EOT - specifies that the pulse is output at the end of a transient.

LIST - specifies that the pulse position is defined by the LIST:TTLTrg command.

You can also specify the Trigger Out connector as a trigger source for measurement trigger sequences. Use:

```
TRIGger:SEquence3:SOURce TTLT or
```

```
TRIGger:ACQuire:SOURce TTLT
```

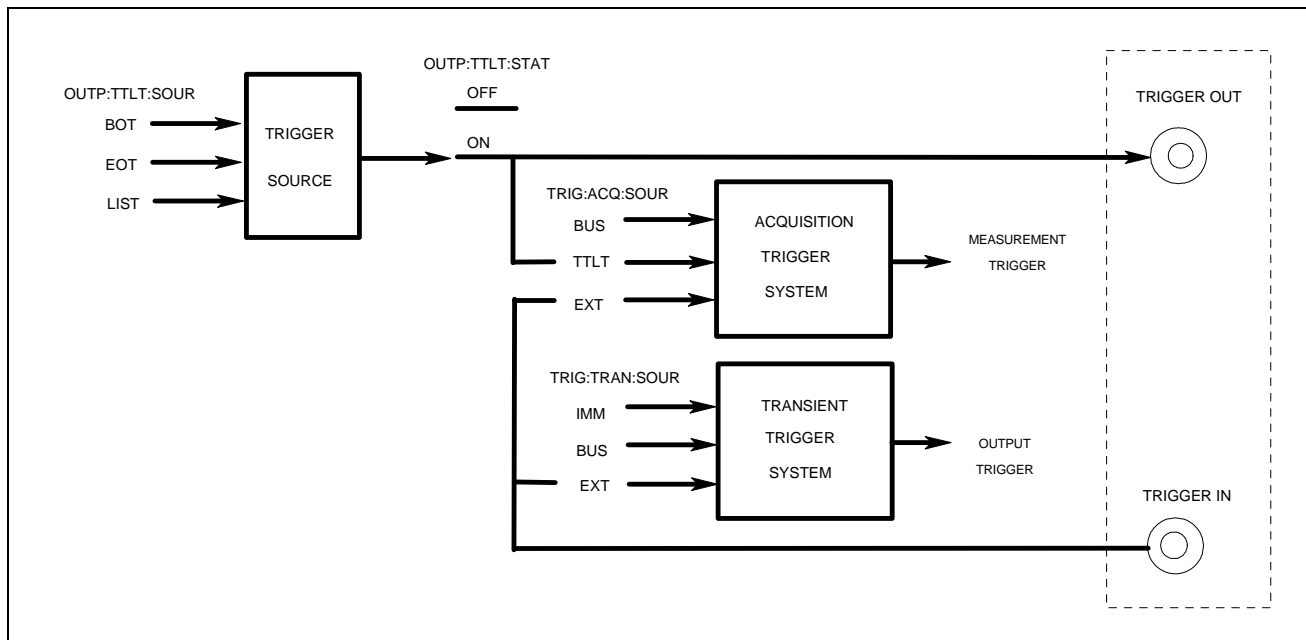


Figure 4-6. BNC Connector Trigger Model

Remote Inhibit and Discrete Fault Indicator

The remote inhibit and discrete fault indicators are implemented through the respective INH and FLT connections on the rear panel. Refer to "Operating Characteristics" in appendix A of the User's Guide for the electrical parameters.

4 - Programming Examples

Remote Inhibit (RI)

Remote inhibit is an external logic signal routed through the rear panel INH connection, which allows an external device to signal a fault. To select an operating modes for the remote inhibit signal, use:

```
OUTPut:RI:MODE LATChing | LIVE | OFF
```

- LATChing - causes a low-true signal on the INH input to disable the output. The only way to clear the latch is by sending an OUTPut:PROTection:CLear command while the INH input is false.
- LIVE - allows the RI input to disable the output in a non-latching manner. When INH is low true, the output is disabled. When INH is high, it has no effect on the output.
- OFF - disables the INH input.

Discrete Fault Indicator (DFI)

The discrete fault indicator is a chassis-referenced, open-collector logic signal connected to the rear panel FLT connection, that can be used to signal external devices when a fault condition is detected. To select the internal fault source that drives this signal, use:

```
OUTPut:DFI:SOURce QUEStionable | OPERation | ESB | RQS | OFF
```

- QUEStionable - selects the Questionable event summary bit (bit 3 of the Status Byte Register)
- OPERation - selects the Operation Event summary bit (bit 7 of the Status Byte Register)
- ESB - selects the Standard Event summary bit (bit 5 of the Status Byte Register)
- RQS - selects the Request Service bit (bit 6 of the Status Byte Register)
- OFF - selects no DFI source

To enable or disable the DFI output, use:

```
OUTPut:DFI:STATe ON | OFF
```

SCPI Command Completion

SCPI commands sent to the ac source are processed either sequentially or in parallel. Sequential commands finish execution before a subsequent command begins. Parallel commands allow other commands to begin executing while the parallel command is still executing. Commands that affect list and trigger actions are among the parallel commands.

The *WAI, *OPC, and *OPC? common commands provide different ways of indicating when all transmitted commands, including any parallel ones, have completed their operations. The syntax and parameters for these commands are described in Chapter 3. Some practical considerations for using these commands are as follows:

- *WAI - This prevents the ac source from processing subsequent commands until all pending operations are completed.
- *OPC? - This places a 1 in the Output Queue when all pending operations have completed. Because it requires your program to read the returned value before executing the next program statement, *OPC? can be used to cause the controller to wait for commands to complete before proceeding with its program.
- *OPC - This sets the OPC status bit when all pending operations have completed. Since your program can read this status bit on an interrupt basis, *OPC allows subsequent commands to be executed.

SCPI Command Tree

Command Syntax

ABORT

CALibrate

```
:CURRent
:AC
:MEASure
:DATA <n>
:IMPedance
:LEVel P1 | P2 | P3 | P4
:PASSword <n>
:PWM
:FREQuency <n>
:RAMP <n>
:SAVE
:STATe <bool> [, <n>]
:VOLTage
:AC
:DC
:OFFSet
:PROTection
:RTIME
```

DATA | TRACe

```
:CATalog?
[:DATA] <trace_name>, <n> {, <n>}
:DEFine <trace_name>[, <trace_name> | 1024]
:DELete
[:NAME] <trace_name>
```

DISPlay

```
[:WINDow]
[:STATe] <bool>
:MODE NORMal | TEXT
:TEXT
[:DATA] <display_string>
```

INITiate

```
[:IMMediate]
:SEQuence[ 1 | 3 ]
:NAME TRANSient | ACQuire
:CONTinuous
:SEQuence[1] <bool>
:NAME TRANSient, <bool>
```

INSTRument

```
:COUPle ALL | NONE
:NSElect 1 | 2 | 3
:SElect OUTPut1 | OUTPut2 | OUTPut3
```

FETCH | MEASure

```
[:SCALar]
:CURRent
[:DC]?
:AC?
:ACDC?
:AMPLitude
:MAX?
:CREStfactor?
:HARMonic
[:AMPLitude]? <n>
:PHASe? <n>
:THD?
:NEUTral
[:DC]?
:AC?
:ACDC?
:HARMonic
[:AMPLitude]? <n>
:PHASe? <n>
:FREQuency?
:POWer
[:DC]?
:AC
[:REAL]?
:APParent?
:REACTive?
:PFACtor?
:TOTal?
:VOLTage
[:DC]?
:AC?
:ACDC?
:HARMonic
[:AMPLitude]? <n>
:PHASe? <n>
:THD?
:ARRay
:CURRent
[:DC]?
:HARMonic
[:AMPLitude]?
:PHASe?
:NEUTral
[:DC]?
:HARMonic
[:AMPLitude]?
:PHASe?
:VOLTage
[:DC]?
:HARMonic
[:AMPLitude]?
:PHASe?
```

A - SCPI Command Tree

OUTPut

```

[:STATe] <bool>
:COUPLing DC | AC
:DFI
    [:STATe] <bool>
    :SOURce QUES | OPER | ESB | RQS | OFF
:IMPedance
    [:STATe] <bool>
    :REAL <n>
    :REACTive <n>
:PON
    :STATe RST | RCL0
:PROTection
    :CLEar
    :DELAy <n>
:RI
    :MODE LATCHing | LIVE | OFF
:TTLTrg
    [:STATe] <bool>
    :SOURce BOT | EOT | LIST

```

SENSE

```

:CURRent
    :ACDC
        :RANGe
            [:UPPEr] <n>
:SWEEp
    :OFFSet
        :POINTs <n>
    :TINTerval <n>
:WINDow
    [:TYPE] KBESsel | RECTangular

```

[SOURce:]

```

CURRent
    [:LEVel]
        [:IMMediate]
            [:AMPLitude] <n>
    :PEAK
        [:IMMediate] <n>
        :MODE FIXed | STEP | PULSe | LIST
        :TRIGgered <n>
    :PROTection
        :STATe <bool>

```

FREQuency

```

[:CW | :IMMediate] <n>
:MODE FIXed | STEP | PULSe | LIST
:SLEW
    [:IMMediate] <n> | INFIInity
    :MODE FIXed | STEP | PULSe | LIST
    :TRIGgered <n> | INFIInity
:TRIGgered <n>

```

FUNCTION

```

[:SHAPE]
    [:IMMediate] SINusoid | SQUare | CSINusoid | <user>
    :MODE FIXed | STEP | PULSe | LIST
    :TRIGgered SINusoid | SQUare | CSINusoid | <user>
    :CSINusoid <n> [THD]

```

LIST

```

:COUNT <n> | INFIInity
:CURRent <n> {, <n>}
    :POINTs?
:DWELl <n> {, <n>}
    :POINTs?
:FREQuency
    [:LEVel] <n> {, <n>}
        :POINTs?
    :SLEW <n> {, <n>}
        :POINTs?
:PHASe <n> {, <n>}
    :POINTs?
:SHAPE <shape> {, <shape>}
    :POINTs?
:STEP ONCE | AUTO
:TTLTrg <bool> {, <bool>}
    :POINTs?
:VOLTage
    [:LEVel] <n> {, <n>}
        :POINTs?
    :SLEW <n> {, <n>}
        :POINTs?
    :OFFSet <n> {, <n>}
        :POINTs?
    :SLEW <n> {, <n>}
        :POINTs?

```

PHASe

```

[:IMMediate | :ADJust] <n>
:MODE FIXed | STEP | PULSe | LIST
:TRIGgered <n>

```

PULSe

```

:COUNT <n> | INFIInity
:DCYCLE <n>
:HOLD WIDTH | DCYCLE
:PERiod <n>
:WIDTh <n>

```

VOLTage

```

[:LEVel]
    [:IMMediate]
        [:AMPLitude] <n>
    :TRIGgered
        [:AMPLitude] <n>
:SENSe | :ALC
    :DETEctor RTIME | RMS
    :SOURce INT | EXT
:MODE FIXed | STEP | PULSe | LIST
:OFFSet <n>
    [:IMMediate] <n>
    :MODE FIXed | STEP | PULSe | LIST
    :TRIGgered <n>
    :SLEW
        [:IMMediate] <n> | INFIInity
        :MODE FIXed | STEP | PULSe | LIST
        :TRIGgered <n> | INFIInity
:PROTection
    [:LEVel] <n>
    :STATe <bool>
:RANGe 150 | 300
:SLEW
    [:IMMediate] <n> | INFIInity
    :MODE FIXed | STEP | PULSe | LIST
    :TRIGgered <n> | INFIInity

```


STATus

```

:OPERation
  [:EVENT]?
  :CONDition?
  :ENABle <n>
  :NTRansition <n>
  :PTRansition <n>
:PRESet
:QUESTionable
  [:EVENT]?
  :CONDition?
  :ENABle <n>
  :NTRansition <n>
  :PTRansition <n>
:INSTrument
  :ISUMmary
    [:EVENT]?
    :CONDition?
    :ENABle <n>
    :NTRansition <n>
    :PTRansition <n>

```

SYSTem

```

:CONFigure
  :NOUTputs 1 | 3
:ERRor?
:VERsion?
:LANGuage SCPI | E9012
:LOCal
:REMote
:RWLock

```

TRIGger

```

[:TRANSient | :SEQuence1]
  [:IMMediate]
  :SOURce BUS | EXTernal | IMMEDIATE
  :DELay <n>
:SYNChonize | :SEQuence2
  :SOURce PHASe | IMMEDIATE
  :PHASe <n>
:ACQuire | :SEQuence3
  [:IMMediate]
  :SOURce BUS | EXTernal | TTLTrg
:SEQuence1
  :DEFine TRANSient
:SEQuence2
  :DEFine SYNChronize
:SEQuence3
  :DEFine ACQuire

```

SCPI Common Commands

```

*CLS      *IDN?      *PSC <bool> *SAV <value> *TRG
*ESE <value> *OPC      *PSC?      *SRE <value> *TST?
*ESE?     *OPC?     *RCL <value> *SRE?      *WAI
*ESR?     *OPT?     *RST      *STB?

```


SCPI Conformance Information

The ac source responds to SCPI Version 1992.0

SCPI Confirmed Commands

| | |
|---------------------------------|---------------------------------|
| ABOR | [SOUR]:VOLT:ALC SENS:SOUR |
| CAL:DATA | [SOUR]:VOLT[:LEV][:IMM][:AMPL] |
| CAL:STAT | [SOUR]:VOLT[:LEV][:TRIG][:AMPL] |
| DISP[:WIND][:STAT] | [SOUR]:VOLT:MODE |
| DISP[:WIND]:TEXT[:DATA] | [SOUR]:VOLT:PROT[:AMPL] |
| INIT[:IMM] | [SOUR]:VOLT:RANG |
| INIT[:IMM]:SEQ NAME | [SOUR]:VOLT:SLEW[:IMM] |
| INIT:CONT:SEQ NAME | STAT:OPER[:EVEN]? |
| INST:COUP | STAT:OPER:COND? |
| INST:NSEL | STAT:OPER:ENAB |
| MEAS FETC[:SCAL]:CURR[:DC]? | STAT:OPER:NTR |
| MEAS FETC[:SCAL]:CURR:AC? | STAT:OPER:PTR |
| MEAS FETC[:SCAL]:FREQ? | STAT:PRES |
| MEAS FETC[:SCAL]:POW[:DC]? | STAT:QUES[:EVEN]? |
| MEAS FETC[:SCAL]:POW:AC:REAL? | STAT:QUES:COND? |
| MEAS FETC[:SCAL]:VOLT[:DC]? | STAT:QUES:ENAB |
| MEAS FETC[:SCAL]:VOLT:AC? | STAT:QUES:NTR |
| MEAS FETC:ARR:CURR[:DC]? | STAT:QUES:PTR |
| MEAS FETC:ARR:VOLT[:DC]? | STAT:QUES:INST:ISUM[:EVEN]? |
| OUTP[:STAT] | STAT:QUES:INST:ISUM:COND? |
| OUTP:COUP | STAT:QUES:INST:ISUM:ENAB |
| OUTP:IMP[:STAT] | STAT:QUES:INST:ISUM:NTR |
| OUTP:PROT:CLE | STAT:QUES:INST:ISUM:PTR |
| OUTP:PROT:DEL | SYST:ERR? |
| OUTP:TTLT[:STAT] | SYST:LANG |
| SENS:CURR:ACDC:RANG[:UPP] | SYST:VERS? |
| SENS:SWE:OFFS:POIN | TRAC DATA:CAT? |
| SENS:SWE:TINT | TRAC DATA[:DATA] |
| SENS:WIND | TRAC DATA:DEF |
| [SOUR]:CURR[:LEV][:IMM][:AMPL] | TRAC DATA:DEL[:NAME] |
| [SOUR]:CURR:PROT:STAT | TRIG[:SEQ1 :TRAN][:IMM] |
| [SOUR]:FREQ:CW :IMM] | TRIG[:SEQ1 :TRAN]:DEL |
| [SOUR]:FREQ:MODE | TRIG[:SEQ1 :TRAN]:SOUR |
| [SOUR]:FUNC[:SHAP][:IMM] | TRIG:SEQ2 SYNC:SOUR |
| [SOUR]:LIST:COUN | TRIG:SEQ3 ACQ[:IMM] |
| [SOUR]:LIST:CURR | TRIG:SEQ3 ACQ:SOUR |
| [SOUR]:LIST:CURR:POIN? | TRIG:SOUR |
| [SOUR]:LIST:DWEL | |
| [SOUR]:LIST:DWEL:POIN? | *CLS |
| [SOUR]:LIST:FREQ[:LEV] | *ESE *ESE? *ESR? |
| [SOUR]:LIST:FREQ[:LEV]:POIN? | *IDN? |
| [SOUR]:LIST:VOLT[:LEV] | *OPC *OPC? *OPT? |
| [SOUR]:LIST:VOLT[:LEV]:POIN? | *PSC *PSC? |
| [SOUR]:PHAS[:IMM] | *RCL *RST |
| [SOUR]:PULS:COUN | *SAV *SRE *STB? |
| [SOUR]:PULS:DCYC | *TRG *TST? |
| [SOUR]:PULS:HOLD | *WAI |
| [SOUR]:PULS:PER | |
| [SOUR]:PULS:WIDT | |

Non SCPI Commands

CAL:CURR:AC
 CAL:CURR:DC
 CAL:LEV
 CAL:PASS
 CAL:PWM:FREQ
 CAL:PWM:RAMP
 CAL:SAVE
 CAL:VOLT:AC
 CAL:VOLT:DC
 CAL:VOLT:OFFS
 DISP[:WIND]:MODE
 MEAS | FETC[:SCAL]:CURR:ACDC?
 MEAS | FETC[:SCAL]:CURR:AMPL:MAX?
 MEAS | FETC[:SCAL]:CURR:CRES?
 MEAS | FETC[:SCAL]:CURR:HARM[:AMPL]?
 MEAS | FETC[:SCAL]:CURR:HARM:PHAS?
 MEAS | FETC[:SCAL]:CURR:HARM:THD?
 MEAS | FETC[:SCAL]:CURR:NEUT[:DC]?
 MEAS | FETC[:SCAL]:CURR:NEUT:AC?
 MEAS | FETC[:SCAL]:CURR:NEUT:DC?
 MEAS | FETC[:SCAL]:CURR:NEUT:ACDC?
 MEAS | FETC[:SCAL]:CURR:NEUT:HARM[:AMPL]?
 MEAS | FETC[:SCAL]:CURR:NEUT:HARM:PHAS?
 MEAS | FETC[:SCAL]:POW:AC:APP?
 MEAS | FETC[:SCAL]:POW:AC:REAC?
 MEAS | FETC[:SCAL]:POW:AC:PFAC?
 MEAS | FETC[:SCAL]:POW:AC:TOT?
 MEAS | FETC[:SCAL]:VOLT:ACDC?
 MEAS | FETC[:SCAL]:VOLT:HARM[:AMPL]?
 MEAS | FETC[:SCAL]:VOLT:HARM:PHAS?
 MEAS | FETC[:SCAL]:VOLT:HARM:THD?
 MEAS | FETC:ARR:CURR:HARM[:AMPL]?
 MEAS | FETC:ARR:CURR:HARM:PHAS?
 MEAS | FETC:ARR:CURR:NEUT[:DC]?
 MEAS | FETC:ARR:CURR:NEUT:HARM[:AMPL]?
 MEAS | FETC:ARR:CURR:NEUT:HARM:PHAS?
 MEAS | FETC:ARR:VOLT:HARM[:AMPL]?
 MEAS | FETC:ARR:VOLT:HARM:PHAS?
 OUTP:DFI[:STAT]
 OUTP:DFI:SOUR
 OUTP:IMP:REAL
 OUTP:IMP:REAC
 OUTP:RI:MODE
 OUTP:TTLT:SOUR
 [SOUR]:CURR:PEAK[:IMM]
 [SOUR]:CURR:PEAK:MODE
 [SOUR]:CURR:PEAK:TRIG
 [SOUR]:FREQ:SLEW[:IMM]
 [SOUR]:FREQ:SLEW:MODE
 [SOUR]:FREQ:SLEW:TRIG
 [SOUR]:FREQ:TRIG
 [SOUR]:FUNC[:SHAP]:MODE
 [SOUR]:FUNC[:SHAP]:TRIG
 [SOUR]:FUNC[:SHAP]:CSIN
 [SOUR]:LIST:FREQ:SLEW
 [SOUR]:LIST:FREQ:SLEW:POIN?
 [SOUR]:LIST:PHAS
 [SOUR]:LIST:PHAS:POIN?
 [SOUR]:LIST:SHAP
 [SOUR]:LIST:SHAP:POIN?
 [SOUR]:LIST:STEP
 [SOUR]:LIST:TTLT
 [SOUR]:LIST:TTLT:POIN?
 [SOUR]:LIST:VOLT:SLEW
 [SOUR]:LIST:VOLT:SLEW:POIN?
 [SOUR]:LIST:VOLT:OFFS
 [SOUR]:LIST:VOLT:OFFS:POIN?
 [SOUR]:PHAS:MODE
 [SOUR]:PHAS:TRIG
 [SOUR]:VOLT:ALC | SENS:DET
 [SOUR]:VOLT:OFFS[:IMM]
 [SOUR]:VOLT:OFFS:MODE
 [SOUR]:VOLT:OFFS:TRIG
 [SOUR]:VOLT:SLEW:MODE
 [SOUR]:VOLT:SLEW:TRIG
 SYST:CONF:NOUT
 SYST:LOC
 SYST:REM
 SYST:RWL
 TRIG:SEQ2 | SYNC:PHAS
 TRIG:SEQ:DEF

Error Messages

Error Number List

This appendix gives the error numbers and descriptions that are returned by the ac source. Error numbers are returned in two ways:

- ◆ Error numbers are displayed on the front panel
- ◆ Error numbers and messages are read back with the SYSTem:ERRor? query. SYSTem:ERRor? returns the error number into a variable and returns two parameters, an NR1 and a string.

The following table lists the errors that are associated with SCPI syntax errors and interface problems. It also lists the device dependent errors. Information inside the brackets is not part of the standard error message, but is included for clarification. When errors occur, the Standard Event Status register records them in bit 2, 3, 4, or 5:

Table C-1. Error Numbers

| Error # | Error String [Description/Explanation/Examples] |
|---------|--|
| | Command Errors –100 through –199 (sets Standard Event Status Register bit #5) |
| –100 | Command error [generic] |
| –101 | Invalid character |
| –102 | Syntax error [unrecognized command or data type] |
| –103 | Invalid separator |
| –104 | Data type error [e.g., "numeric or string expected, got block data"] |
| –105 | GET not allowed |
| –108 | Parameter not allowed [too many parameters] |
| –109 | Missing parameter [too few parameters] |
| –112 | Program mnemonic too long [maximum 12 characters] |
| –113 | Undefined header [operation not allowed for this device] |
| –121 | Invalid character in number [includes "9" in octal data, etc.] |
| –123 | Numeric overflow [exponent too large; exponent magnitude >32 k] |
| –124 | Too many digits [number too long; more than 255 digits received] |
| –128 | Numeric data not allowed |
| –131 | Invalid suffix [unrecognized units, or units not appropriate] |
| –138 | Suffix not allowed |
| –141 | Invalid character data [bad character, or unrecognized] |
| –144 | Character data too long |
| –148 | Character data not allowed |
| –150 | String data error |
| –151 | Invalid string data [e.g., END received before close quote] |
| –158 | String data not allowed |
| –160 | Block data error |
| –161 | Invalid block data [e.g., END received before length satisfied] |
| –168 | Block data not allowed |

C - Error Messages

| | |
|---------|--|
| -170 | Expression error |
| -171 | Invalid expression |
| -178 | Expression data not allowed |
| | Execution Errors –200 through –299 (sets Standard Event Status Register bit #4) |
| -200 | Execution error [generic] |
| -221 | Settings conflict [check current device state] |
| -222 | Data out of range [e.g., too large for this device] |
| -223 | Too much data [out of memory; block, string, or expression too long] |
| -224 | Illegal parameter value [device-specific] |
| -225 | Out of memory |
| -270 | Macro error |
| -272 | Macro execution error |
| -273 | Illegal macro label |
| -276 | Macro recursion error |
| -277 | Macro redefinition not allowed |
| | System Errors –300 through –399 (sets Standard Event Status Register bit #3) |
| -310 | System error [generic] |
| -350 | Too many errors [errors beyond 9 lost due to queue overflow] |
| | Query Errors –400 through –499 (sets Standard Event Status Register bit #2) |
| -400 | Query error [generic] |
| -410 | Query INTERRUPTED [query followed by DAB or GET before response complete] |
| -420 | Query UNTERMINATED [addressed to talk, incomplete programming message received] |
| -430 | Query DEADLOCKED [too many queries in command string] |
| -440 | Query UNTERMINATED [after indefinite response] |
| | Selftest Errors 0 through 99 (sets Standard Event Status Register bit #3) |
| 0 | No error |
| 1 | Non-volatile RAM RD0 section checksum failed |
| 2 | Non-volatile RAM CONFIG section checksum failed |
| 3 | Non-volatile RAM CAL section checksum failed |
| 4 | Non-volatile RAM WAVEFORM section checksum failed |
| 5 | Non-volatile RAM STATE section checksum failed |
| 6 | Non-volatile RAM LIST section checksum failed |
| 7 | Non-volatile RAM RST section checksum failed |
| 10 | RAM selftest |
| 11 - 31 | DAC selftest error, expected <n>, read <reading> Errors 11, 12, 13, 14, 15 apply to DAC12 1A and 1B Errors 16, 17, 18 apply to DAC12 2A Errors 19, 20, 21 apply to DAC12 2B Errors 22, 23 apply to DAC12 4A Errors 24, 25 apply to DAC12 4B Errors 26, 27, 28 apply to DAC12 3A and 3B Errors 29, 30, 31 apply to DAC12 5A and 5B |
| 40 | Voltage selftest error, output 1 |
| 41 | Voltage selftest error, output 2 |
| 42 | Voltage selftest error, output 3 |
| 43 | Current selftest error, output 1 |

| | |
|-----|---|
| 44 | Current selftest error, output 2 |
| 45 | Current selftest error, output 3 |
| 70 | Fan voltage failure |
| 80 | Digital I/O selftest error |
| | Device-Dependent Errors 100 through 32767 (sets Standard Event Status Register bit #3) |
| 200 | Outgrd not responding |
| 201 | Front panel not responding |
| 210 | Ingrd receiver framing error |
| 211 | Ingrd uart overrun status |
| 212 | Ingrd received bad token |
| 213 | Ingrd receiver buffer overrun |
| 214 | Ingrd input buffer overrun |
| 215 | Outgrd output buffer overrun |
| 216 | RS-232 receiver framing error |
| 217 | RS-232 receiver parity error |
| 218 | RS-232 receiver overrun error |
| 219 | Ingrd inbuf count sync error |
| 220 | Front panel uart overrun |
| 221 | Front panel uart framing |
| 222 | Front panel uart parity |
| 223 | Front panel buffer overrun |
| 224 | Front panel timeout |
| 401 | CAL switch prevents calibration |
| 402 | CAL password is incorrect |
| 403 | CAL not enabled |
| 404 | Computed readback cal constants are incorrect |
| 405 | Computed programming cal constants are incorrect |
| 406 | Incorrect sequence of calibration commands |
| 600 | Systems in mode:list have different list lengths |
| 601 | Requested voltage and waveform exceeds peak voltage capability |
| 602 | Requested voltage and waveform exceeds transformer volt-second rating |
| 603 | Command only applies to RS-232 interface |
| 604 | Trigger received before requested number of pre-trigger readings |
| 605 | Requested RMS current too high for voltage range |
| 606 | Waveform data not defined |
| 607 | VOLT, VOLT:SLEW, and FUNC:SHAP modes incompatible |
| 608 | Measurement overrange |
| 609 | Output buffer overrun |
| 610 | Command cannot be given with present SYST:CONF setting |

Elgar Model 9012 Compatibility

Elgar Model 9012 Plug-in Programmer Compatibility

The ac source interface has a language switch command that allows it to emulate the Elgar Model 9012 Plug-in Programmer. The command to switch languages is:

```
SYSTem:LANGUage SCPI | E9012
```

The language selection is stored in non-volatile memory and is retained after power-off. Regardless of which language is selected, the current selection can be queried using

```
SYSTem:LANGUage?
```

When E9012 is selected, all SCPI commands are disabled and the interface responds only to Elgar commands. Many ac source features which do not have corresponding Elgar commands are disabled in this mode, as are their front panel controls. The basic capabilities of the Elgar PIP are control of voltage, frequency, and current limit, and readback of frequency, rms voltage, current, and power. Transient capabilities include dropout and some phase synchronization of the output voltage changes.

Main Board W1 Jumper Option Emulation

Some Elgar 9012 programming commands are affected by the installation of an "alternate" W1 jumper configuration. This behavior can be programmed in E9012 language using the following command:

```
JUMPer1 NORMal | ALTernate
```

The JUMPer1 setting is stored in non-volatile memory and is retained after power off. The jumper affects the phase synchronization of the PEAK, ZERO, and DROP commands.

Syntax Compatibility

The instrument accepts a superset of Elgar of the E9012 PIP commands. It should correctly accept any command string that the Elgar PIP accepts. However, it is less strict in checking white space between headers and arguments, and it accepts more combinations of commands within a single message unit. Any number of Elgar commands can be combined into a single program message unit. The command separator is a comma, and serves the same purpose as the semicolon in SCPI. The format of query responses is identical to that of the E9012 PIP. The response terminator is a newline with EOI asserted.

Status Model

In E9012 language, status information is provided through the serial poll response byte and the error queue. The error queue operates as it does in SCPI language, providing error status of selftest and other runtime errors. The SYSTem:ERRor? query operates identically in SCPI and E9012 languages.

The E9012 language provides an abbreviated status model consisting entirely of the serial poll response byte. Other SCPI status registers (questionable, operation, and standard event) are not defined for this language. The serial poll responses are limited to the following:

| Byte | Serial Poll Response |
|------|--|
| 64 | SOA, Overtemperature, or Rail fault has tripped |
| 67 | Overvoltage protection has tripped |
| 71 | Overcurrent protection has tripped on phase 1 |
| 72 | Overcurrent protection has tripped on phase 2 |
| 73 | Overcurrent protection has tripped on phase 3 |
| 74 | Syntax error |
| 75 | Command error (value out of range, improper mode, etc) |
| 76 | Query interrupted, query unterminated, or deadlocked error |
| 78 | Measurement error |
| 79 | Measurement complete |

Reading the serial poll response byte clears it to 0. There is no queue of responses, so the value read will indicate the most recent event.

Power-on State

The ac power source is set to the E9012 power-on state when any of the following occur.

- ◆ The power source is turned on with the E9012 language selected.
- ◆ The SYST:LANG E9012 command is given and the language had been set to SCPI.
- ◆ A GPIB Device Clear or Selected Device Clear command is sent to the power source while the E9012 language was selected.

The power-on state in E9012 language is equivalent to giving the following commands:

| Command | Description |
|----------|--|
| VOLTS 0 | 0V output voltage |
| CURL 0 | over-current protection disabled, current limit set to MAX |
| FREQ 400 | 400Hz output frequency |
| RNG 0 | low voltage range |
| RNGF 2 | frequency range to 1200Hz |
| CLS | output relay closed |

All power source functions not set by the above commands go to the state defined by the SCPI *RST command, with the following exceptions:

```
OUTPut:STATe ON
VOLT:SENSe:SOURce EXTernal
VOLT:SENSe:DETEctor RMS
```

Protection

The SOA fault, overtemperature, rail fault, overvoltage, and overcurrent protection features are operational in E9012 language and are reported through the serial poll response byte. Clearing the protection latch is done by programming an output voltage using the VOLTS command.

There is no command to set the overvoltage threshold in E9012 language. The value is fixed at MAXimum (500V). The overcurrent protection can be enabled by programming a non-zero value for the current limit. Setting the value to 0 disables overcurrent protection and sets the current limit function to allow maximum load current.

Front Panel Operation

Many front panel keys are re-defined when E9012 language is selected.

System Keys

The Local, Address, and Error keys are identical in SCPI and E9012 languages. The Recall and Save keys are not operational in E9012 language.

Function Keys

The Meter, Harmonic, Index, Phase Select, and Output on/off keys are identical in SCPI and E9012 languages. The Output, Phase, Protect, Status, Shape, Trigger and List keys are not operational in E9012 language.

Voltage key functions:

| Display Format | Description |
|----------------|---------------------------|
| VOLTS <value> | Set AC output voltage |
| RNG <value> | Set voltage range (0 1) |

Current key functions:

| Display Format | Description |
|----------------|---|
| CURL <value> | Set current limit. A value of 0 turns off over-current protection |

Freq key functions:

| Display Format | Description |
|----------------|----------------------------------|
| FREQ <value> | Set output frequency |
| RNGF <value> | Set frequency range (0, 1, or 2) |

D - Elgar Model 9012 Compatibility

Input key functions:

| Display Format | Description |
|-----------------|--|
| INP:COUP <enum> | Set coupling for front panel measurements (AC DC ACDC) |

Trigger Control key functions:

| Display Format | Description |
|----------------|--------------------------------------|
| JUMPER1 <enum> | Set W1 emulation jumper (NORM ALT) |

Pulse key functions:

| Display Format | Description |
|----------------|---|
| DROP <value> | Dropout for <value> half cycles (JUMPER1 NORM) or for <value> full cycles (JUMPER1 ALT) |

Entry Keys

The Calibration key is not operational in E9012 language. All other Entry keys are identical in SCPI and E9012 languages.

E9012 Language Command Summary

| Command | Description |
|----------------|--|
| <Device Clear> | Set the instrument to the power-on state and clear the error queue and the serial poll response byte. |
| VOLTS <n> | Set the rms output voltage. |
| CURL <n> | Set the rms output current limit. A value of 0 disables over-current protection and sets the current limit function to allow maximum load current. |
| FREQ <n> | Sets the output frequency. |
| RNG 0 1 | Set the output voltage range. 0 = low range 1 = high range If the voltage range is changing, the output voltage is set to 0. If the voltage range is not changing, the output voltage is unaffected. |
| RNGF 0 1 2 | Set output frequency range. 0 = to 99.99Hz 1 = to 999.9Hz 2 = to 1200Hz If the frequency range is changing, the frequency is set to 60Hz for range 0, and to 400Hz for ranges 1 and 2. If the frequency range is not changing, the output frequency is unaffected. |
| CLS | Closes the output relay |
| OPN | Opens the output relay |
| LOCK | Disables fault shutdown |
| UNLK | Enables fault shutdown |

| Command | Description |
|---------------------------------|--|
| ZERO | The next voltage or frequency change is at 0 degrees phase (JUMPer1 NORMAl), or 180 degrees phase (JUMPer1 ALTErnate). The VOLTS or FREQ command must be part of the same program message unit. |
| PEAK | The next voltage or frequency change is at 90 degrees phase (JUMPer1 NORMAl), or 270 degrees phase (JUMPer1 ALTErnate). The VOLTS or FREQ command must be part of the same program message unit. |
| OVER | No action (relaxes voltage and frequency limits in Elgar PIP) |
| DROP <n> | Sets dropout for <n> half cycles (JUMPer1 NORMAl), or <n> full cycles (JUMPer1 ALTErnate). |
| OFF | Sets output voltage to 0 volts at 0 degrees phase sync. |
| ON 1 2 | Restores output voltage to previous setting before OFF was given. 0 = restores immediately, with arbitrary phase 1 = restores at 0 degrees phase sync 2 = restores at 90 degrees phase sync |
| JUMPer1 NORMAl ALTErnate | Sets emulation of Elgar main board W1 jumper option. This setting is saved in non-volatile memory and is retained after power off. This command is not available in the E9012 PIP. |
| SYSTem:LANGUage SCPI E9012 | Sets the programming language. The language setting is saved in non-volatile memory and is retained after power off. This command is not available in the E9012 PIP. |
| SYSTem:LANGUage? | Returns the selected programming language. This query is not available in the E9012 PIP. |
| SYSTem:ERRor? | Returns an error number and error string. This query is not available in the E9012 PIP. |
| TEST 0 | Returns the output frequency, format: F=nnnn.H |
| TEST 1 2 3 | Returns the rms output voltage, phase 1, 2, or 3, format: A=nnn.nV |
| TEST 4 5 6 | Returns the rms output current, phase 1, 2, or 3, format: A=nn.nnA |
| TEST 7 8 9 | Returns the output power, phase 1, 2, or 3, format: A=nnnn.W |

IEC Mode Command Summary

Introduction

The Agilent 6812B, 6813B, and 6843A ac sources are designed to operate in Normal as well as IEC mode. In Normal mode, the units respond to all of the commands that program ac source operation. Normal mode commands are documented in this Programmer's Guide. In IEC mode, when used in conjunction with the Agilent 14761A Harmonic and Flicker Emissions Tests software, ac source provides full EN 61000-3-2/EN 60555 Part 2 and EN 61000-3-3 compliance test capability. The SYSTEM CONFIGure command details the differences between Normal and IEC mode.

When an Agilent 6812B, 6813B, or 6843A ac source is being used in IEC mode, the Agilent 14761A Harmonic and Flicker Emissions Tests software handles all of the communication between the user and the ac source. The Agilent 14761A software must be loaded and running in Microsoft Windows on a personal computer that is connected to the ac source.

The IEC commands that are described in this appendix are for those users who need to directly program the IEC functions of the Agilent 14761A without using the Agilent 14761A software. Be aware that these commands will return "raw" data from the ac source. It is the programmer's responsibility to interpret the data according to the IEC standards.

Using the SENSE:CURRENT:ACDC:RANGE command

The SENSE:CURRENT:ACDC:RANGE command is documented earlier in this Programmer's Guide. When using this command in IEC mode, you must always initialize it before making any Array measurements by sending a Meas:Curr? command. For example:

```
SENSE:CURRENT:ACDC:RANGE  
MEASure:CURRENT?  
ENTER
```

Command Syntax

| | |
|--------------------|--|
| CALCulate | |
| :INTEgral | |
| :TIME <Nrf+> | selects the Pst integration time for flicker measurements |
| :LIMit | |
| :UPPer | sets various limits associated with rms voltage |
| [:DATA] <Nrf+> | fluctuation testing for IEC 1000-3-3 |
| :SMOothing <bool> | turns the 1.5 second smoothing filter on or off |
| FORMat | |
| [:DATA] <type> | specifies the response data format (ASCii REAL) |
| :BORDer <type> | sets the byte order of the floating point values returned (NORMAl SWAPped) |
| MEASure | |
| :ARRay | |
| :CURRent | |
| :HARMonic? <NRf+> | returns an array of current harmonic magnitudes |
| :VOLTage | |
| :FLUCtuations | |
| :FLICker? <NRf+> | returns rms and instantaneous flicker values |
| :PST? <NRf+> | returns Pst summary values |
| :ALL? <NRf+> | returns both rms/flicker and Pst summary values |
| SENSE | |
| :CURRent | sets the phase reference for current harmonic phase |
| :PREFErence <type> | measurements (VOLTage CURRent) |
| :WINDow | |
| [:TYPE] <type> | selects the window function used in the harmonic measurements (HANNing KBESsel RECTangular) |
| SYSTem | |
| :CONFigure <mode> | selects the operating mode of the ac source (NORMAl IEC) |

CALCulate:INTegral:TIME

This command selects the Pst integration time for IEC Flicker measurements. The parameter may only assume values of 1, 5, 10, and 15 minutes in accordance with IEC 868. The command will be accepted and may be queried, but will have no meaningful function unless the ac source is placed in IEC mode using the SYSTem:CONFigure command.

| | |
|----------------------------|--|
| Command Syntax | CALCulate:INTegral:TIME <NRf+> |
| Parameters | 1, 5, 10, & 15 minutes |
| *RST Value | 10 minutes |
| Examples | CALC:INT:TIME 10 |
| Query Syntax | CALCulate:INTegral:TIME? |
| Returned Parameters | <NR3> |
| Related Commands | SYSTEM:CONF MEAS:ARR:VOLT:FLUC:FLIC? MEAS:ARR:VOLT:FLUC:PST? MEAS:ARR:VOLT:FLUC:ALL? |

CALCulate:SMOothing

This command turns on or off a smoothing filter for current harmonic measurements. The filter transfer function is equivalent to a single pole lowpass function with a 1.5 second time constant and is applied only to current harmonic measurements made when IEC mode is selected with SYSTem:CONF.

| | |
|----------------------------|--|
| Command Syntax | CALCulate:SMOothing <Bool> |
| Parameters | 0 1 ON OFF |
| *RST Value | OFF |
| Examples | CALC:SMO ON |
| Query Syntax | CALCulate:SMOothing? |
| Returned Parameters | <CRD> |
| Related Commands | MEAS:ARR:CURR:HARM? SYST:CONF MEAS:CURR:HARM? |

CALCulate:LIMit:UPPer

This command sets various limits associated with rms voltage fluctuations testing for IEC 1000-3-3. as described in the following table. All five parameters are type NRf. The order in which the five parameters are entered must correspond to the order in the table.

| | |
|-------------------|---|
| vss delta | Sets the maximum peak-to-peak variation of relative voltage ¹ that defines “steady-state”. At *RST this value is set to 0.003 ² . Note that this number is not specified by IEC 1000-3-3. |
| dmax limit | Sets the maximum relative voltage ¹ change allowed before a dmax error is flagged. At *RST this value is set to 0.04 (see note ²). |
| dc limit | Sets the maximum relative steady-state voltage change allowed before a dc error is flagged. At *RST this value is set to 0.03 (see note ²). |
| dt tlimit | Sets the maximum time in seconds that the relative voltage ¹ can exceed the dt limit before a dt error is flagged. At *RST this value is set to 0.2 seconds. |
| dt limit | Sets the maximum relative voltage ¹ that must be exceeded for dt tlimit seconds before a dt error is flagged. At *RST this value is set to 0.03 (see note ²). |

¹The expression “relative voltage” as used above is the measured rms voltage divided by the programmed voltage.

²This value is the ratio with respect to U_n (the European nominal line voltage). For example, a value of .03 represents 6.9 volts if $U_n = 230$ volts. (Ratio * 100 = % of U_n)

Command Syntax CALCulate:LIMit:UPPer[:DATA] <NRf>,<NRf>,<NRf>,<NRf>,<NRf>
Parameters See table
***RST Value** See table
Examples CALC:LIM:UPP .003, .04, .03, .2, .03
Returned Parameters <NR3>

FORMat

This command specifies the response data format for the following queries:

```
MEASure:ARRay:CURRent:DC?
MEASure:ARRay:VOLTagE:DC?
MEASure:ARRay:CURRent:HARMonic[:AMPLitude]?
MEASure:ARRay:VOLTagE:FLUCutations:ALL?
MEASure:ARRay:VOLTagE:FLUCutations:FLICKer?
MEASure:ARRay:VOLTagE:FLUCutations:PST?
```

When ASCii is selected, the response format for these queries is NR3 Numeric Response Data. This format is selected at *RST. The only valid argument for <length> is 0, which means that the ac source selects the number of significant digits to be returned.

When REAL is selected, the response format is Definite Length Arbitrary Block Response Data. The data within the Arbitrary Block is coded as IEEE single precision floating point, with 4 bytes per value. The second argument to the FORMat:DATA command specifies the number of bits in the returned data. Only the value 32 is permitted in ac source instruments. The byte order within a single value is determined by the FORMat:BORDER command. Definite Length Arbitrary Block Response Data format begins with a header that describes the number of data bytes in the response. The header begins with a pound sign, followed by a single non-zero digit that defines the number of digits in the block length, followed by the digits contained in the block.

For example: The response to the query "MEAS:ARR:CURR:HARM? 1" which returns 45 numeric values when SYSTem:CONFIgure is set to IEC would be as follows:

```
'# '3' '1' '8' '0' <byte1> <byte2> ... <byte180> <newline>
```

When a query requests a number of response blocks, each block is separated by the Response Data Separator (comma). For example: The response to the query "MEAS:ARR:CURR:HARM? 2" given under the same conditions described in the example above would be as follows:

```
'# '3' '1' '8' '0' <byte1> <byte2> ... <byte180> ',' '# '3' '1' '8' '0' <byte1> <byte2> ... <byte180> <newline>
```

| | |
|----------------------------|---|
| Command Syntax | FORMat[:DATA] <CRD> |
| Parameters | ASCii REAL |
| *RST Value | ASCii |
| Examples | FORM REAL |
| Query Syntax | FORMat? |
| Returned Parameters | <CRD> |
| Related Commands | FORM:BORD MEAS:ARR:CURR:DC? MEAS:ARR:VOLT:DC? MEAS:ARR:CURR:HARM[:AMPL]? MEAS:ARR:VOLT:FLUC:ALL? MEAS:ARR:VOLT:FLUC:FLIC? MEAS:ARR:VOLT:FLUC:PST? |

FORMat:BORDER

This command sets the byte order of IEEE floating point values returned within Arbitrary Block Response Data. When NORMal is selected, the first byte sent is the sign bit and seven most significant bits of the exponent, and the last byte sent is the least significant byte of the mantissa. This ordering is most useful for big-endian controllers such as those that use Motorola processors.

When SWAPped is selected, the least significant byte of the mantissa is sent first and the sign bit and seven most significant bits of the exponent are sent last. This ordering is most useful for little-endian controllers such as those that use Intel processors.

| | |
|----------------------------|--|
| Command Syntax | FORMat:BORDER <CRD> |
| Parameters | NORMal SWAPped |
| *RST Value | NORMal |
| Examples | FORM:BORD SWAP |
| Query Syntax | FORMat:BORDER? |
| Returned Parameters | <CRD> |
| Related Commands | FORM[:DATA] MEAS:ARR:CURR:DC? MEAS:ARR:VOLT:DC? MEAS:ARR:CURR:HARM[:AMPL]? MEAS:ARR:VOLT:FLUC:ALL? MEAS:ARR:VOLT:FLUC:FLICker? MEAS:ARR:VOLT:FLUC:PST? |

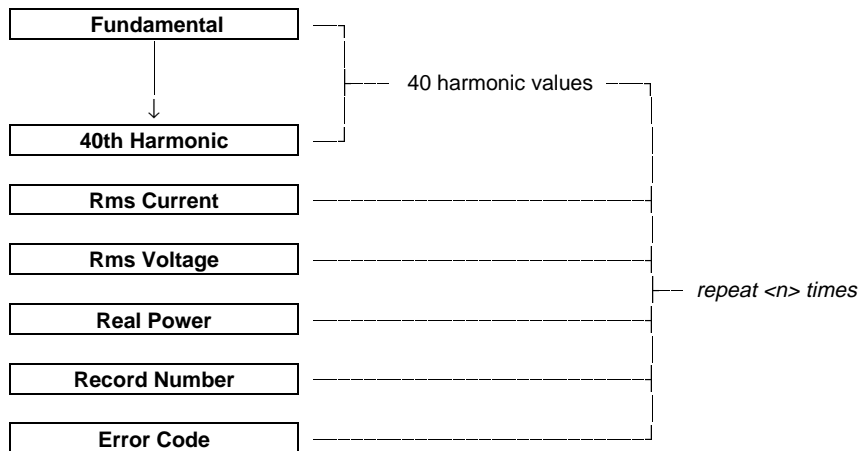
MEASure:ARRay:CURRent:HARMonic?

This query returns an array of current harmonic magnitudes. Operation of the query is modified by the SYSTem:CONF command (see summary table under SYSTem:CONFigure). The parameter specifies the number of harmonic arrays to be returned in response to the query. If SYSTem:CONFigure specifies NORMal operation, the parameter is ignored (ie it is forced to 1). If SYSTem:CONFigure specifies IEC operation, the SOURce:FREQuency and SENSE:WINDow commands are coupled to modify operation of the measurement underlying the query as shown in the following table:

| SOURce:FREQ | SENSE:WINDow | Sample Rate | Acquisition Window | Acquisition Overlap |
|-------------|--------------|-------------|--------------------|---------------------|
| 50 Hz | RECTangular | 12.8 KHz | 320 ms | None |
| 50 Hz | HANNing | 8.533 KHz | 480 ms | 50% |
| 60 Hz | RECTangular | 15.360 KHz | 266.7 ms | None |
| 60 Hz | HANNing | 7.680 KHz | 533.3 ms | 50% |

SYSTem:CONFigure also impacts availability of the RMS Current, RMS Voltage, Real Power values. If SYSTem:CONFigure is set to NORMal, these values are not available. If SYSTem:CONFigure is set to IEC, the values are returned with the harmonic data. The integration time for these values equals the acquisition window period.

IEC mode operation conforms to IEC and EN requirements for compliance testing of harmonic currents (EN 60555 Part 2 and related regulations). The ac source will accept parameters in the range shown below, however, values greater or equal to $(2^{31})-1$ will be interpreted as infinity. Record numbering begins with one. The figure below defines the structure of the data returned by this query:



Command Syntax MEASure:ARRay:CURRent:HARMonic? <NRf+>
Parameters 1 to 9.9E37
Examples MEAS:ARR:CURR:HARM? 1024
Related Commands ABORt SYST:CONF INST:NSEL SENS:WIND
 SOUR:FREQ

MEASure:ARRay:VOLTage:FLUCtuations:ALL?

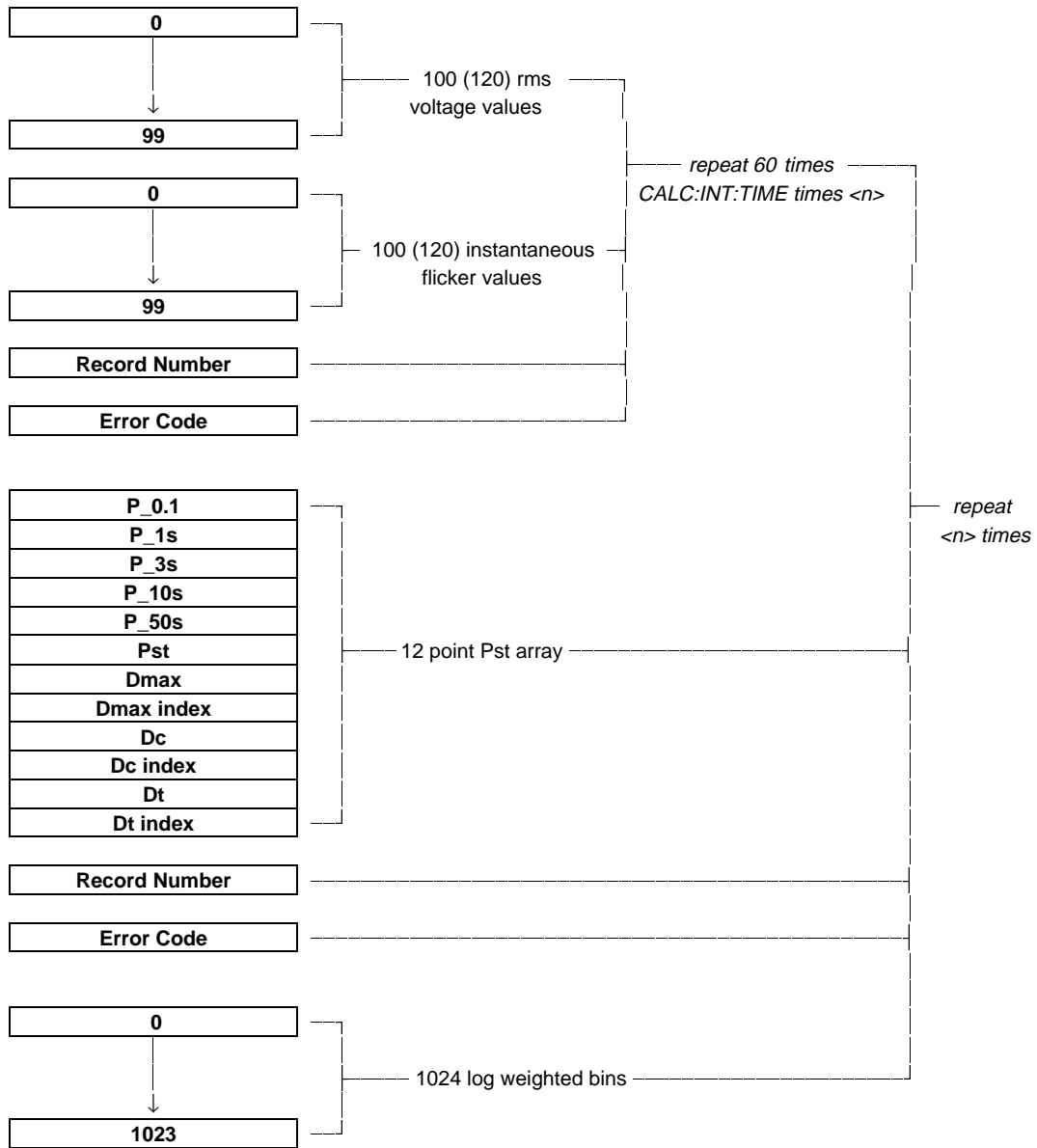
This query measures voltage fluctuations in accordance with the IEC 868 standard. It is only available when IEC mode is selected with SYSTem:CONFigure. The parameter specifies the number of Pst integration periods during which data will be returned in response to the query.

This query returns the data structures associated with both the MEAS:ARR:VOLT:FLUC:FLIC query and the MEAS:ARR:VOLT:FLUC:PST query. The Pst structure includes flicker perceptibility values for the component percentiles making up Pst, the Pst value itself, various RMS voltage values (Dmax, Dc, and Dt), together with indices for these RMS values that give their approximate location in the RMS time series for the corresponding integration period.

An additional structure consisting of a 1024 point array of bins whose indices correspond to a set of logarithmically weighted ranges of instantaneous flicker is returned for each Pst integration period. The array covers a flicker perceptibility range of 0.01 to 10000 and the individual bins contain counts equal to the accumulated number of occurrences of flicker within the bin range during the Pst integration period. RMS voltage and instantaneous flicker values are returned once a second, while Pst data and the 1024 point arrays are returned once per Pst integration period. The data is always returned in order (ie the Pst summary data immediately follows the last array of RMS voltage and flicker values for a given integration period).

The total quantity of data returned by this query is demonstrated by the following example (assuming 50Hz operation): If CALCulate:INTEgral:TIME specifies 10 minutes and <n> is set to 12, a 2 hour measurement is initiated (10 minutes times 12) and a total of 1,466,856 data points are returned (202 times 60 times 10 plus the 14 item Pst summary record plus 1024 log points all times 12 Pst integration periods).

This command is closely related to two similar commands that return different data (see MEAS:ARR:VOLT:FLUC:FLIC and MEAS:ARR:VOLT:FLUC:ALL). The figure below defines the structure of the data returned by this query:



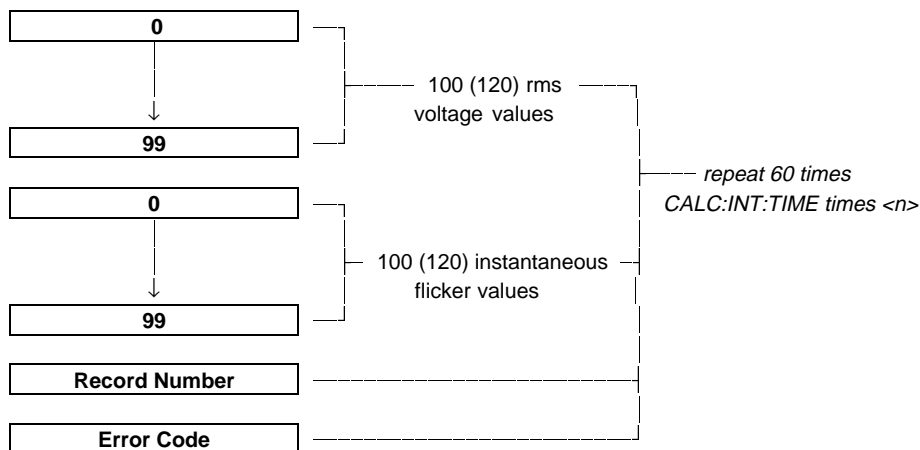
Command Syntax MEASure:ARRay:VOLTage:FLUCtuations:ALL? <NRf+>
Parameters 1 to 1008
Examples MEAS:ARR:VOLT:FLUC:ALL? 12
Returned Parameters 13,158 to 220,588,704 values
Related Commands ABORt SYSTEM:CONF INST:NSEL
 MEAS:ARR:VOLT:FLUC:PST?
 MEAS:ARR:VOLT:FLUC:ALL?

MEASure:ARRay:VOLTage:FLUCtuations:FLICKer?

This query measures voltage fluctuations in accordance with the IEC 868 standard. It is only available when IEC mode is selected with SYSTem:CONFiGure. The parameter specifies the number of Pst integration periods during which voltage fluctuation arrays will be returned in response to the query. The data contained within the arrays represents RMS voltage values integrated over successive half line cycles and the corresponding instantaneous flicker values. This query returns structured data at a rate of one packet per second, with each packet contained 202 (50Hz) or 242 (60Hz) data points, for a period of time determined by the specified CALCulate:INTEgral:TIME and the parameter specifying the number of Pst integration periods.

For example (assuming 50Hz operation): If CALCulate:INTEgral:TIME specifies 10 minutes and <n> is set to 12, a 2 hour measurement is initiated (10 minutes times 12) and 1,454,400 (202 points/sec times 60 times 10 minutes times 12) data points are returned.

This command is closely related to two similar commands that return different types of data (see MEAS:ARR:VOLT:FLUC:PST and MEAS:ARR:VOLT:FLUC:ALL). Record numbering begins with one. The figure below defines the structure of the data returned by this query:



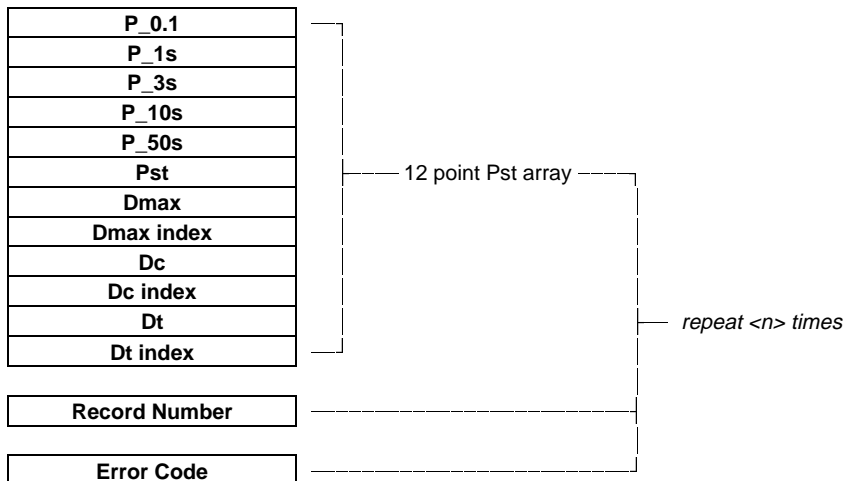
Command Syntax MEASure:ARRay:VOLTage:FLUCtuations:FLICKer? <NRf+>
Parameters 1 to 1008
Examples MEASure:ARRay:VOLTage:FLUCtuations:FLICKer? 12
Returned Parameters 12120 to 219,542,400 values
Related Commands ABORt SYSTem:CONF INST:NSEL
 MEAS:ARR:VOLT:FLUC:PST?
 MEAS:ARR:VOLT:FLUC:ALL?

MEASure:ARRay:VOLTage:FLUCtuations:PST?

This query measures voltage fluctuations in accordance with the IEC 868 standard. It is only available when IEC mode is selected with SYSTem:CONFigure. The parameter specifies the number of Pst integration periods for which data will be returned in response to the query. This query returns 1 data structure per specified integration period for a total of <n> structures.

For example: If CALCulate:INTegral:TIME specifies 10 minutes and <n> is set to 12, a 2 hour measurement is initiated (10 minutes times 12) and 12 structures are returned. Since there are 14 data points per structure, a total of 168 points are returned. The structure includes flicker perceptibility values for the component percentiles making up Pst, the Pst value itself, various RMS voltage values (Dmax, Dc, and Dt), together with indices for these RMS values that give their approximate location in the RMS time series for the corresponding integration period.

This command is closely related to two similar commands that return different types of data (see MEAS:ARR:VOLT:FLUC:FLIC and MEAS:ARR:VOLT:FLUC:ALL). Record numbering begins with one. The figure below defines the structure of the data returned by this query:



- Command Syntax** MEASure:ARRay:VOLTage:FLUCtuations:PST? <NRf+>
- Parameters** 1 to 1008
- Examples** MEAS:ARR:VOLT:FLUC:PST? 12
- Returned Parameters** 14 to 14,112 values
- Related Commands** ABORt SYSTem:CONF INST:NSEL
MEAS:ARR:VOLT:FLUC:FLIC?
MEAS:ARR:VOLT:FLUC:ALL?

SENSe:CURRent:PREFerence

This command sets the phase reference for current harmonic phase measurements. If VOLTage is selected, the reference is the fundamental component of the measured output voltage. If CURRent is selected, the reference is the fundamental component of the measured output current.

| | |
|----------------------------|--------------------------------|
| Command Syntax | SENSe:CURRent:PREFerence <CRD> |
| Parameters | VOLTage CURRent |
| *RST Value | CURRent |
| Examples | SENS:CURR:PREF CURR |
| Query Syntax | SENSe:CURRent:PREF? |
| Returned Parameters | <CRD> |
| Related Commands | ABORt MEAS:ARR:CURR:PHAS |

SENSe:WINDow

This command sets the window function which is used in harmonic measurements. The choice of parameters is affected by the SYSTem:CONF command. If NORMal is selected, HANNing, KBESsel, or RECTangular may be selected. IF IEC mode is selected, only HANNing and RECTangular may be selected. KBESsel is the preferred window and should be used for most measurements in NORMal mode. HANNing and RECTangular are available for making harmonic current measurements that comply with the regulatory requirements.

| | |
|----------------------------|--|
| Command Syntax | SENSe:WINDow [:TYPE] <window> |
| Parameters | HANNing KBESsel RECTangular |
| *RST Value | KBESsel (RECTangular is the default setting when the Agilent 14761A software is run) |
| Examples | SENS:WIND RECT |
| Query Syntax | SENSe:WINDow? |
| Returned Parameters | <CRD> |
| Related Commands | MEASure:ARRay:CURRent:HARMonic? SYSTem:CONF MEASure:CURRent:HARMonic? MEASure:ARRay:VOLTage:HARMonic? MEASure:VOLTage:HARMonic? |

SYSTem:CONFigureAgilent **6812B, 6813B, 6843A** Only

This command sets the overall operating mode of the ac source. The choices are Normal mode, which causes the product to closely mimic the operating characteristics of standard ac sources, or IEC mode, which modifies the basic behavior of the transient and measurement systems to facilitate IEC measurements. SYSTem:CONFigure has a variety of global consequences that are summarized below:

| | NORMAL MODE | IEC MODE |
|---|--|--|
| Base Sampling Rate | 39.920792 KHz | 38.400000 KHz |
| Output Frequency | DC - 1000 Hz | 50 Hz & 60 Hz Only |
| Freq/Window/Fs Mode | Independent | Coupled |
| Transient System | FIXEd/STEP/PULSe/LIST Modes | FIXEd Mode Only |
| Slew Operation | AC & DC Voltage; Frequency | AC Voltage Only |
| MEASure:ARRay:CURRENT:HARM? | DC, Fundamental, and Harmonics to 50th | Fundamental and Harmonics to 40th plus RMS Current, RMS Voltage & Real Power |
| CALCulate:SMOothing | Not/Available | 1.5 Second Smoothing on/off |
| MEASure:ARRay:VOLTage:FLUCtuations | Not/Available | FLICKer PST ALL? |
| CALCulate:INTegral:TIME | Not/Available | 1 5 10 15 MINutes |

Transmission of a SYSTem:CONFigure command implies ABORt and terminates any transient or measurement actions previously initiated.

Command Syntax SYSTem:CONFigure <CRD>
Parameters NORMal | IEC
***RST Value** NORMal
Examples SYST:CONF NORM
Query Syntax SYSTem:CONFigure?
Returned Parameters <CRD>
Related Commands ABORt MEAS:ARR:CURR MEAS:ARR:VOLT CALC:SMO
CALC:INT SENS:WIND

Index

—A—

ac voltage, 122
assigning HP-IB address in programs, 24

—B—

BNC connectors, 148

—C—

calibration subsystem, 29
 CALibrate CURRent AC, 29
 CALibrate CURRent MEASure, 30
 CALibrate DATA, 30
 CALibrate IMPedance, 30
 CALibrate LEVel, 30
 CALibrate PASSword, 31
 CALibrate PWM FREQuency, 31
 CALibrate PWM RAMP, 31
 CALibrate SAVE, 31
 CALibrate STATe, 32
 CALibrate VOLTage AC, 32
 CALibrate VOLTage DC, 32
 CALibrate VOLTage OFFSet, 33
 CALibrate VOLTage PROTection, 33
 CALibrate VOLTage RTIME, 33
 syntax, 29
character data, 23
Combing commands
 root specifier, 19
Combining commands
 from different subsystems, 19
 root specifier, 20
command completion, 150
command summary
 format, 168, 171
 border, 171
 system
 configure, 169, 171
Command tree
 active header path, 18
commands
 coupled, 20
 EN 61000-3-3, 167
common commands, 113
 *CLE, 114
 *ESE, 114
 *ESR?, 115
 *IDN?, 115
 *OPC, 115
 *OPT?, 116
 *PSC, 116
 *RCL, 116
 *RST, 117

*SAV, 118
*SRE, 118
*STB?, 119
*TRG, 119
*TST?, 119
*WAI, 120
syntax, 113

Conventions used in this manual, 17
coupled commands, 20, 127
current data
 instantaneous, 139
current limit, 125
 peak, 125
current measurements, 137
current sampling rate
 varying, 141

—D—

dc output, 126
delay, 135
DFI indicator, 149
discrete fault, 149
display subsystem, 34
 DISPlay, 34
 DISPlay MODE, 34
 DISPlay TEXT, 34
 syntax, 34
DOS driver types, 24
dwell
 specifying, 136

—E—

enabling the output, 121
error handling, 25
error numbers, 157
errors
 program execution, 25
event triggers, 141

—F—

FETCh, 137
flicker, 168, 174, 175, 176
FLT connection, 149
frequency, 122

—H—

harmonic measurements, 138, 139
headers, 21
 convention, 21
 long form, 21
 optional, 21
 separator, 21

Index

short form, 21
history, 2
HP 82335A driver, 24
HP BASIC controllers, 25
HP-IB
capabilities of ac source, 15
command library for MS DOS, 12
controller programming, 12
IEEE Std for standard codes, 12
IEEE Std for standard digital interface, 12
HP-IB Address, 15
HP-IB References, 12
HP-IB source address, 24

—I—

INH

connection, 149
instrument subsystem, 35
INSTRUMENT COUPLE, 35
INSTRUMENT NSElect, 36
INSTRUMENT SElect, 36
syntax, 35

—L—

language dictionary, 27
list transients, 131

—M—

MAV bit, 147
maximum coupled voltage, 126
maximum voltage, 122
MEASure, 137
measurement
triggers, 139
measurement subsystem
FETCh ARRAy CURRent HARMonic PHASe?, 38
FETCh ARRAy CURRent HARMonic?, 38
FETCh ARRAy CURRent NEUTral HARMonic PHASe?, 40
FETCh ARRAy CURRent NEUTral HARMonic?, 39
FETCh ARRAy CURRent NEUTral?, 39
FETCh ARRAy CURRent?, 37
FETCh ARRAy VOLTage HARMonic PHASe?, 41
FETCh ARRAy VOLTage HARMonic?, 41
FETCh ARRAy VOLTage?, 40
FETCh CURRent AC?, 43
FETCh CURRent ACDC?, 43
FETCh CURRent AMPLitude MAXimum?, 43
FETCh CURRent CRESTfactor?, 44
FETCh CURRent HARMonic PHASe?, 45
FETCh CURRent HARMonic THD?, 45
FETCh CURRent HARMonic?, 44
FETCh CURRent NEUTral AC?, 46
FETCh CURRent NEUTral ACDC?, 46
FETCh CURRent NEUTral HARMonic PHASe?, 47
FETCh CURRent NEUTral HARMonic?, 46
FETCh CURRent NEUTral?, 45

FETCh CURRent?, 42
FETCh POWer AC APParent?, 50
FETCh POWer AC PFACtor?, 50
FETCh POWer AC REACtive?, 50
FETCh POWer AC TOTal?, 51
FETCh POWer AC?, 49
FETCh POWer?, 49
FETCh VOLTage AC?, 52
FETCh VOLTage ACDC?, 53
FETCh VOLTage HARMonic PHASe?, 54
FETCh VOLTage HARMonic THD?, 54
FETCh VOLTage HARMonic?, 53
FETCh VOLTage?, 52
MEASure ARRAy CURRent HARMonic PHASe?, 38
MEASure ARRAy CURRent HARMonic?, 38
MEASure ARRAy CURRent NEUTral HARMonic PHASe?, 40
MEASure ARRAy CURRent NEUTral HARMonic?, 39
MEASure ARRAy CURRent NEUTral?, 39
MEASure ARRAy CURRent?, 37
MEASure ARRAy VOLTage HARMonic PHASe?, 41
MEASure ARRAy VOLTage HARMonic?, 41
MEASure ARRAy VOLTage?, 40
MEASure CURRent AC?, 43
MEASure CURRent ACDC?, 43
MEASure CURRent AMPLitude MAXimum?, 43
MEASure CURRent CRESTfactor?, 44
MEASure CURRent HARMonic PHASe?, 45
MEASure CURRent HARMonic THD?, 45
MEASure CURRent HARMonic?, 44
MEASure CURRent NEUTral AC?, 46
MEASure CURRent NEUTral ACDC?, 46
MEASure CURRent NEUTral HARMonic PHASe?, 47
MEASure CURRent NEUTral HARMonic?, 46
MEASure CURRent NEUTral?, 45
MEASure CURRent?, 42
MEASure POWer AC APParent?, 50
MEASure POWer AC PFACtor?, 50
MEASure POWer AC REACtive?, 50
MEASure POWer AC TOTal?, 51
MEASure POWer AC?, 49
MEASure POWer?, 49
MEASure VOLTage AC?, 52
MEASure VOLTage ACDC?, 53
MEASure VOLTage HARMonic PHASe?, 54
MEASure VOLTage HARMonic THD?, 54
MEASure VOLTage HARMonic?, 53
MEASure VOLTage?, 52
measurement subsystem, arrays, 37
syntax, 37
measurement subsystem, current, 42
syntax, 42
measurement subsystem, FETCh FREQUency?, 48
measurement subsystem, frequency, 48
syntax, 48
measurement subsystem, MEASure FREQUency?, 48
measurement subsystem, power, 49
syntax, 49
measurement subsystem, voltage, 52

- syntax, 52
- measurement system, 137
- measurement trigger system
 - initiating, 140
 - model, 139
- measurement triggers
 - generating, 141
 - selecting, 140
- message terminator, 22
 - end or identify, 22
 - newline, 22
- message unit separator, 22
- Message Units
 - combing message units, 21
- Moving among subsystems, 19
- MSS bit, 147
- multipliers, 23

—N—

- National Instruments GP-IB driver, 24
- NTR filter, 148
- numerical data formats, 23

—O—

- offset, 126
- operation status group, 142
- Optional header
 - LEVEl, 19
- Optional Headers
 - effect of, 19
- output
 - triggers, 132
- output phase measurements
 - simultaneous, 138
- output phases, 124
 - programming, 125
 - selecting, 125
- output queue, 147
- output subsystem, 55
 - OUTPut, 55
 - OUTPut COUPling, 56
 - OUTPut DFI, 56
 - OUTPut DFI SOURce, 56
 - OUTPut IMPedance, 57
 - OUTPut IMPedance REACTive, 57
 - OUTPut IMPedance REAL, 57
 - OUTPut PON STATe, 58
 - OUTPut PROTection CLear, 58
 - OUTPut PROTection DELay, 58
 - OUTPut RI MODE, 59
 - OUTPut TTLTrg, 59
 - OUTPut TTLTrg SOURce, 59
 - syntax, 55
- output transients, 128
 - model, 129
 - synchronizing, 135
- output trigger system
 - initiating, 134
 - model, 133

- output triggers
 - generating, 136
 - selecting, 134

—P—

- peak current limit, 125
- post-event triggers, 141
- power measurements, 138
- power-on bit, 146
- power-on initialization, 121
- power-on status conditions, 142
- pre-event triggers, 141
- print date, 2
- program commands
 - measure array current harmonic?, 173
 - measure array voltage fluctuations all?, 174
 - measure array voltage fluctuations flicker?, 176
 - measure array voltage fluctuations pst?, 177
 - sense current preference, 178
 - sense window, 178
 - system configure, 179
- programming commands
 - calculate integral time, 169
 - calculate limit upper, 170
 - calculate smoothing, 169
 - format, 171
 - format border, 172
- programming the output, 121
- pst integration time, 168, 169
- PTR filter, 148
- pulse transients, 130

—Q—

- quasi-stationary harmonics, 139
- queries, 20
- query indicator, 22
- questionable instrument status group, 145
- questionable instrument summary registers
 - bit configuration, 99
- questionable status condition registers
 - bit configuration, 97
- questionable status events, 148
- questionable status group, 145

—R—

- remote inhibit, 149
- RI indicator, 149
- root level, 18
- Root specifier, 22
 - combing commands, 19
- RQS bit, 147
- RS-232
 - capabilities, 15
 - data format, 15
 - program example, 16
 - troubleshooting, 16

—S—

- safety summary, 2
- sampling rate, 141
- SCPI
 - command syntax, 27
 - data formats, 23
 - subsystem commands, 28
 - triggering nomenclature, 132, 139
- SCPI command completion, 150
- SCPI command tree, 18
- SCPI common commands, 17
- SCPI message structure, 20
- SCPI message types, 17
- SCPI message unit, 20
- SCPI parser, 19
- SCPI program message, 17
- SCPI References, 12
- SCPI response message, 17
- SCPI subsystem commands, 17
- sense subsystem, 60
 - SENSE CURRENT
 - ACDC
 - RANGE, 60
 - SENSE SWEeP
 - OFFSet
 - POINTs, 61
 - TINterval, 61
 - SENSE WINDow, 61
 - syntax, 60
- service interrupt, 147
- service request
 - generating, 148
- slew rate
 - frequency, 123
 - voltage, 123
- source subsystem
 - CURRENT, 62
 - CURRENT PEAK, 63
 - CURRENT PEAK MODE, 63
 - CURRENT PEAK TRIGgered, 64
 - CURRENT PROTection STATe, 64
 - FREQuency, 65
 - FREQuency MODE, 65
 - FREQuency SLEW, 66
 - FREQuency SLEW MODE, 66
 - FREQuency SLEW TRIGgered, 66
 - FREQuency TRIGgered, 67
 - FUNction, 68
 - FUNction CSINusoid, 70
 - FUNction MODE, 69
 - FUNction TRIGgered, 69
 - LIST COUNt, 72
 - LIST CURRent, 72
 - LIST CURRent POINTs?, 72
 - LIST DWELl, 73
 - LIST DWELl POINTs?, 73
 - LIST FREQuency, 73
 - LIST FREQuency POINTs?, 74
 - LIST FREQuency SLEW, 74
 - LIST FREQuency SLEW POINTs?, 74
 - LIST PHASe, 74
 - LIST PHASe POINTs?, 75
 - LIST SHAPe, 75
 - LIST SHAPe POINTs?, 75
 - LIST STEP, 76
 - LIST TTLTrg, 76
 - LIST TTLTrg POINTs?, 76
 - LIST VOLTage, 77
 - LIST VOLTage OFFSet, 78
 - LIST VOLTage OFFSet POINTs?, 78
 - LIST VOLTage POINTs?, 77
 - LIST VOLTage SLEW, 77, 79
 - LIST VOLTage SLEW POINTs?, 78, 79
 - PHASe, 80
 - PHASe MODE, 81
 - PHASe TRIGgered, 81
 - PULSe COUNt, 82
 - PULSe DCYCLe, 82
 - PULSe HOLD, 83
 - PULSe PERiod, 84
 - PULSe WIDTh, 84
 - VOLTage, 86
 - VOLTage ALC DETector, 91
 - VOLTage ALC SOURce, 92
 - VOLTage MODE, 87
 - VOLTage OFFSet, 87
 - VOLTage OFFSet MODE, 88
 - VOLTage OFFSet SLEW, 89
 - VOLTage OFFSet SLEW MODE, 89
 - VOLTage OFFSet SLEW TRIGgered, 90
 - VOLTage OFFSet TRIGgered, 88
 - VOLTage PROTection, 90
 - VOLTage PROTection STATe, 90
 - VOLTage RANGE**, 91
 - VOLTage SENSE DETector, 91
 - VOLTage SENSE SOURce, 92
 - VOLTage SLEW, 92
 - VOLTage SLEW MODE, 93
 - VOLTage SLEW TRIGgered, 93
 - VOLTage TRIGgered, 86
- source subsystem, current, 62
 - syntax, 62
- source subsystem, frequency, 65
 - syntax, 65
- source subsystem, function, 68
 - syntax, 68
- source subsystem, list, 71
 - syntax, 71
- source subsystem, phase, 80
- source subsystem, pulse, 82
 - syntax, 82
- source subsystem, voltage, 85
 - syntax, 85
- SRQ
 - determining cause of, 147
- standard event status enable register
 - bit configuration, 114
- standard event status group, 146
- status byte register, 147
 - bit configuration, 119
- status operation registers

- bit configuration, 95
- status registers
 - programming, 142
- status subsystem, 94
 - QUESTIONable INSTRument ISUMmary CONDition?**, 100
 - QUESTIONable INSTRument ISUMmary ENABLE?**, 100
 - QUESTIONable INSTRument ISUMmary?**, 99
 - STATus OPERation CONDition?, 95
 - STATus OPERation ENABLE?, 95
 - STATus OPERation NTRansition, 96
 - STATus OPERation PTRansition, 96
 - STATus OPERation?, 95
 - STATus PRESet, 94
 - STATus QUESTIONable CONDition?, 97, 98
 - STATus QUESTIONable INSTRument ISUMmary NTRansition**, 101
 - STATus QUESTIONable INSTRument ISUMmary PTRansition**, 101
 - STATus QUESTIONable NTRansition, 98
 - STATus QUESTIONable PTRansition, 98
 - STATus QUESTIONable?, 97
 - syntax, 94
- status transition, monitoring, 148
- step transients, 130
- suffixes, 23
- system commands, 102
 - syntax, 102
 - SYSTEM CONFigure**, 102
 - SYSTEM CONFigure NOUtputs**, 103
 - SYSTEM ERRor?, 103
 - SYSTEM LANGuage, 104
 - SYSTEM LOCAl, 104
 - SYSTEM REMote, 104
 - SYSTEM RWLock, 104
 - SYSTEM VERsion?, 103
- system considerations, 24
- system errors, 157

—T—

- trace subsystem, 105
 - DATA, 105
 - DATA CATalog?, 106
 - DATA DEFine, 106
 - DATA DELete, 106
 - syntax, 105
 - TRACe, 105
 - TRACe CATalog?, 106
 - TRACe DEFine, 106
 - TRACe DELete, 106
- transients
 - programming, 128, 130, 131
 - synchronizing, 135
- trigger delay

- selecting, 135
- Trigger In, programming, 148
- Trigger Out, programming, 148
- trigger subsystem, 107
 - ABORt, 108
 - INITiate CONTInuous NAME, 109
 - INITiate CONTInuous SEQuence, 109
 - INITiate NAME, 108
 - INITiate SEQuence, 108
 - syntax, 107
 - TRIGger, 109
 - TRIGger ACQuire, 111
 - TRIGger ACQuire SOURce, 112
 - TRIGger DELay, 109
 - TRIGger SEQuence1 DEFine, 112
 - TRIGger SEQuence2 DEFine, 112
 - TRIGger SEQuence2 PHASe, 111
 - TRIGger SEQuence2 SOURce, 110
 - TRIGger SEQuence3, 111
 - TRIGger SEQuence3 DEFine, 112
 - TRIGger SEQuence3 SOURce, 112
 - TRIGger SOURce, 110
 - TRIGger SYNChronize PHASe, 111
 - TRIGger SYNChronize SOURce, 110
- triggers
 - event, 141
 - generating, 136, 141
 - measurement, 139
 - multiple, 136
 - output, 132
 - programming, 133, 134, 139, 140
 - selecting, 134, 140
 - single, 136
- Types of SCPI commands, 17

—U—

- using queries, 20

—V—

- voltage, 122
- voltage data
 - instantaneous, 139
- voltage measurements, 137
- voltage sampling rate
 - varying, 141

—W—

- waveform
 - clipped, 123
 - shapes, 123
 - square, 123
 - user defined, 123

Agilent Sales and Support Offices

For more information about Agilent Technologies test and measurement products, applications, services, and for a current sales office listing, visit our web site: <http://www.agilent.com/find/tmdir>

You can also contact one of the following centers and ask for a test and measurement sales representative.

United States:

Agilent Technologies
Test and Measurement Call Center
P.O. Box 4026
Englewood, CO 80155-4026
(tel) 1 800 452 4844

Latin America:

Agilent Technologies
Latin American Region Headquarters
5200 Blue Lagoon Drive, Suite #950
Miami, Florida 33126
U.S.A.
(tel) (305) 267 4245
(fax) (305) 267 4286

Canada:

Agilent Technologies Canada Inc.
5150 Spectrum Way
Mississauga, Ontario
L4W 5G1
(tel) 1 877 894 4414

Australia/New Zealand:

Agilent Technologies Australia Pty Ltd
347 Burwood Highway
Forest Hill, Victoria 3131
(tel) 1-800 629 485 (Australia)
(fax) (61 3) 9272 0749
(tel) 0 800 738 378 (New Zealand)
(fax) (64 4) 802 6881

Europe:

Agilent Technologies
Test & Measurement European Marketing Organisation
P.O. Box 999
1180 AZ Amstelveen
The Netherlands
(tel) (31 20) 547 9999

Asia Pacific:

Agilent Technologies
24/F, Cityplaza One, 1111 King's Road,
Taikoo Shing, Hong Kong
tel: (852)-3197-7777
fax: (852)-2506-9284

Japan:

Agilent Technologies Japan Ltd.
Measurement Assistance Center
9-1, Takakura-Cho, Hachioji-Shi,
Tokyo 192-8510, Japan
(tel) (81) 426 56 7832
(fax) (81) 426 56 7840

Technical data is subject to change.

Manual Updates

The following updates have been made to this manual since the print revision indicated on the title page.

4/15/00

All references to HP have been changed to Agilent.

All references to HP-IB have been changed to GPIB.